

# Beta

## **NEW ITEMS SEPTEMBER 2021**





# DISCOVER THE NEW RSC24!

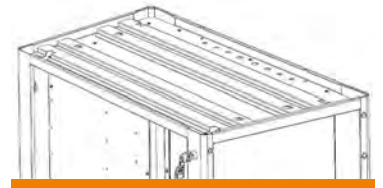
## Beta RSC24

Beta Utensili has relied on the tried-and-tested frame of the epoch-making, iconic C24S roller cab to develop the best possible product in terms of performance, equipment and durability. Exterior and interior **epoxy coating** and first-rate details, including the ball bearing slides, ensure remarkable durability.

OLD



No doubt the new worktop stands out as one of the most innovative parts: **FIRMER AND STURDIER:** as the result of the integration of two reinforcement crosspieces joined to the sheet metal surface, which has been increased to 1.5 mm, to support heavy loads;



**more convenient and functional:** thanks to the addition of eight holes for accommodating screwdrivers; **more modern:** based on its new, captivating graphic design.



NEW



**THE NEW RSC24 ROLLER CAB**  
is available in seven colour  
**combinations** and with a new,  
specially developed range of accessories,  
to make your roller cab your ideal work  
partner on a daily basis.

**ALL THE QUALITY  
A ROLLER CAB  
CAN OFFER**

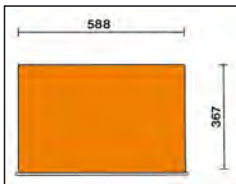


## NEW ABS REINFORCED WORKTOP

**Multi-purpose** top with anti-fall edges and eight holes for accommodating screwdrivers

**Drawer bases protected** by foamed rubber mats

**Built-in bottle holder** (can be applied on both sides)



Each drawer can accommodate up to 4 EVA foam or ABS thermoformed trays

kg  
800



## MOBILE ROLLER CAB

**Front centralized safety lock**

969 mm  
445 mm  
740 mm

**Four castors Ø 125 mm:**  
2 fixed and 2 steering (one with brake)

### The following accessories can be added:

- wood worktop
- perforated tool panel
- folding shelf
- document holder (available in anthracite grey or black)
- paper roll holder (available in anthracite grey or black)

## 5 DRAWERS

### RSC24/5

5 fully removable drawers (588x367 mm), with ball bearing slides.



kg  
60

RSC24/5-F0	RSC24/5-A	RSC24/5-B	RSC24/5-G	RSC24/5-N	RSC24/5-O	RSC24/5-R
024004050	024004057	024004056	024004052	024004059	024004051	024004053

n°	mm	Max
2	70 mm	25 kg
2	140 mm	30 kg
1	280 mm	35 kg

## 6 DRAWERS

### RSC24/6

6 fully removable drawers (588x367 mm), with ball bearing slides.



kg  
62

RSC24/6-F0	RSC24/6-A	RSC24/6-B	RSC24/6-G	RSC24/6-N	RSC24/6-O	RSC24/6-R
024004060	024004067	024004066	024004062	024004069	024004061	024004063

n°	mm	Max
4	70 mm	25 kg
1	140 mm	30 kg
1	280 mm	35 kg



# 7 DRAWERS

## RSC24/7

7 fully removable drawers (588x367 mm), with ball bearing slides.



Model	Code	Model	Code	Model	Code	Model	Code
RSC24/7-F0	024004070	RSC24/7-A	024004077	RSC24/7-B	024004076	RSC24/7-G	024004072
RSC24/7-N	024004079	RSC24/7-O	024004071	RSC24/7-R	024004073		

n°	Height	Max Weight
5	70 mm	25 kg
1	140 mm	30 kg
1	210 mm	30 kg

# 8 DRAWERS

## RSC24/8

8 fully removable drawers (588x367 mm), with ball bearing slides.



Model	Code	Model	Code	Model	Code	Model	Code
RSC24/8-F0	024004080	RSC24/8-A	024004087	RSC24/8-B	024004086	RSC24/8-G	024004082
RSC24/8-N	024004089	RSC24/8-O	024004081	RSC24/8-R	024004083		

n°	Height	Max Weight
6	70 mm	25 kg
2	140 mm	30 kg

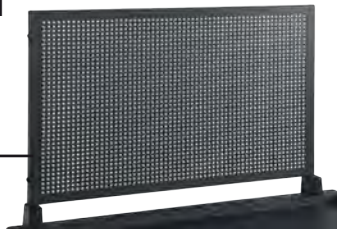
## ACCESSORIES



### 2400 RSC24/PF

Code: 024004902

Perforated tool panel with supports, for roller cab RSC24



### 2400 RSC24/PL

Code: 024004901

Wood worktop for roller cab RSC24

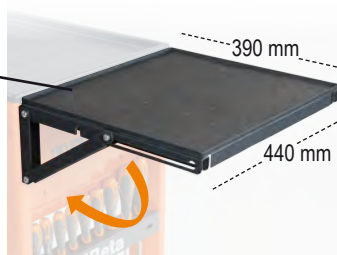


### 5000MS

Code: 050000901

Folding shelf

- For use as additional worktop
- Worktop dimensions: 390x440 mm, protected by an anti-oil and anti-petrol rubber mat
- Load capacity: 20 kg.



### 2400 RSC24/PD

Document holder, for roller cabs RSC24

Color	Code
ANTHRACITE	024004907
BLACK	024004908



### 2400 RSC24/PC

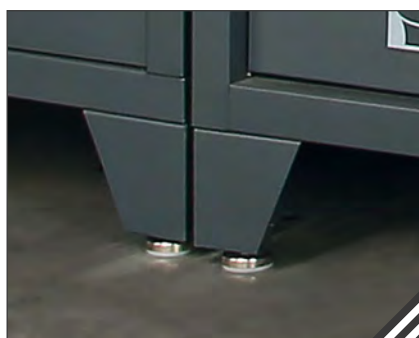
Paper roll holder

Color	Code
ANTHRACITE	024004903
BLACK	024004904

# PROFESSIONAL STURDY TIDY

## **Beta** **C45PRO**

**THE NEW COLOUR**, anthracite grey RAL7016, and the new matt finish have translated into a unique, one-of-a-kind product. Beta's chrome-plated logos and the new aluminium handle with orange insert help make the C45PRO workshop equipment look modern and even more captivating.



Vertically adjustable feet



The new aluminium handle

### **C45PRO IS THE PROFESSIONAL WORKSHOP EQUIPMENT**

that helps you make the most of your working space.

Based on the new 2021 design and the technical improvements developed for the frame, it boasts an excellent quality/price ratio.

**THE WORKSHOP EQUIPMENT,  
C45, HAS CHANGED  
ITS APPEARANCE AND PUT  
ON THE BETA COLOURS!**





# NEW DESIGN 2021



## C45PRO

Combination comprising:

- Fixed module with 7 drawers
- Fixed service module
- Mobile roller cab with 7 drawers
- Two-door tool cabinet
- 3 perforated tool panels
- 3 wall-mounted cabinets
- 3 wall brackets, wide type
- 1 wall bracket, narrow type



## C45PRO X

045000001

- Worktop made of stainless steel coated MDF

kg  
305



## C45PRO W

045000002

- Multi-ply wood worktop

kg  
303



2000 mm  
495 mm  
2955 mm

## C45PRO A

Combination comprising:

- Fixed module with 7 drawers
- Fixed service module
- Fixed two-door module
- 3 wall-mounted cabinets
- 3 perforated tool panels
- 2 wall brackets, wide type
- 2 wall brackets, narrow type



2000 mm  
495 mm  
2040 mm

## C45PRO AX

045000003

- Worktop made of stainless steel coated MDF

kg  
206



## C45PRO AW

045000004

- Multi-ply wood worktop

kg  
204

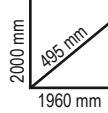




## C45PRO B

Combination comprising:

- Fixed module with 5 drawers
- Fixed two-door module
- Single-door cabinet
- 2 wall-mounted cabinets
- 2 perforated tool panels
- 2 wall brackets, wide type
- 1 wall bracket, narrow type



### C45PRO BX

045000021

- Worktop made of coated MDF stainless steel



### C45PRO BW

045000022

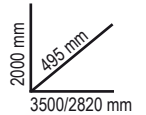
- Multi-ply wood worktop



## C45PRO B

Combination comprising:

- 1 fixed module with 7 drawers
- 1 mobile roller cab with 7 drawers
- 1 fixed service module
- 1 fixed module with 5 drawers
- 1 fixed module with 2 doors
- 5 perforated tool panels
- 5 wall-mounted cabinets
- 7 wall brackets, wide type
- 2 wall brackets, narrow type
- 2 single-door tool cabinets



### C45PRO DX

045000031

- 1 worktop made of stainless steel coated MDF 2,0 m
- 1 worktop made of stainless steel coated MDF 1,3 m
- 1 self-supporting complete corner with stainless steel coated MDF worktop



### C45PRO DW

045000032

- 1 multi-ply wood worktop 2 m
- Multi-ply wood worktop 1,3 m
- 1 self-supporting complete corner with wood worktop



# Beta BRUTUS

**C48M**

048000230



## Electric platform cart, with panels

- Motorized platform, with 24V - 400W motor with 2x12V 33Ah battery supply and Curtis control card.
- Loading floor made from sturdy steel, coated with non-slip rubber, with round tubular panels preventing objects from falling during transport.
- The panels can be removed, to cater to individual transportation requirements.
- Fitted with 2 pneumatic traction wheels (Ø 260 mm) and 2 swivelling rubber wheels (Ø 150mm), electromagnetic brake and differential gear.
- Supplied with an external battery charger, 220V/50Hz - V/A 24/12e.

**FROM NOW ON...  
YOU WILL SAVE TIME AND EFFORT!**

Compact dimensions and versatile use make the C48M platform cart the ideal solution for handling heavy loads (boxes, containers, bulky objects, parts of equipment) in the **POWER-ASSISTED MODE** in complete safety, including in hardly accessible areas and in work environments which cannot be accessed via conventional forklift trucks. This results in significantly **REDUCED HAZARDS** for operators - e.g. musculoskeletal disorders caused by manual handling of loads.



### The control console is equipped with the following:

- ① ignition key
- ② speed adjusting knob
- ③ side butterfly handles for traction control
- ④ intermittent beep, which is activated when moving in reverse
- ⑤ battery charge indicator
- ⑥ electric brake cut-out button
- ⑦ emergency mushroom head button.

**SPEED ADJUSTABLE  
FROM 4 TO 6 km/h**

**GO AROUND AS LONG AS YOU LIKE!  
UP TO 4 HOURS BATTERY LIFE**

### FUNCTIONAL SPECIFICATIONS

- Carrying capacity: 400 kg
- Driving speed: 4-6 km/h (adjustable)
- Battery life: 4 hours
- Maximum permitted slope with a full load: 6%
- Maximum permitted slope with 100 kg load: 18%

### SAFETY DEVICES:

- Electronic brake
- Buzzer
- Anti-crushing guard
- Battery charge indicator
- Curtis control cart

### TECHNICAL SPECIFICATIONS

- Overall dimensions: 1280x630x1100h mm
- Useful dimensions of loading platform with panels: 1180x580 mm
- Useful dimensions of loading platform without panels: 1260x620 mm
- Height of loading platform from floor: 320 mm
- Height of battery compartment from floor: 65 mm
- Weight with batteries: 140 kg



**2001/BZV**

020010151

**Tool case**

made from durable technical fabric

- Double upper handle for optimal hold
- Large front document pocket with zip closure
- 20 convenient tool compartments (6 pockets and 14 elastic bands)
- Hammer loops
- Shoulder strap C9/RT can also be included (to be ordered separately)



380x290x60 mm



Velcro strap at the back, for fixing the tool case to the trolley handle



**2001/BZ24 MQ**

020010154

**Folding tool case with assortment of 24 tools, for electricians**

**2001/BZ27 VU**

020010157

**Folding tool case with assortment of 27 tools, for universal use**



24x



27x

**Quantity/Description**

- 1 electrician's scissors, straight blades
- 1 combination pliers 1000V ≡ 180 mm
- 5 combination wrenches 8-10-13-17-19 mm
- 3 screwdrivers for headless slotted screws, 1000V
  - 3x100 - 4x100 - 5,5x125 mm
- 3 screwdrivers for cross head Phillips® screws, 1000V
  - PH0x60 - PH1x80 - PH2x100 mm
- 9 ball head offset hexagon key wrenches burnished
  - 1,5-2-2,5-3-4-5-6-8-10 mm
- 1 mains testing screwdriver ●
- 1 diagonal cutting nippers 1000V ⚡ 160 mm

**Beta N.**

- 1128BMX
- 1150MQ
- 42NEW
- 1274MQ
- 1272MQ
- 96BP/SC9
- 1253
- 1082MQ

**Quantity/Description**

- 1 electrician's scissors, straight blades
- 1 half-round needle nose pliers ≡ 180 mm
- 6 combination wrenches 7-8-10-13-17-19 mm
- 3 screwdriver for slotted head screws ● 3x75 - 4x100 - 5,5x150 mm
- 3 screwdriver for cross head Phillips® screws
  - PH0x60 - PH1x80 - PH2x100 mm
- 9 offset hexagon key wrenches ○ 1,5-2-2,5-3-4-5-6-8-10 mm
- 1 engineer's hammer 300 g
- 1 Slip joint pliers boxed joints 250 mm
- 1 measuring tape 5 m
- 1 snap - off blade utility knife 18 mm

**Beta N.**

- 1128BMX
- 1150
- 42NEW
- 1201E
- 1202E
- 96/SC9
- 1370
- 1048
- 1692/5
- 1771

**C3**

021030000

**Mini tool bag,**  
made from technical fabric

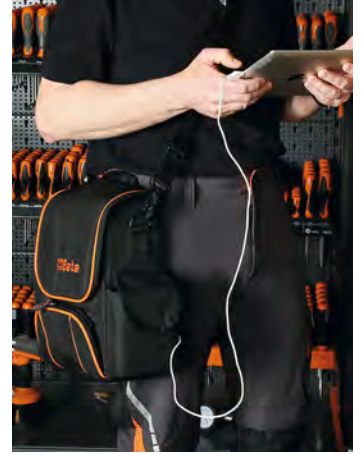
Main features:

- 1 exterior front pocket with zip closure
- 2 side pockets with tote trays
- 1 convenient rear pocket with Velcro closure
- 1 removable interior tool panel, with elastic bands on both sides
- Complete with shoulder strap



330x320x150 mm

**kg**  
890



**A MINI TOOL BAG TO ALWAYS  
BRING WITH YOU!**



USB interface for charging mobile devices



**COMBO**

**COMBO IS BETA'S  
MODULAR SYSTEM**

**COMBO ABS tool case,**  
with transparent cover

Main features:

- Transparent cover made from sturdy polycarbonate for quick identification of contents
- Interior dimensions: 378x313x61 mm
- Max. interior carrying capacity: 25 kg
- Can be padlocked
- Weight: 2.5 kg

*The tool cases can be easily joined to each other by a simple click, through the functional side snap-on mechanism. The tool cases can be combined as you like, depending on your requirements.*

**The system, Beta Combo C99V0, is compatible with the L-BOXX standard by Sortimo®.**

**C99V0**

099000202

**kg**  
25



445x358x118 mm

**kg**  
2,5

**C99V0-P12**

099000200

**kg**  
25



- Particularly suitable for carrying smallwares, including screws, nuts, washers, rivets and dowels
- Supplied complete with kit of 18 tote trays:  
2 red trays, 52x52 mm  
3 yellow trays, 104x52 mm  
2 blue trays, 104x104 mm  
1 green tray, 104x156 mm  
2 orange trays, 208x52 mm  
2 grey trays, 312x71 mm, and 6 adjustable partitions



445x358x118 mm

**kg**  
3,2



**5990V1**

059900001



**Assortment of 44 tools  
for tool case COMBO C99V1,  
in EVA foam tray**


**Quantity/Description**

	<b>Beta N.</b>
9 ball head offset hexagon key wrenches ○ 1,5-2-2,5-3-4-5-6-8-10 mm	96BPC/SC9
1 snap - off blade utility knife 18 mm	1771
1 Slip joint pliers boxed joints 250 mm	1048
6 2 drift punches, 1 centre punch, 3 flat chisels with metal holder	38/B6
3 screwdrivers for slotted head screws ● 3,5x100-5,5x125-6,5x150 mm	1260
3 screwdrivers for cross head Phillips® screws ⊕ PH0x60-PH1x80-PH2x100 mm	1262
1 electrician's scissors, straight blades	1128BMX
16 combination wrenches 6-7-8-9-10-11-12-13-14-15- 16-17-18-19-21-22 mm	42NEW
1 measuring tape 5 mt	1692/5
1 engineer's hammer 300 g	1370
1 Diagonal cutting nippers, bi-material handles, industrial finish ≡ 160 mm	1082GBM
1 heavy duty combination pliers, bi-material handles, industrial finish ≡ 180 mm	1150GBM

*Assortment recommended  
in combination with C99V1*

**5990V3**

059900003

14" 12"



**Assortment of 116 tools  
for tool case COMBO C99V3/2C,  
in EVA foam tray**

**Quantity/Description**

	<b>Beta N.</b>
5 offset hexagon key wrenches ○ 2,5-3-4-5-6 mm	96T/S5P
1 adjustable wrench 250 mm	111
1 1/4" drive spinner handle	900BG/30
1 mains testing screwdriver ●	1253
1 Pocket spirit level with magnetic V-shaped	1695XS
1 LED inspection torch, made of sturdy anodized aluminium	1833XS/2
31 bits with magnetic quick release bit holder in plastic case ● ○ ⊕ ⊗ ⊕ ⊗	860MIX/A31
1 socket holder	895
12 1/4" hexagon sockets ○ 4-4,5-5-5,5-6-7-8-9-10- 11-12-13 mm	900
1 1/4" drive extension bar 50 mm	900/20
1 1/4" drive extension bar 100 mm	900/20L
1 1/4" drive swivel T-handle	900/42
1 1/4" drive reversible ratchet, 72 tooth mechanism ⊗	900/55Z
38 microscrewdriver with 36 interchangeable 4-mm bits and magnetic extension	1256/C36-2
1 soft face hammer Ø 35mm	1390
1 1/4" drive universal joint	900/25
13 1/2" square drive hexagon sockets ○ 10-11-12-13- 14-15-16-17-18-19-20-21-22 mm	920A
1 1/2" drive extension bar 125 mm	920/21
1 1/2" drive extension bar 255 mm	920/22
1 1/2" drive universal joint	920/25
1 1/2" drive sliding T-handle	920/42
1 1/2" drive reversible ratchet ⊗	920/55



*Assortment recommended  
in combination with C99V3/2C*

**720LC/PM5**

007200646

12"

Set of 5 impact sockets for wheel nuts, with coloured polymeric inserts, 1/2" drive, on magnetic guide

○ 17-19-21-22-24 mm



**FOR USE ON AUTO LIFTS**



**PM 1/2-Q5**

088880233

12"

Magnetic socket rail

**MAX. CARRYING CAPACITY: 1.4 kg**



**900U/C12M**

009001792

1/4"

1/4"

Assortment of 12 gear lock hand sockets, 20 bits and 7 accessories, in soft foam tray, in metal case



350x150x50 mm

	900U	mm	4-5-5,5-6-7-8-9-10-11-12-13-14 mm
		"	5/32-3/16-13/64-7/32-1/4-9/32-5/16-11/32-3/8-7/16-15/32-1/2-9/16
		XZN	M5-M6-M8-M10-M12-M14-M16-M18
		TX	E5-E6-E7-E8-E10-E12-E14-E16-E18
	900/20		50 mm
	900/21		150 mm
	900/25		
	900/42		115 mm
	900BG/30		176 mm
	900/55		125 mm
	895/1		○ 1/4 - □ 1/4
	861LP		0,5x3 - 0,8x5,5 - 1,0x5,5 - 1,2x6,5 mm
	861PE		○ 3-4-5-6-8 mm
	861PH		PH0-PH1-PH2-PH3
	861TX		T8-T10-T15-T20-T25-T30-T40

**920U/C17M**

009201797

12"

Assortment of 17 gear lock hand sockets and 5 accessories, in soft foam tray, in metal case



420x185x60 mm

	920U	mm	10-11-12-13-14-15-16-17-18-19-20-21-22-24-27-30-32 mm
		"	3/8-7/16-15/32-1/2-9/16-19/32-5/8-3/4-25/32-7/8-15/16-1.1/16-1.1/8-1.1/4
		XZN	M12-M14-M16-M16-M18
		TX	E12-E14-E16-E18-E20-E22-E24
	920/21		125 mm
	920/22		255 mm
	920/25		
	920/42		305 mm
	920/55		275 mm

YOU WON'T NEED ANYTHING ELSE!

**GEAR LOCK HAND SOCKETS**





### 674/C

Click-type torque bars, round drive Ø 22 mm, for right-hand and left-hand tightening, torque accuracy: ± 4%, in case

- Dual scale for accurate torque adjustment
- Safety knob for maintaining set torque value
- When not in use, set torque to lowest value of torque wrench range

UNI EN ISO 6789

## ROUND DRIVE Ø 22 mm



Nm	kgfm	Lbf.ft	L mm	kg
100÷500	10÷50	80÷400	786	3,4

### 674/C50

006740005

Nm	kgfm	Lbf.ft	L mm	kg
160÷800	16÷80	120÷600	997	4,5

### 674/C80

006740008

Nm	kgfm	Lbf.ft	L mm	kg
200÷1000	20÷100	150÷750	997	4,5

### 674/C100

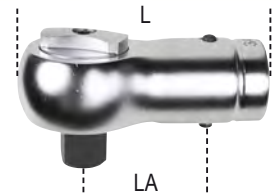
006740010



### 622

3/4" 1"

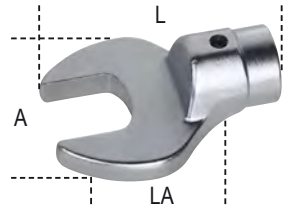
Reversible ratchets for torque bars, round drive, Ø 22 mm



	mm	L mm	LA mm		
622 3/4	3/4"	110	56	006220019	
622 1	1"	110	56	006220024	

### 644

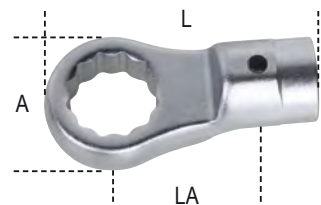
Open jaw wrenches for torque bars, round drive, Ø 22 mm



	mm	L mm	LA mm	A mm		
644 22	22	91	56	52	006440022	
644 24	24	91	56	52	006440024	
644 27	27	94	56	64	006440027	
644 30	30	94	56	64	006440030	
644 32	32	97	56	75,5	006440032	
644 34	34	97	56	75,5	006440034	
644 36	36	97	56	75,5	006440036	
644 41	41	103,5	56	94	006440041	
644 46	46	115,5	56	94	006440046	

### 654

Ring wrenches for torque bars, round drive, Ø 22 mm



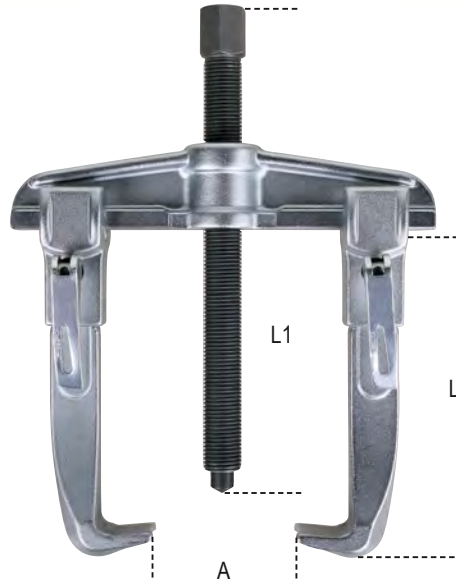
	mm	L mm	LA mm	A mm		
654 22	22	98,5	56	38	006540022	
654 24	24	98,5	56	38	006540024	
654 27	27	102,75	56	46,5	006540027	
654 30	30	102,75	56	46,5	006540030	
654 32	32	106,5	56	55	006540032	
654 34	34	106,5	56	55	006540034	
654 36	36	106,5	56	55	006540036	
654 41	41	115,5	56	72	006540041	
654 46	46	115,5	56	72	006540046	

## 1502

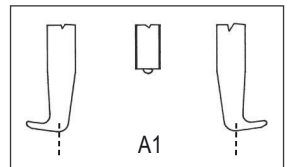
### Two-leg universal pullers with quick leg adjustment and closure

Specifications:

- For both internal and external use
- Legs can be moved along crosspiece
- Legs are locked by means of a quick lever release mechanism



### QUICK LEVER RELEASE MECHANISM



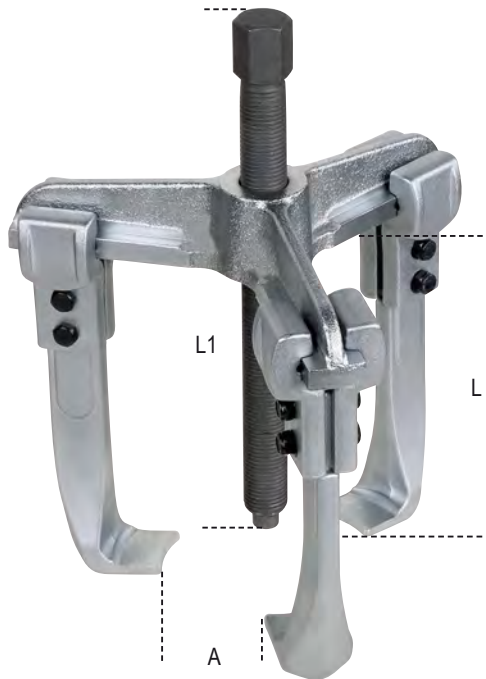
	A min÷Max mm	A1 min÷Max mm	L mm	L1 mm	● mm		
<b>1502/0</b>	40÷90	80÷130	100	166	17		015020000
<b>1502/1</b>	50÷130	90÷170	100	166	17		015020001
<b>1502/2</b>	65÷150	115÷210	150	247	22		015020002
<b>1502/3</b>	65÷190	125÷260	150	247	22		015020003
<b>1502/4</b>	70÷235	170÷335	200	321	27		015020004

## 1518U

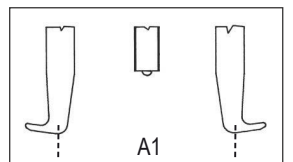
### Three-leg universal pullers

Specifications:

- For both internal and external use
- Legs can be moved along crosspiece with stop nuts



	A min÷Max mm	A1 min÷Max mm	L mm	L1 mm	● mm		
<b>1518U/0</b>	40÷90	80÷130	100	166	17		015180500
<b>1518U/1</b>	50÷130	90÷170	100	166	17		015180501
<b>1518U/2</b>	65÷150	115÷210	150	247	22		015180502
<b>1518U/3</b>	65÷190	125÷260	150	247	22		015180503
<b>1518U/4</b>	70÷235	170÷335	200	321	27		015180504





## 1517C

### Combination two/three-leg self-locking pullers

- Leg holder with configuration for 2- or 3-leg use
- Simultaneous leg opening
- Self-locking effect
- With shear pin
- Size 2 with screw extension (total length of screw with extension: 380 mm)

*Beta's puller 1517C relies on a leg self-locking mechanism triggered by the spring on the crosspiece. This feature makes it easy to position and lock the puller on the part to remove. After the puller has been fixed in place, the legs can be locked by means of the ring nut.*

*The peculiar crosspiece has 4 seats which allow the 1517C puller to be used with both 2 legs – for easier, quicker jobs – and 3 legs – for increased firmness.*

*The shear pin on the screw head breaks when the maximum permissible torque is exceeded, thereby protecting the puller from overloads.*



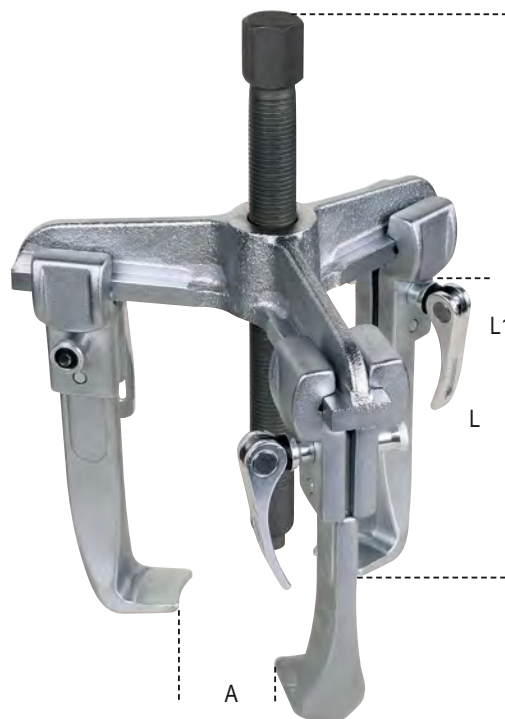
	A min÷Max mm	L mm	L1 mm	● mm	☰	
<b>1517C/0</b>	12÷140	145	250	18	015170500	
<b>1517C/1</b>	20÷180	200	300	18	015170501	
<b>1517C/2</b>	30÷280	270	300	18	015170502	

## 1519

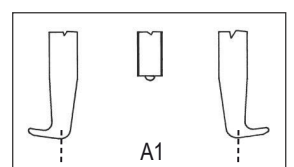
### Three-leg universal pullers with quick leg adjustment and closure

Specifications:

- For both internal and external use
- Legs can be moved along crosspiece
- Legs are locked by means of a quick lever release mechanism



### QUICK LEVER RELEASE MECHANISM



	A min÷Max mm	A1 min÷Max mm	L mm	L1 mm	● mm	☰	
<b>1519/0</b>	40÷90	80÷130	100	166	17	015190000	
<b>1519/1</b>	50÷130	90÷170	100	166	17	015190001	
<b>1519/2</b>	65÷150	115÷210	150	247	22	015190002	
<b>1519/3</b>	65÷190	125÷260	150	247	22	015190003	

**1838E**

018380270



**Rechargeable under bonnet LED lamp**

- Triple light emission: 500/1000/2000 lumens
- Can be rotated 360°
- Length range: 116 ÷ 188 cm
- Aluminium body
- Nonslip rubber hooks
- USB-C charge
- Supplied with battery charger  
Input: 100-240V ~ 50/60Hz  
Output: DC 5V - 2000 mA
- battery life: 3-9 h



**2 charging modes:**  
charge via lamp USB port  
charge via internal battery USB port

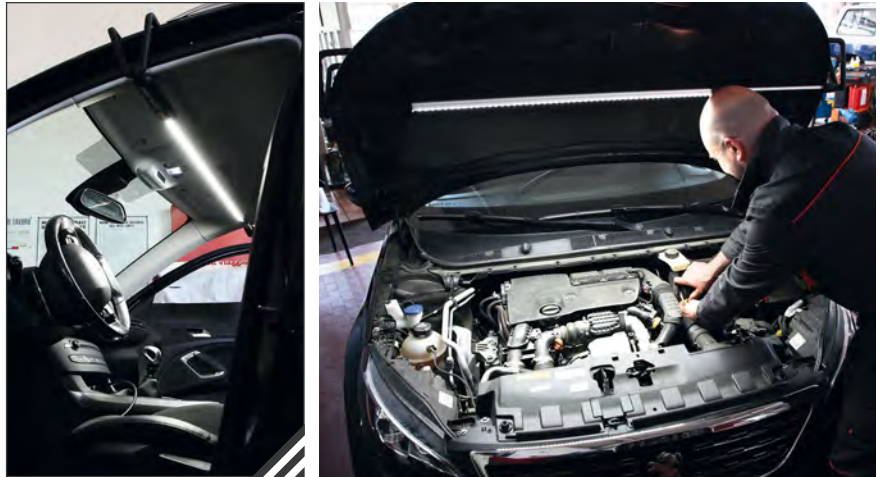
**1838E-BT**

018380271



**Rechargeable battery with USB-C port for under bonnet lamp item 1838E**

- Li-Ion 3,6V
- DC 5V - 2000 mA



**Set of 5 files, with handles, in wallet**

**1719BMA...**

**SECOND-CUT FILES**

**1719BMD...**

**ROUGH FILES**



- R
- ▴ M
- P
- ▴ T
- Q

	L mm	L"	
<b>1719BMA8/B5</b>	200	8	017190297
<b>1719BMA10/B5</b>	250	10	017190298
<b>1719BMD8/B5</b>	200	8	017190303
<b>1719BMD10/B5</b>	250	10	017190305

**1750M3**

017500003

**Mini grease gun, with 3 nozzles**

- Fitted with three interchangeable nozzles: 0.7 - 1.0 - 1.4 mm
- Particularly suitable for lubricating pneumatic tools
- Can be used with loose grease



**CONVENIENT AND COMPACT!**

cc	D mm	L mm
85	42	160





### Heat guns

- Heat shrinking;
- Stripping paint, softening PVC parts;
- Soldering, welding;
- Shrinking cables;
- Thawing, drying, disinfecting;
- Treating glued parts.



# 2000W

## 1850E

018500020



### Adjustable electronic heat gun

- Digital display
- Temperature and flow rate adjustment buttons
- 4 preset programmes and other customizable programmes:
  - Prog 1 150°C ca. 400 l/min
  - Prog 2 200°C ca. 400 l/min
  - Prog 3 300°C ca. 450 l/min
  - Prog 4 400°C ca. 500 l/min



- Pos. I 250-500 l/min 50°C
- Pos. II 250-500 l/min 50-650°C

L mm	H mm	W	°C	V	l/min
255	210	2000	50-650	220/240	250/500

# 1800W

## 1850D

018500018



### 3-speed heat gun



- Pos. I 250 l/min 50°C
- Pos. II 250 l/min 400°C
- Pos. III 500 l/min 550°C

L mm	H mm	W	°C	V	l/min
255	210	1800	50-550	220/240	250/500

# 1940/C6

019400000



### Air hammer with 5 chisels and accessories

- For cutting sheet metal, bolts and bodies, removing welding slags, rivets, plaster and tiles
- Assortment in a convenient ABS tool case, comprised of:
  - 1 air hammer item 1940
  - 1 flat chisel item 1940SN
  - 1 demolition chisel item 1940ST
  - 1 round-tipped chisel item 1940SD
  - 1 bevel chisel item 1940SPS
  - 1 sheet metal cutting chisel 1940SDT
  - 1 nonreturn spring item 1940MT
  - 1 bayonet retainer for hexagon chisels



320x240x90 mm

# 1940



Strokes per minute		3.500
Chisel inlet	∅ mm	11
Piston size	mm	19
Piston stroke	mm	67
Air inlet	GAS	1/4"
Working pressure	bar	6,2
Internal hose size (∅)	mm	8
Mean air consumption	l/min	240

### WELDING SPRAY

\* 9755

097551040

#### Welding anti-spatter spray

Specifications:

- Prevents slag adhesion.
- Makes welding easier and quicker.
- For use on parts that need welding and as a protector for welding torch nozzles.
- Makes it possible to carry out subsequent operations, e.g. painting, galvanizing and chrome-plating.
- Easy to remove.
- No fumes.
- Chlorinated-free.



400 ml



### CLIMA CLEANER

\* 9746

097461040

#### Air conditioner cleaner

Specifications:

- Thick foam formulation.
- Suitable for industrial, civil and car air conditioners.
- Removes dirt, deposits and odours from ducts.
- Leaves a pleasant fragrance.
- Supplied with a straw.



400 ml



### DE-ICER SPRAY

\* 9765

097651040

#### De-icer spray

Specifications:

- Removes ice and frost from windows.
- Also ideal for frozen locks and mechanisms.
- Effective down to -40 °C.
- Nongreasy, smear-free.
- Does not affect treated surfaces, rubber and plastics.



400 ml



### AIR SPRAY

\* 9749

097491040

#### Air spray

Specifications:

- Compressed gas based.
- Ideal for removing dust deposits from cracks, gear, electrical parts, keyboards and delicate mechanisms in general.
- The aerosol can with straw allows hardly accessible parts to be easily reached.



400 ml





WATER STOP

\* **9775**  
097751040

**Fabric waterproofing spray**

Specifications:

- Suitable for textiles and leather.
- Ideal for footwear, jackets and clothing in general.
- Allows fabrics to be waterproofed, without affecting breathability.
- Stain resistant.
- Provides improved resistance to bending and abrasion.



**WATERPROOFED**  
+  
**STAIN-RESISTANT POWER**  
+  
**PROVIDES IMPROVED RESISTANCE TO BENDING AND ABRASION**

400 ml



\* **ATTENTION!**

Countries where the products of the Beta Chemicals range are allowed to be distributed: Austria, Belgium, France, Hungary, Italy, Netherlands, Poland, Portugal, Republic of Ireland, Spain, Switzerland, United Kingdom and UAE.

**Silicone sealant**

- Enables permanent elastic sealing.
- Replaces preformed gaskets.
- The convenient dispenser allows easy (one-coated), accurate, uniform spreading of the product.
- Polymerizes by reacting with atmospheric moisture

- and forms an elastic, durable gasket.
- Perfectly adheres to most non-porous substrates, including glass, coated wood, ceramic and enamel.
- Not suitable for PE, PP, PC, PMMA, PTFE, soft plastics, neoprene and bituminous supports.
- Cannot be painted.

\* **9841R**  
098410020

**Red acetic-reticulation silicone sealant, resistant to high temperatures, with convenient pressure dispenser (pressure pack)**

**WITHSTANDS TEMPERATURES UP TO 300 °C.**

*Ideal for oven and furnace doors, plates, heating systems, outlets, thermostats, pumps, heating pipes, engine parts that are not subject to high pressure and applications that require resistance to high temperatures.*



200 ml



\* **9841N**  
098410120

**Black acetic-reticulation silicone sealant, resistant to high temperatures, with convenient pressure dispenser (pressure pack)**

**WITHSTANDS TEMPERATURES UP TO 240 °C**

*Ideal for oil sumps, oil pumps, housings, gearboxes, engine parts that are not subject to high pressure and applications that require resistance to high temperatures.*



200 ml



**1498LT/12-24**

014980014



**Portable high-performance starter,  
12-24 V, ultralightweight**

The microprocessor provides total protection against:

- polarity reversal
- short circuits
- incorrect voltage
- overloads
- underdischarge
- overcharge
- overtemperature

**SUITABLE FOR USE ON CARS,  
COMMERCIAL VEHICLES AND TRUCKS**  
**12-24 Volt**



350 mm  
140 mm  
240 mm

**5 kg**



**CABLE LENGTH  
160 cm**

**TECHNICAL DATA**

- operating voltage: 12/24V
- continuous amperage: 2000/1000 A
- maximum starting amperage: 5000/2500 A
- peak amperage: 10000/5000 A
- clamp amperage: 1000 A
- cable length: 160 cm
- cable section: 25mm<sup>2</sup>
- automatic power supply: 4 Amp
- memory saving function

**UP TO 10,000A  
IN 5 kg WEIGHT!**





3023

030230050

Pit and under bridge jack with screw adjustment

**MAXIMUM CARRYING CAPACITY: 400 kg**



H min-Max mm	Ø mm
1350÷2030	300



3033E/3T

030330130



Hydraulic jack, 3 t

- controlled descent speed
- nylon wheels



H min-Max mm	L mm	L1 mm
95÷515	700	370



3030H/2T

030300220



High-lift hydraulic jack, 2 t, with 6 wheels

Makes it possible to work on vehicles that are high from the ground and have a long shock absorber travel

- Controlled descent speed
- Quick approach pedal
- Nylon wheels



H min-Max mm	L mm	L1 mm
85÷780	1010	300



**3027 100**

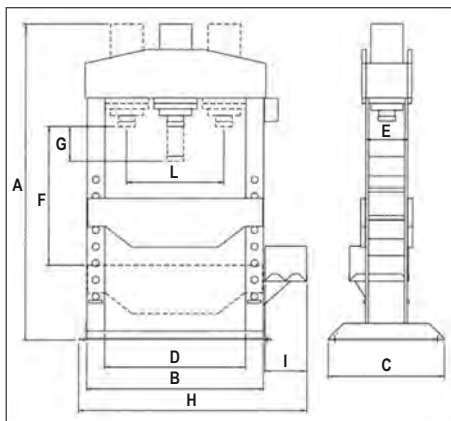
030270100



**Motorized electro-hydraulic press with moving piston**

Technical specifications:

- Maximum capacity: 100 t
- Power supply: 380 V (three-phase)
- Frequency: 50 Hz
- Electric motor power: 1.5 kW
- Double speed control unit
- Operated by a lever distributor
- Pallet lifting by means of chains
- For transportation safety reasons, the press is sold without oil (Eni OSO 46 - ESSO NUTO 46 or equivalent oils).
- Power supply cord is not included.



A	2280
B	1290
C	850
D	1030
E	305
F-	240
F+	1000
G	320
H	1600
I	350
L	650

Electric motor power	1,5 Kw
Control unit capacity	15,4 / 2,1 lt/1'
Piston stroke	320 mm
Stan speed	16 / 1,5 mm/1"

# MOTORIZED ELECTRO-HYDRAULIC PRESS



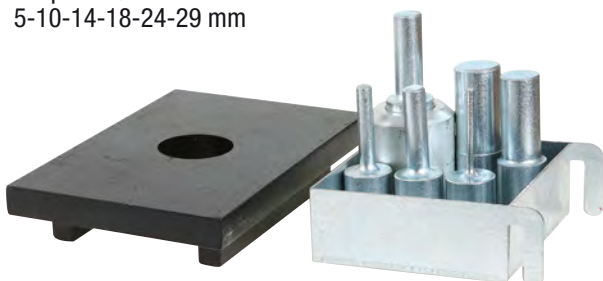
**MAXIMUM CAPACITY 100 t**

**3027/KP100**

030270551

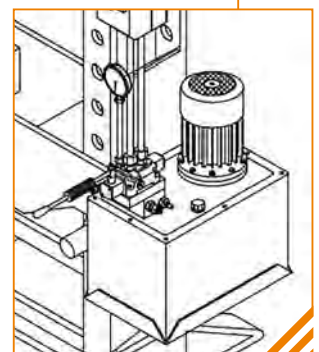
**Set of pin punches and plate for press item 3027 100**

Pin punch Ø:  
5-10-14-18-24-29 mm



hydraulic control unit of the cylinder, comprising the following:

- electric motor
- one low-pressure and high-delivery gear pump
- one high-pressure and low-delivery piston pump
- one oil tank
- one distributor with maintained-action lever
- two pipes for connecting control unit - cylinders





**972/C10**

009720010

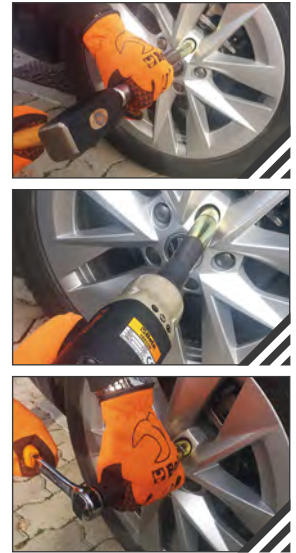
**Removal kit for damaged wheel nuts**

For use on anti-theft and conventional nuts



290x250x60 mm

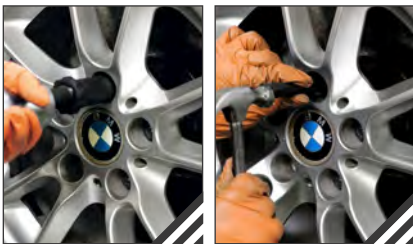
kg 2,4



**972/C4BMW**

009720004

**Removal kit for anti-theft bolts with free rings, for BMW and Mini cars**



516x145x66 mm

kg 3,8

**983PM**

009830010



**Abrasive brush for cleaning hubs**



Ø1 mm	Ø2 mm
90	150

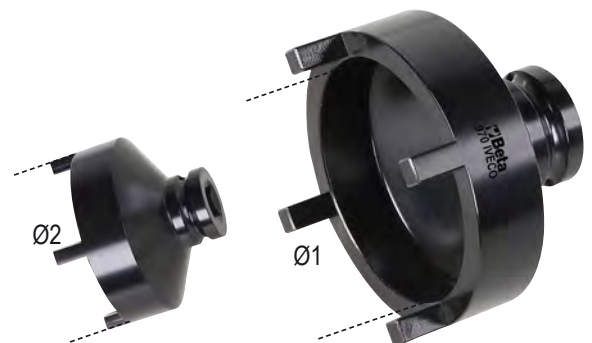
**970IVECO**

009700011



**Hook socket for Iveco Daily hub nuts**

For versions from year 2014



Ø1 mm	Ø2 mm
61,5	74,8

**1531/C7**

015310107

**Removal kit for hub wheel bearing inner rings**

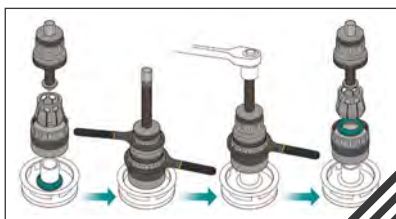


390x315x96 mm

kg  
4,3

Included sizes:

- 1 pliers Ø 40÷45 mm
- 1 pliers Ø 45÷51 mm
- 1 pliers Ø 50÷55 mm
- 1 pliers Ø 55÷61 mm



**1471T/C5**

014710400



**5 slugging wrenches for truck brake calipers**

Can be used with torque wrenches for tightening operations

Included sizes:

- female Torx wrenches E18, E20, E24
- ring wrenches M24, M26



275x220x60 mm

kg  
3,1

**1563/C4**

015630010



**Set of 4 ball joint removal sockets**

For use with air hammer

Set contents:

- 1 socket M12x1.25 mm
- 1 socket M12x1.5 mm
- 1 socket M14x1.5 mm
- 1 socket M16x1.5 mm



22/24 mm

**989B**

009890015

**Combination pliers for wheel balancing weights**

Functions:

- Removing adhesive weights for alloy rims
- Removing weights for iron rims
- Hammer with removable PE-HD covering for adhesive weights and iron rims
- Weight jaws for iron rims



**1568**

015680001



**Pneumatic assembly tool for silicone axle shaft boots**

- 8 spreader arms
- Maximum arm spreading: 145 mm

L mm	L1 mm
420	195





**1454P**

014540010

**Scraper for removing packing and sealant residues**

Particularly recommended for cleaning heads and flat surfaces to match



**9841N**

$\frac{+s}{-t}$ mm	L mm	L1 mm
3,3	210	32

**960ER**

009600726

**Slide hammer for injector washers**



**STEPPED DRILL BIT**

L mm
350

**960BC/C5**

009600280



**Set of 5 sockets for injector electric connection**

Set contents:

- 1 open hexagon socket, 25 mm
- 1 open hexagon socket, 27 mm
- 1 open hexagon socket, 29 mm
- 1 open hexagon socket, 30 mm
- 1 bi-hex socket, 28 mm

**22 mm**



280x160x55 mm

**1467T/C6**

014670080



**Set of adapter plugs for brake fluid tanks, for use with BETA items 1467LF and 1467LF/2**

Set contents:

- 1 plug for Toyota vehicles
- 1 plug for Ford, Hyundai, Mazda, Mitsubishi, Nissan, Subaru vehicles
- 1 plug for Honda vehicles
- 1 plug for Mazda and Suzuki vehicles
- 1 plug for Nissan vehicles
- 1 brake bleeding adapter plug for European vehicles



350x240x85 mm

**1,8 kg**

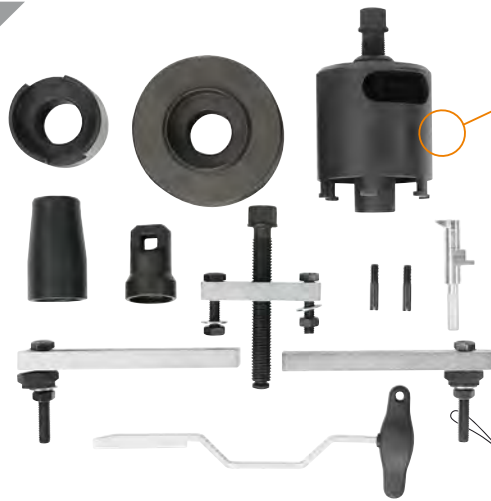


## 1438K/DSG-2

014380260

### Tool set for aligning 6- and 7-speed DSG clutches

For use with 6-speed DSG and manual-shift, 7-speed DSG (series 1 and 2) and S-tronic gearboxes.



350x370x117 mm



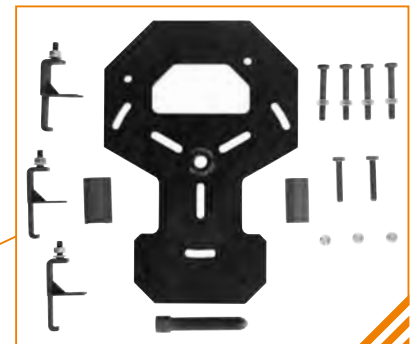
## 1438K/PWR

014380270

### Removal/installation tool set for Powershift dual clutch transmission



440x400x85 mm



## 1438DCT/S

014380305



### Tool set for aligning Ford dry dual clutches

For clutch alignment after carrying out jobs like clutch oil seal replacement.



440x400x85 mm





**1884N/C8**

018840200



**Set of 8 adapters for item 1884**

Set contents:

- 1 adapter for Infiniti, 7-speed, M8x1.0
- 1 adapter for Honda, Hyundai, Kia 5x8x200 mm
- 1 adapter for Skoda M18x1.5
- 1 adapter for Mini M14x1.5
- 1 adapter for Nissan M10x1.5
- 1 adapter for Nissan Juke M12x1.25
- 1 adapter for GM M12x1.75
- 1 adapter for VAG group vehicles, 7-gear



200x145x40 mm

**1884**

018840010



**1482SN**

014820110

**Quick coupler swivel pliers for fuel pipes, with articulated jaws**

L mm

260



L



**1481T/C12**

014810212

**Set of fuel line plugs**

3 pairs of plugs with male/female quick couplers for closing fuel lines.



275x220x45 mm

**1493HK**

014930087

12"

Diesel oil filter wrench for Hyundai Kia, 15-sided



**1472B/RNLT**

014720250



Double head socket, specially designed for suction hose clamps installed on Renault engines



9 mm



**1494T/C5**

014940350

38"



Set of special sockets for plastic oil drain plugs

Set contents:

- 1 socket for VAG group oil drain plugs
- 1 socket for BMW oil drain plugs
- 1 socket for PSA and Ford group oil drain plugs
- 1 socket for Mercedes oil drain plugs
- 1 "T"-handle wrench



17 mm

173x125x50 mm

**1494MRC**

014940325

38"



Special socket for plastic oil drain plugs, for Mercedes engines



17 mm

**1494MAN**

014940330

38"



Special socket for plastic oil drain plugs, for DAF and MAN engines



17 mm

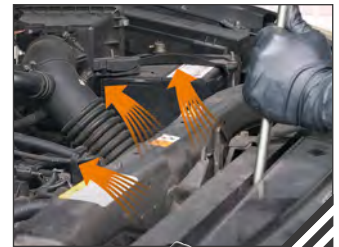


**1949R**

019490050

**Blow gun  
for cleaning radiators**

The 5 holes that are perpendicular  
to the handle allow dirt to be removed  
from radiators



**6-mm SECTION**

$\frac{\pm s}{\text{mm}}$	L mm
6	600



**1487/K2**

014870100



**2 sockets for radiator drain plugs**



**17 mm**

**1493C/ADB**

014930900



**Socket for opening AdBlue® caps,  
for PSA group vehicles**



**17 mm**

**1493U/ADB**

014930910



**Socket for opening AdBlue®  
drain plugs**



**17 mm**

**1758ADB-D**

017580050

**Non-return funnel for AdBlue®,  
with straight coupling**

**MAXIMUM CAPACITY  
1 l**



I max
1

**1758ADB-45°**

017580060

**Non-return funnel for AdBlue®,  
with 45° coupling**

**MAXIMUM CAPACITY  
1 l**



I max
1



## 1497TE

014970180

### Pliers for disconnecting electrical connectors

The extremely thin noses allow the clips to be released without damaging the connectors.

L mm	A Max mm	Ø mm
215	63	4



## 1767B

017670100

### Pedal and steering wheel locking kit

The trigger adjustment mechanism ensures accurate settings when keeping the vehicle accelerated.



490x285x95 mm



## 1344A/VW

013440100



### Fixing hook removal tool for Volkswagen handles

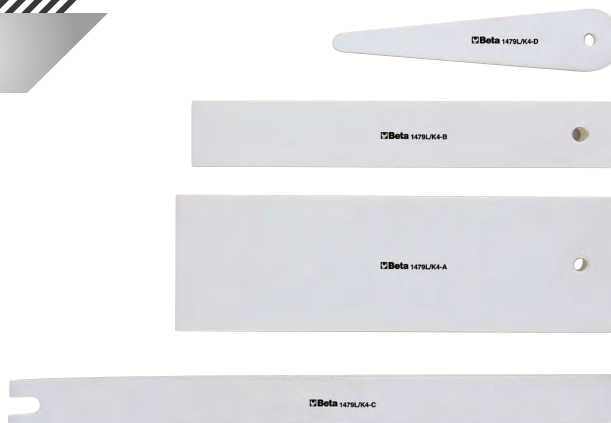
L mm
260



## 1479L/K4

014790604

### 4 wrecking bars for jobs on dashboards and delicate parts





## 1766ER/VW

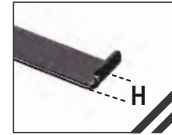
017660510



### Low-profile window trim removal tool

Particularly suitable for VAG group window trims with reduced grip space.

L mm	H mm
215	4



## 1366B

013660250

### Hammer face for plastic dent pulling glue tabs

Hammer face weight: 500 g

L mm
440



## 1366KF

013660205



## 1768

017680010

### Aluminium footboard

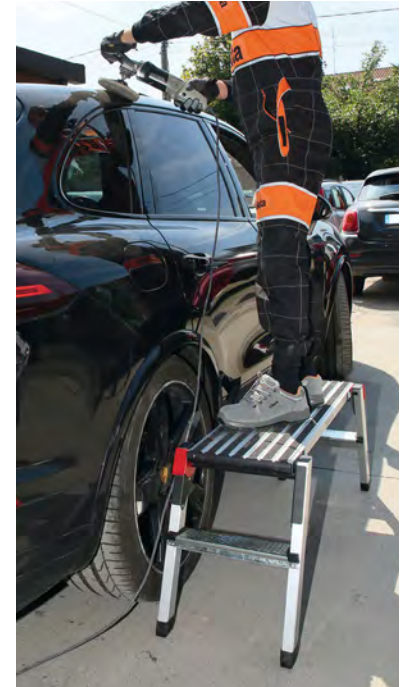
- Maximum carrying capacity: 200 kg

**SURFACE COATED WITH  
NON-SLIP MATERIAL**

**200**  
kg



L mm	L1 mm	H mm
960	300	475



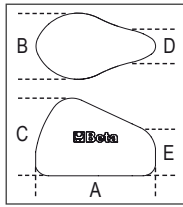
**3099E**

**Outdoor motorcycle cover, water and dust resistant**

Protects paint from scratches, dust and sunlight.



- Size "M" recommended for sports and naked motorcycles and mid-size scooters
- Size "L" recommended for maxi enduro and crossover motorcycles



**PRACTICAL CASE INCLUDED**

	Tg	A mm	B mm	C mm	D mm	E mm	
<b>3099E/M</b>	M	2290	990	1250	350	900	030990102
<b>3099E/L</b>	L	2500	1100	1650	1100	1500	030990103

**3099T**

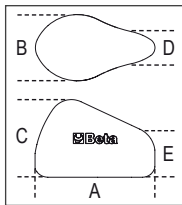
**Indoor motorcycle cover, made from stretch fabric**

Protects paint from scratches, dust and sunlight

**STRETCH FABRIC**



- Size "M" recommended for sports and naked motorcycles and mid-size scooters
- Size "L" recommended for maxi enduro and crossover motorcycles
- Size "XL" recommended for super touring motorcycles



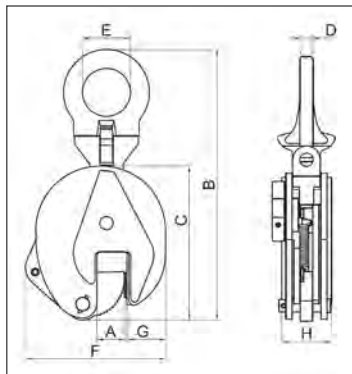
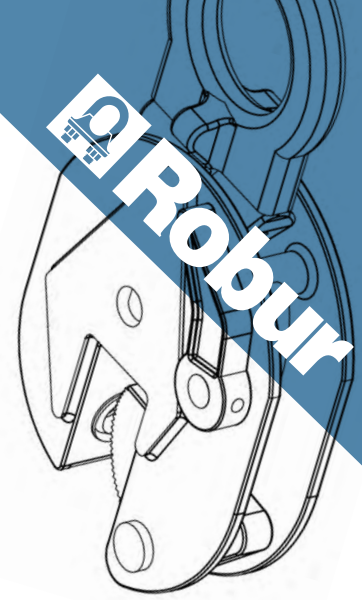
**PRACTICAL CASE INCLUDED**

	Tg	A mm	B mm	C mm	D mm	E mm	
<b>3099T/M</b>	M	2050	900	1000	350	800	030990202
<b>3099T/L</b>	L	2700	1100	1300	550	1100	030990203
<b>3099T/XL</b>	XL	3100	1300	1400	700	1200	030990204



**8135****Steel plate lifting clamps with articulated lifting eyes**

- Professional model, compliant with EN13155, made from high-quality materials
- Suitable for lifting steel plates, rotating by 180°, and plate transportation in vertical position
- For plates with hardness up to 30HRC (300HB)
- Cam safety lock for easier steel sheet insertion and safe gripping
- Identification plate with serial number and batch number
- Safety factor: 3:1
- Minimum WLL is 10% of maximum WLL

**EN13155**

max WLL (t)	Dimensions mm						
	B	C	D	E	F	G	H
0,75	205	125	10	27	105	35	40
1,0	290	170	12	48	145	45	56
2,0	375	205	17	67	175	56	56
3,0	425	237	20	75	215	60	78
5,0	480	262	20	80	232	65	90

**TECHNICAL DATA**

- Safety factor: 3
- Serial number identification plate

**AVAILABLE CERTIFICATES**

- Manufacturer's Certificate
- CE Declaration of Conformity
- Test report UNI EN10204 type 2.2
- Technical product specifications



	max WLL t	A mm	kg	
<b>8135 0,75 T</b>	0,75	0-15	2	081350005
<b>8135 1,0 T</b>	1,0	0-20	5	081350010
<b>8135 2,0 T</b>	2,0	0-25	8	081350020
<b>8135 3,0 T</b>	3,0	0-30	15	081350032
<b>8135 5,0 T</b>	5,0	0-50	23	081350050

**O-Gravity ultralightweight microfibre shoe, water-repellent**

- Heel stability support
- EVA outsole with durable nitrile rubber tread
  - Composite toe cap
- Composite fibre penetration proof insole



**7356V**

**O-Gravity ultralightweight microfibre shoe, water-repellent**

- Stretch slip-on collar

**460 g\***



EU	UK	
38	5	073560138
39	6	073560139
40	6,5	073560140
41	7	073560141
42	8	073560142
43	9	073560143
44	10	073560144
45	10,5	073560145
46	11	073560146
47	12	073560147
48	13	073560148



**EN ISO 20345 2011**

**S3 HRO SRC**

**7357V**

**O-Gravity ultralight microfibre ankle shoe, water-repellent**

- Stretch slip-on collar

**480 g\***



EU	UK	
38	5	073570138
39	6	073570139
40	6,5	073570140
41	7	073570141
42	8	073570142
43	9	073570143
44	10	073570144
45	10,5	073570145
46	11	073570146
47	12	073570147
48	13	073570148



**EN ISO 20345 2011**

**S3 HRO SRC**

\* approximate weight for size 42

**7322SA**

**Fabric shoe, highly resistant to abrasion**

- Heel stability support
- Composite toe cap
- Composite fibre penetration proof insole



**NEW ACTIVE**

EU	UK	
35	2,5	073220435
36	3,5	073220436
37	4,5	073220437
38	5	073220438
39	6	073220439
40	6,5	073220440
41	7	073220441
42	8	073220442
43	9	073220443
44	10	073220444
45	10,5	073220445
46	11	073220446
47	12	073220447
48	13	073220448



**EN ISO 20345 2011**

**S3 SRC**

**7323SA**

**Fabric ankle shoe, highly resistant to abrasion, with quick opening system**

- Heel stability support
- Composite toe cap
- Composite fibre penetration proof insole



**NEW ACTIVE**

EU	UK	
35	2,5	073230435
36	3,5	073230436
37	4,5	073230437
38	5	073230438
39	6	073230439
40	6,5	073230440
41	7	073230441
42	8	073230442
43	9	073230443
44	10	073230444
45	10,5	073230445
46	11	073230446
47	12	073230447
48	13	073230448



**EN ISO 20345 2011**

**S3 RS SRC**



# ULTRALIGHTWEIGHT

**Beta**  
O-Gravity

## LADY O-Gravity shoe

- Heel stability support
- Stretch slip-on collar
- EVA outsole with durable nitrile rubber tread
  - Composite toe cap
- Composite fibre penetration proof insole

**7352LG**



EU	UK	Code
34	2	073520234
35	2,5	073520235
36	3,5	073520236
37	4,5	073520237
38	5	073520238
39	6	073520239
40	6,5	073520240
41	7	073520241
42	8	073520242

O-Gravity ultralight mesh fabric shoe,  
highly breathable  
High-visibility reflective mesh upper

390 g\*



EN ISO 20345 2011

S1P HRO SRC



**7356LN**



EU	UK	Code
34	2	073560234
35	2,5	073560235
36	3,5	073560236
37	4,5	073560237
38	5	073560238
39	6	073560239
40	6,5	073560240
41	7	073560241
42	8	073560242

O-Gravity ultralightweight  
microfibre shoe, water-repellent

400 g\*



EN ISO 20345 2011

S3 HRO SRC



\* approximate weight for size 38

**7222PEK**



EU	UK	Code
35	2,5	072220135
36	3,5	072220136
37	4,5	072220137
38	5	072220138
39	6	072220139
40	6,5	072220140
41	7	072220141
42	8	072220142
43	9	072220143
44	10	072220144
45	10,5	072220145
46	11	072220146
47	12	072220147
48	13	072220148

Suede shoe, perforated,  
with highly breathable  
mesh inserts

- Composite toe cap
- Composite fibre penetration proof insole



EN ISO 20345 2011

S1P SRC

**7225PEK**



EU	UK	Code
35	2,5	072250135
36	3,5	072250136
37	4,5	072250137
38	5	072250138
39	6	072250139
40	6,5	072250140
41	7	072250141
42	8	072250142
43	9	072250143
44	10	072250144
45	10,5	072250145
46	11	072250146
47	12	072250147
48	13	072250148

Suede shoe, perforated

- Composite toe cap
- Composite fibre penetration proof insole



EN ISO 20345 2011

S1P SRC

**EASY PLUS**

**EASY PLUS**

**7239B**



**Nubuck ankle boot, water-repellent, with mesh inserts and reinforcement polyurethane toe cap cover**

- Steel toe cap
- Composite fibre penetration proof insole



EU	UK	
39	6	072390339
40	6,5	072390340
41	7	072390341
42	8	072390342
43	9	072390343
44	10	072390344
45	10,5	072390345
46	11	072390346
47	12	072390347
48	13	072390348

**EN ISO  
20345  
2011  
S3 SRC**

**7398UP**

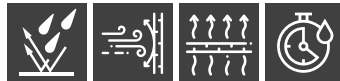
**Anatomically shaped underfoot covers**

made of citrus-fragrant TPE GEL, with plantar arch support

36-40	073980076
41-46	073980081



**7669N**



**Stretch work jacket, lightweight, multipocket style**

- Detachable sleeves
- Front zip closure
- One chest pocket with zip closure
- Two waist pockets with zip closure
- One interior pocket
- Waist casing
- Stretch cuffs

XS	076690000
S	076690001
M	076690002
L	076690003
XL	076690004
XXL	076690005
XXXL	076690006



Retractable hood, lined, with string adjusters

Detachable sleeves

Stretch cuffs

**4-WAY  
STRETCH**



## Stretch work trousers, lightweight, multipocket style

- Stretch fabric 86% nylon, 14% spandex, 140 g/m<sup>2</sup>
- Knee pad pockets, rear pockets reinforced in polyester 300D
- Tearproof crotch
- Two large front pockets with zip closure
- Two reinforced rear pockets, one with zip closure
- Ruler pocket and hammer loop



7660G



SLIM FIT

ANTHRACITE



XS	076600000
S	076600001
M	076600002
L	076600003
XL	076600004
XXL	076600005
XXXL	076600006

7660B



SLIM FIT

BLUE



XS	076600100
S	076600101
M	076600102
L	076600103
XL	076600104
XXL	076600105
XXXL	076600106



7661G



ANTHRACITE

SLIM FIT



XS	076610000
S	076610001
M	076610002
L	076610003
XL	076610004
XXL	076610005
XXXL	076610006

## Stretch work Bermuda shorts, lightweight, multipocket style

- Stretch fabric 86% nylon, 14% spandex, 140 g/m<sup>2</sup>
- Rear pockets reinforced in polyester 300D
- Tearproof crotch
- Two large front pockets with zip closure



7661B



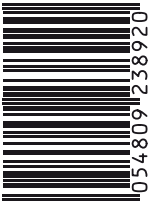
BLUE

SLIM FIT



XS	076610100
S	076610101
M	076610102
L	076610103
XL	076610104
XXL	076610105
XXXL	076610106

998015768



8 054809 238920

# **Beta**

**Beta Utensili S.p.A.**  
**Via Volta, 18**  
**20845 Sovico (MB)**  
**tel +39 039 20771**  
**[www.beta-tools.com](http://www.beta-tools.com)**



The images are for reference only. Beta Utensili S.p.A. reserves the right to update and upgrade its product range without notice.