



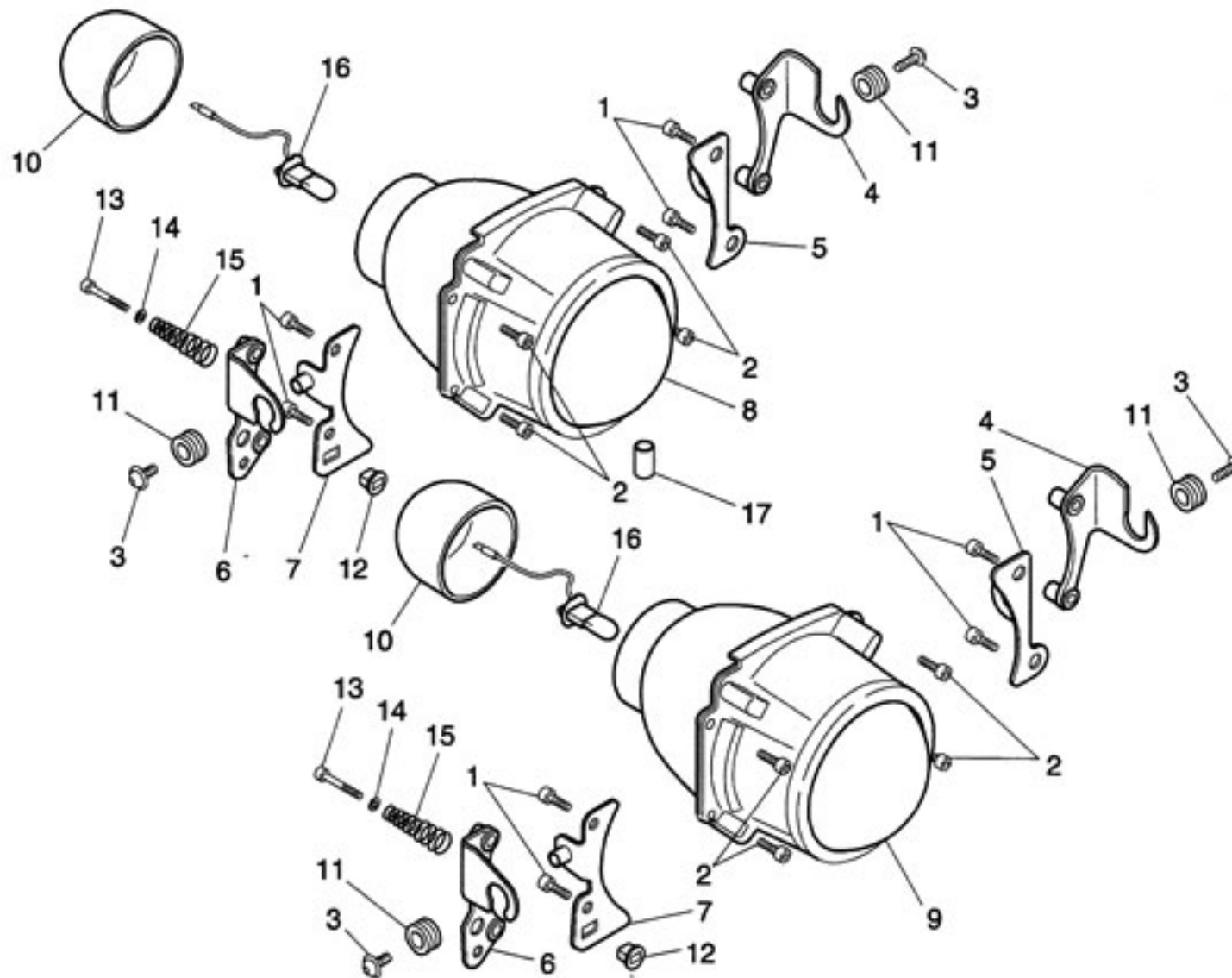
Mondial Moto s.p.a.

**FANALE ANTERIORE
HEADLIGHT**Sez.
Sect.**F**Tav.
Tab.**01**

Piega

Cod. # MRBP010007.6

Release: 00/2003-07



Ref.	Descrizione	Description	Year	Version	Cod. #	Q.ty
1	Vite M4x16	Screw M4x16	-	-	2010310416.0	8
2	Vite M4x16	Screw M4x16	-	-	2010410416.0	8
3	Vite M5x10	Screw M5x10	-	-	2010360510.0	4
4	Regolatore fanale sinistro	Left light adjuster	-	-	MSVP010283.4	2
5	Supporto fanale sinistro	Left light support	-	-	MSVP010284.4	2
6	Regolatore fanale destro	Right light adjuster	-	-	MSVP010177.4	2
7	Supporto fanale destro	Right light support	-	-	MSVP010178.4	2
8	Fanale anteriore luce abbagliante	Headlight high	-	-	MIEP010161.4	1
9	Fanale anteriore luce anabbagliante	Headlight low	-	-	MIEP010163.4	1
			-	UK J	MIEP010254.4	1
10	Cuffia fanale anteriore	Headlight protection element	-	-	MIEP010162.4	2
11	Silent-block	Silent-block	-	-	2120061014.0	4
12	Innesto nylon regolatore fanale	Headlight adjuster nylon coupling	-	-	MSVP010180.4	2
13	Vite M4x35	Screw M4x35	-	-	2010410435.0	2
14	Rondella nylon Ø 4	Washer, nylon Ø 4	-	-	2030500004.0	2
15	Molla regolazione fanale	Light adjustment spring	-	-	MSVP010333.4	2
16	Lampadina H3 12V 55W	Bulb, H3 12V 55W	-	-	MIEP010257.4	2
17	Tappo per faro	Headlight plug	-	-	MIEP010253.4	1



Mondial Moto s.p.a.

CRUSCOTTO DASHBOARD

Sez.
Sect.

F

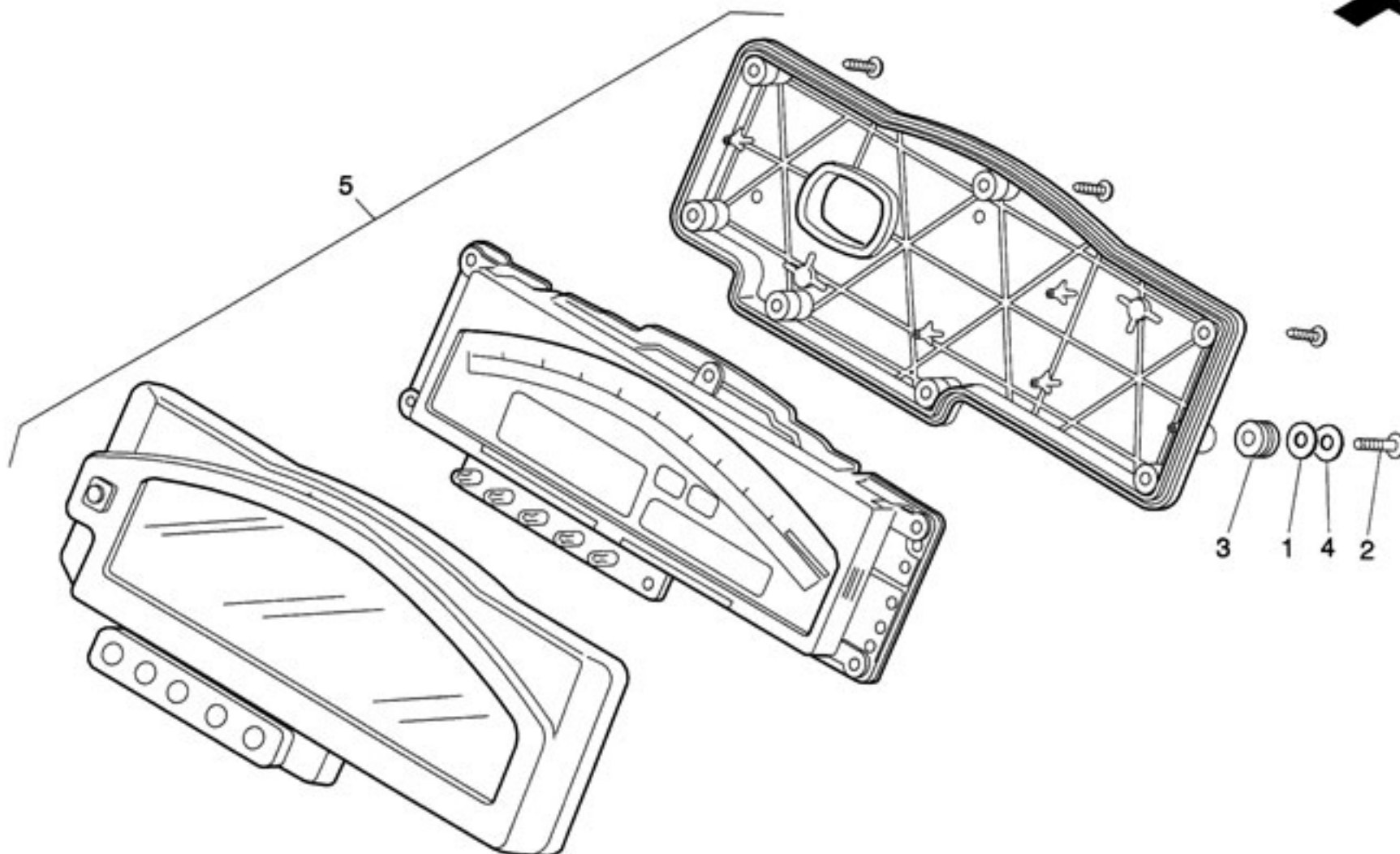
Tav.
Tab.

02

Piega

Cod. # MRBP010007.6

Release: 00/2003-07

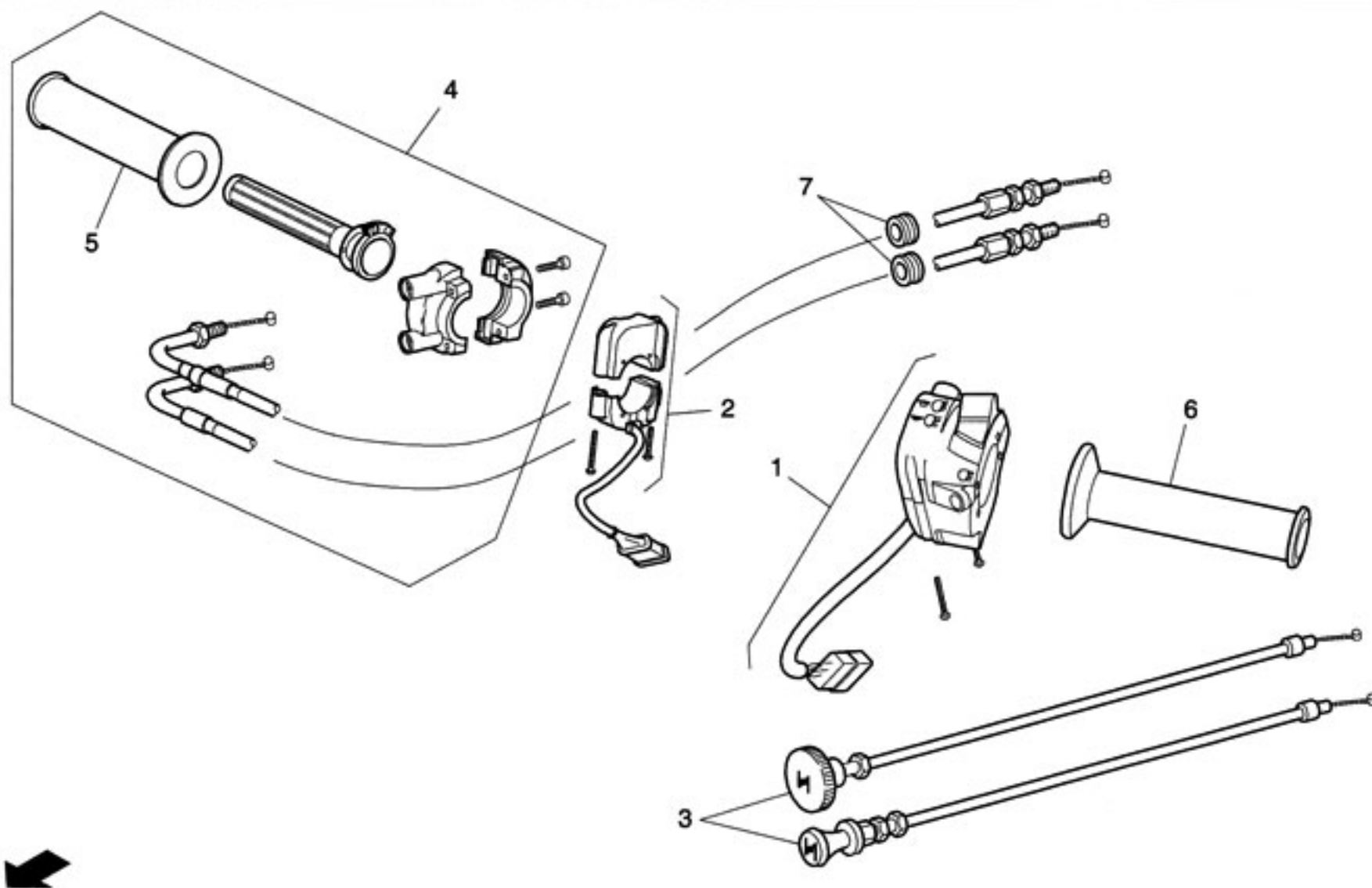


Ref.	Descrizione	Description	Year	Version	Cod. #	Q.ty
1	Rondella in gomma	Rubber washer	-	-	2030408183.0	3
2	Vite M4,8x13	Screw M4,8x13	-	-	2011704813.0	3
3	Silent-block	Silent-block	-	-	2120081810.0	3
4	Rondella 5x15	Washer 5x15	-	-	2030200515.5	3
5	Cruscotto completo	Dashboard complete	-	-	MIEP010165.4	1

Piega

Cod. # MRBP010007.6

Release: 00/2003-07



Ref.	Descrizione	Description	Year	Version	Cod. #	Q.ty
1	Devioluci sinistro	Left switch set	-	-	MIEP010164.4	1
2	Comando arresto motore	Switch set, starter kill	-	-	MIEP010160.4	1
3	Cavo starter	Choke cable	-	(*1)	MIAP010230.4	1
			-	(*1)	17950-MFC-000	1
4	Comando acceleratore	Throttle grip	-	-	MSTP010002.5	1
5	Manopola destra	Right handgrip	-	-	MSTP010035.4	1
6	Manopola sinistra	Left handgrip	-	-	MSTP010036.4	1
7	Silent-block	Silent block	-	-	2120812189.0	2

(*1) = ATTENZIONE: verificare il cavo starter presente sul veicolo e rimontare lo stesso tipo.

CAUTION: Check the start cable mounted on the vehicle and replace it with a start cable of the same type.



Mondial Moto s.p.a.

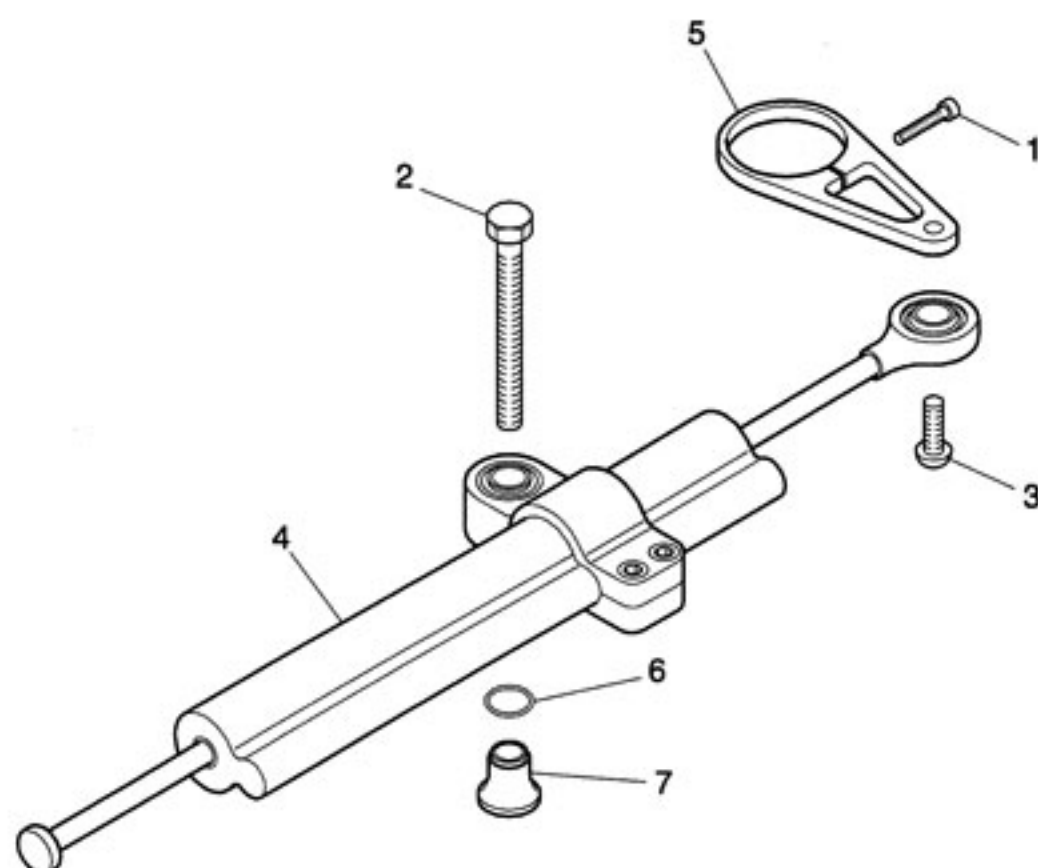
AMMORTIZZATORE DI STERZO STEERING DAMPER

Sez.
Sect.**F**Tav.
Tab.**04**

Piega

Cod. # MRBP010007.6

Release: 00/2003-07



Ref.	Descrizione	Description	Year	Version	Cod. #	Q.ty
1	Vite M5x25	Screw M5x25	-	-	2010420525.0	1
2	Vite M8x45	Screw M8x45	-	-	2010210845.0	1
3	Vite M8x20	Screw M8x20	-	-	2010310820.0	1
4	Ammortizzatore di sterzo	Steering damper	-	-	MSTP010026.4	1
5	Supporto ammortizzatore di sterzo	Steering damper support	-	-	MSTP010062.3	1
6	O-ring	O-ring	-	-	2081078262.0	1
7	Bussola	Bush	-	-	MSTP010049.3	1



Mondial Moto s.p.a.

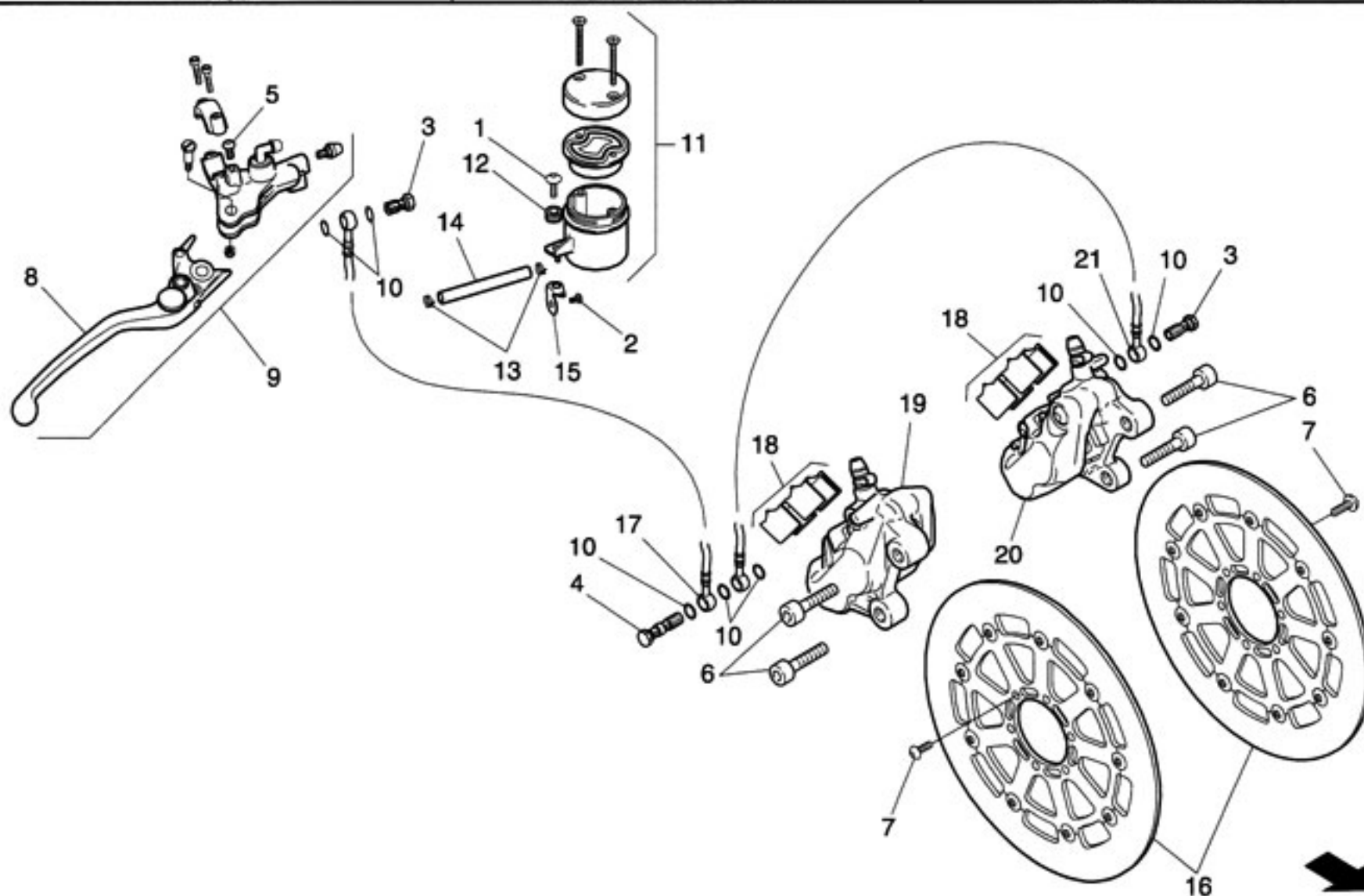
IMPIANTO FRENANTE ANTERIORE FRONT BRAKE SYSTEM

Sez.
Sect.**F**Tav.
Tab.**05**

Piega

Cod. # MRBP010007.6

Release: 00/2003-07



Ref.	Descrizione	Description	Year	Version	Cod. #	Q.ty
1	Vite	Screw	-	-	MFRP010048.4	1
2	Vite M5x10	Screw M5x10	-	-	2010360510.0	1
3	Vite forata	Bored screw	-	-	MFRP010053.4	1
4	Vite forata	Bored screw	-	-	MFRP010054.4	2
5	Vite M6x10	Screw M6x10	-	-	2010320610.0	1
6	Vite M10x1.25x30	Screw M10x1.25X30	-	-	2010491030.0	4
7	Vite M8x20	Screw M8x20	-	-	2010320820.0	12
8	Leva comando freno anteriore	Front brake lever	-	-	MFRP010041.4	1
9	Pompa freno anteriore completa	Front brake pump (complete)	-	-	MFRP010005.5	1
10	Rondella	Washer	-	-	2030000010.0	7
11	Serbatoio liquido freni anteriore	Tank, front brake fluid	-	-	MFRP010006.5	1
12	Silent-block	Silent-block	-	-	MFRP010047.4	1
13	Fascetta	Clamp	-	-	MFRP010050.4	2
14	Tubo in gomma	Rubber tube	-	-	MFRP010049.4	1
15	Supporto serbatoio liquido freno anteriore	Support, front brake fluid tank	-	-	MFRP010056.3	1
16	Disco freno anteriore	Front brake disc	-	-	MFRP010061.4	2
17	Tubo freno anteriore - pompa	Front brake tube - pump	-	-	MFRP010051.4	1
18	Pastiglie freno anteriore (4 pezzi)	Front brake pads (4 pieces)	-	-	MFRP010060.4	2
19	Pinza freno anteriore destra	Right front brake caliper	-	-	MFRP010007.5	1
20	Pinza freno anteriore sinistra	Left front brake caliper	-	-	MFRP010008.5	1
21	Tubo freno anteriore - pinze	Front brake tube - calipers	-	-	MFRP010052.4	1



Mondial Moto s.p.a.

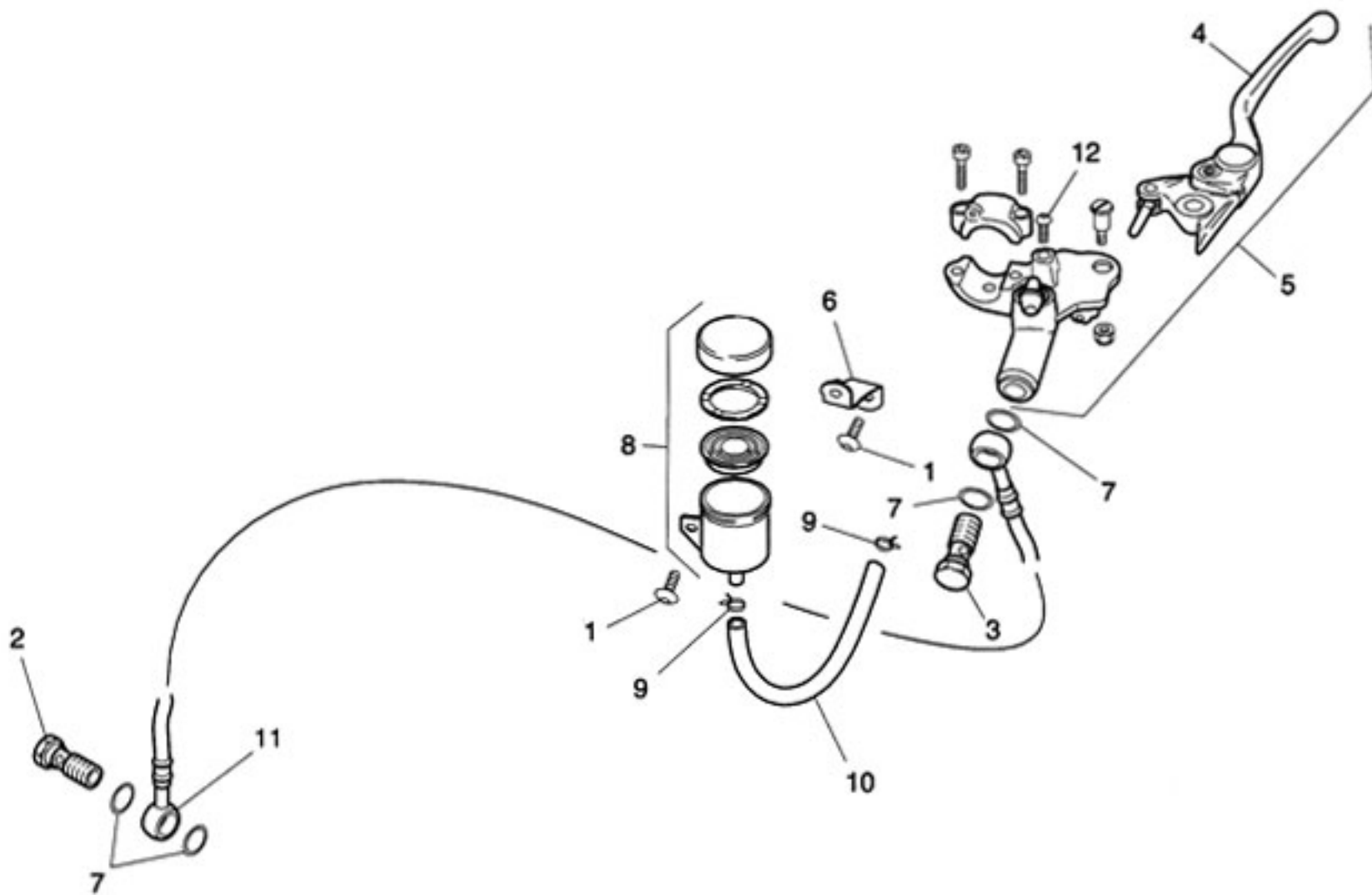
IMPIANTO COMANDO FRIZIONE CLUTCH SYSTEM

Sez.
Sect.**F**Tav.
Tab.**06**

Piega

Cod. # MRBP010007.6

Release: 00/2003-07



Ref.	Descrizione	Description	Year	Version	Cod. #	Q.ty
1	Vite M5x10	Screw M5x10	-	-	2010360510.0	2
2	Vite forata	Screw	-	-	MFRP010075.4	1
3	Vite forata	Screw	-	-	MFRP010053.4	1
4	Leva comando frizione	Clutch lever	-	-	MFRP010065.4	1
5	Pompa frizione completa	Clutch pump, complete	-	-	MFRP010010.5	1
6	Supporto serbatoio liquido frizione	Support, clutch fluid tank	-	-	MFRP010057.3	1
7	Rondella	Washer	-	-	2030000010.0	4
8	Serbatoio liquido frizione	Tank, clutch fluid	-	-	MFRP010009.5	1
9	Fascetta	Clamp	-	-	MFRP010050.4	2
10	Tubo in gomma	Rubber tube	-	-	MFRP010073.4	1
11	Tubo liquido frizione	Tube, clutch fluid	-	-	MFRP010074.4	1
12	Vite M6x10	Screw M6x10	-	-	2010320610.0	1



Mondial Moto s.p.a.

SEMIMANUBRI - STERZO

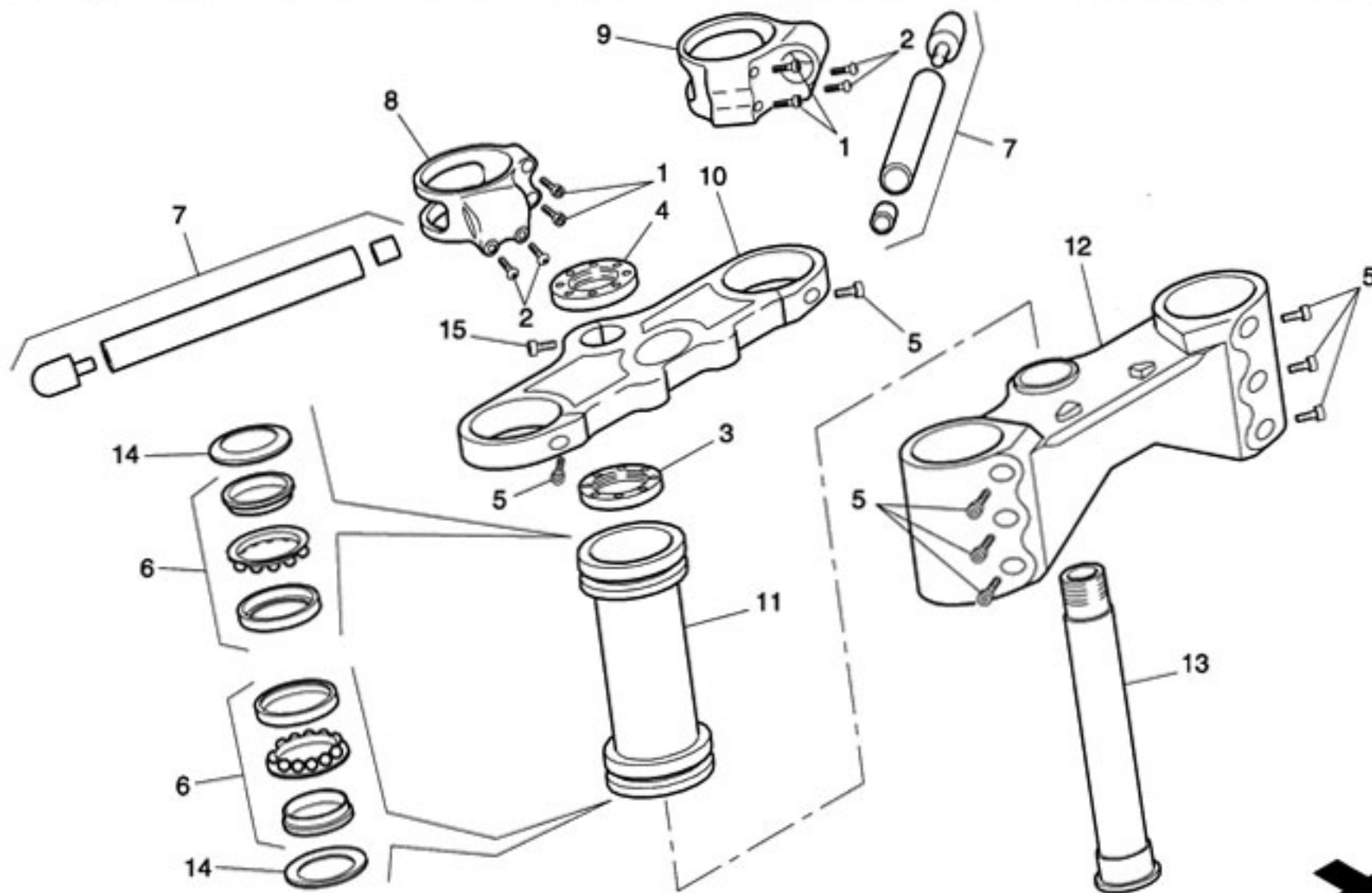
RIGHT/LEFT HANDLEBAR - STEERING STEM

Sez.
Sect.**F**Tav.
Tab.**07**

Piega

Cod. # MRBP010007.6

Release: 00/2003-07



Ref.	Descrizione	Description	Year	Version	Cod. #	Q.ty
1	Vite M6x20	Screw M6x20	-	-	2010410620.0	4
2	Vite M6x20	Screw M6x20	-	-	2010310620.0	4
3	Ghiera inferiore M35x1	Ring nut, lower, M35x1	-	-	MSTP010051.3	1
4	Ghiera superiore M32x1	Ring nut, upper, M32x1	-	-	MSTP010052.3	1
5	Vite M8x20	Screw M8x20	-	-	2010420820.0	8
6	Cuscinetto a sfere	Bearing, balls	-	-	2060103515.0	2
7	Semimanubrio	Handlebar	-	-	MSTP010036.5	2
8	Braccialeto semimanubrio destro	Armlet right handlebar	-	-	MSTP010045.3	1
9	Braccialeto semimanubrio sinistro	Armlet left handlebar	-	-	MSTP010046.3	1
10	Piastra superiore sterzo	Steering upper plate	-	(*1)	MSTP010054.3	1
			-	(*2)	MSTP010054.3A	1
11	Cannotto sterzo	Steering head	-	-	MSTP010044.3	1
12	Piastra inferiore sterzo	Steering lower plate	-	-	MSTP010055.3	1
13	Piantone sterzo	Steering stem	-	-	MSTP010053.3	1
14	Parapolvere	Dust seal	-	-	2050035554.0	2
15	Vite M8x20	Screw M8x20	-	(*2)	2010480820.0	1

(*1) = fino al telaio/up to frame # ZA9SP102PG7100034

(*2) = dal telaio/as of frame # ZA9SP102PG7100035



Mondial Moto s.p.a.

KIT SERRATURE LOCKS KIT

Sez.
Sect.

F

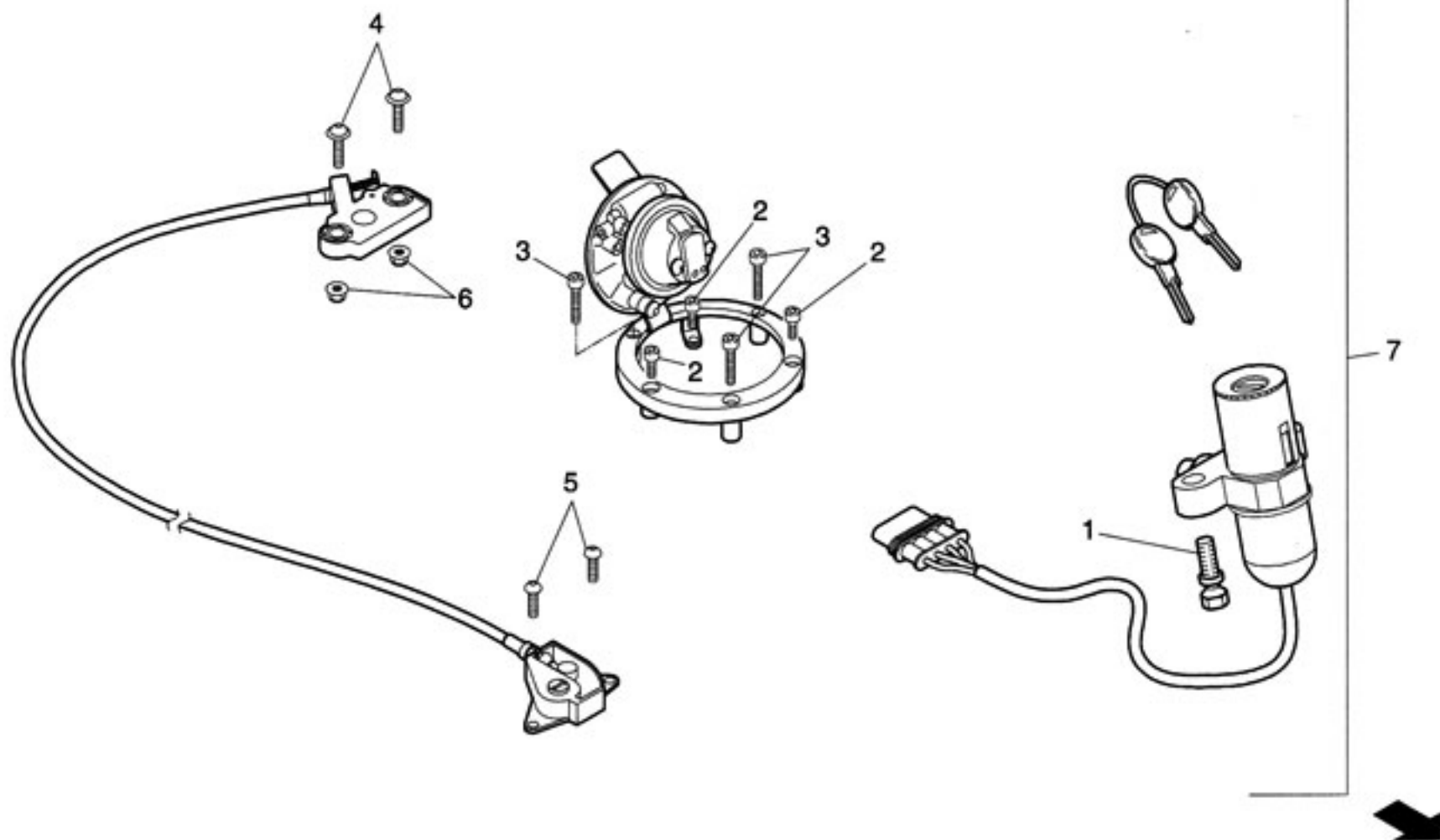
Tav.
Tab.

08

Piega

Cod. # MRBP010007.6

Release: 00/2003-07



Ref.	Descrizione	Description	Year	Version	Cod. #	Q.ty
1	Vite a rompere	Screw one-way	-	-	MIEP010159.4	2
2	Vite M5x12	Screw M5x12	-	-	2010410512.0	4
3	Vite M5x30	Screw M5x30	-	-	2010410530.0	3
4	Vite M6x20	Screw M6x20	-	-	2010360620.0	2
5	Vite M6x10	Screw M6x10	-	-	2010320610.0	2
6	Dado M6	M6 nut	-	-	2020500006.0	2
7	Kit serrature	Lock set	-	-	MSVP010037.5	1



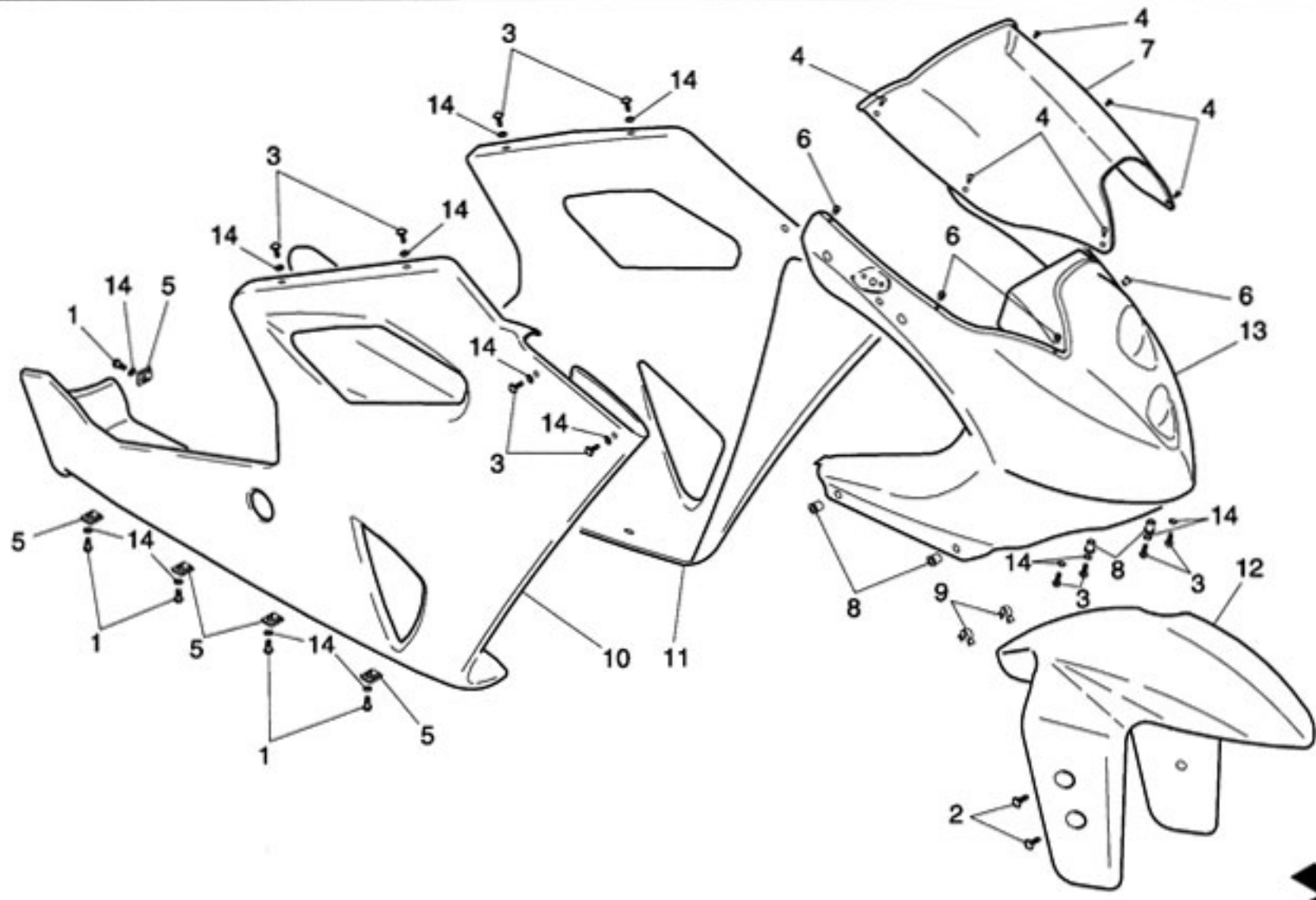
Mondial Moto s.p.a.

**CARENATURE - PARAFANGO
FAIRINGS - MUDGUARD**Sez.
Sect.**F**Tav.
Tab.**09**

Piega

Cod. # MRBP010007.6

Release: 00/2003-07



Ref.	Descrizione	Description	Year	Version	Cod. #	Q.ty
1	Pernetto sgancio rapido	Quick release, bolt	-	-	MSVP010192.4	5
2	Vite M6x12	Screw M6x12	-	-	2010360612.0	4
3	Vite M6x16	Screw M6x16	-	-	2010360616.0	12
4	Vite M4x12	Screw M4x12	-	-	2010340412.0	6
5	Sgancio rapido	Quick release	-	-	MSVP010191.4	5
6	Gommino filettato M4	Rubber element M4, threaded	-	-	MSVP010176.4	6
7	Plexiglass	Plexiglass	-	-	MSVP010175.4	1
8	Gommino filettato M6	Rubber element M6, threaded	-	-	MSVP010291.4	6
9	Fascetta passatubo Ø 8	Hose clamp Ø 8	-	-	2150100008.0	2
10	Carenatura laterale destra	Right fairing	-	Gr	MSVP010343.4	1
			-	Carbon	MSVP010347.4	1
11	Carenatura laterale sinistra	Left fairing	-	Gr	MSVP010344.4	1
			-	Carbon	MSVP010348.4	1
12	Parafango anteriore	Front mudguard	-	Gr	MSVP010345.4	1
			-	Carbon	MSVP010349.4	1
13	Cupolino	Front fairing	-	Gr	MSVP010346.4	1
			-	Carbon	MSVP010350.4	1
14	Rondella nylon Ø 6	Washer, nylon Ø 6	-	-	2030500006.0	17



Mondial Moto s.p.a.

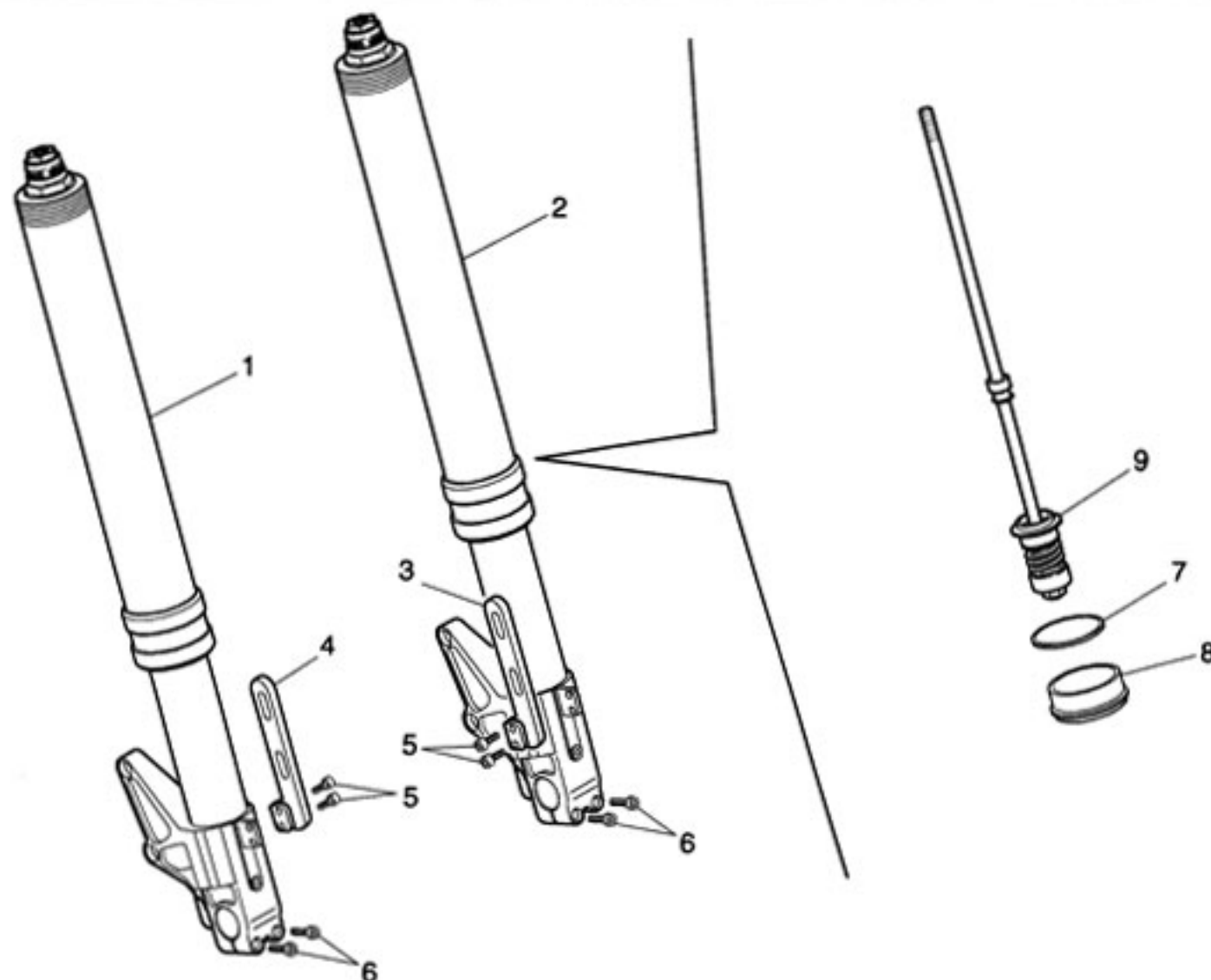
SOSPENSIONE ANTERIORE FRONT FORK

Sez.
Sect.**F**Tav.
Tab.**10**

Piega

Cod. # MRBP010007.6

Release: 00/2003-07



Ref.	Descrizione	Description	Year	Version	Cod. #	Q.ty
1	Gambale forcella destro	Tube, outer	-	-	MSPP010013.5	1
2	Gambale forcella sinistro	Tube, outer	-	-	MSPP010014.5	1
3	Supporto parafrangente anteriore sinistro	Support, left front mudguard	-	-	MSPP010123.3	1
4	Supporto parafrangente anteriore destro	Support, right front mudguard	-	-	MSPP010063.3	1
5	Vite M5x16	Screw M5x16	-	-	2010420516.0	4
6	Vite M8x30	Screw M8x30	-	-	2010490830.0	4
7	Paraolio forcella	Oil seal, fork	-	-	MSPP010101.4	2
8	Parapolvere forcella	Dust seal, fork	-	-	MSPP010102.4	2
9	Pompante	Damper, compl. FR	-	-	MSPP010368.4	2



Mondial Moto s.p.a.

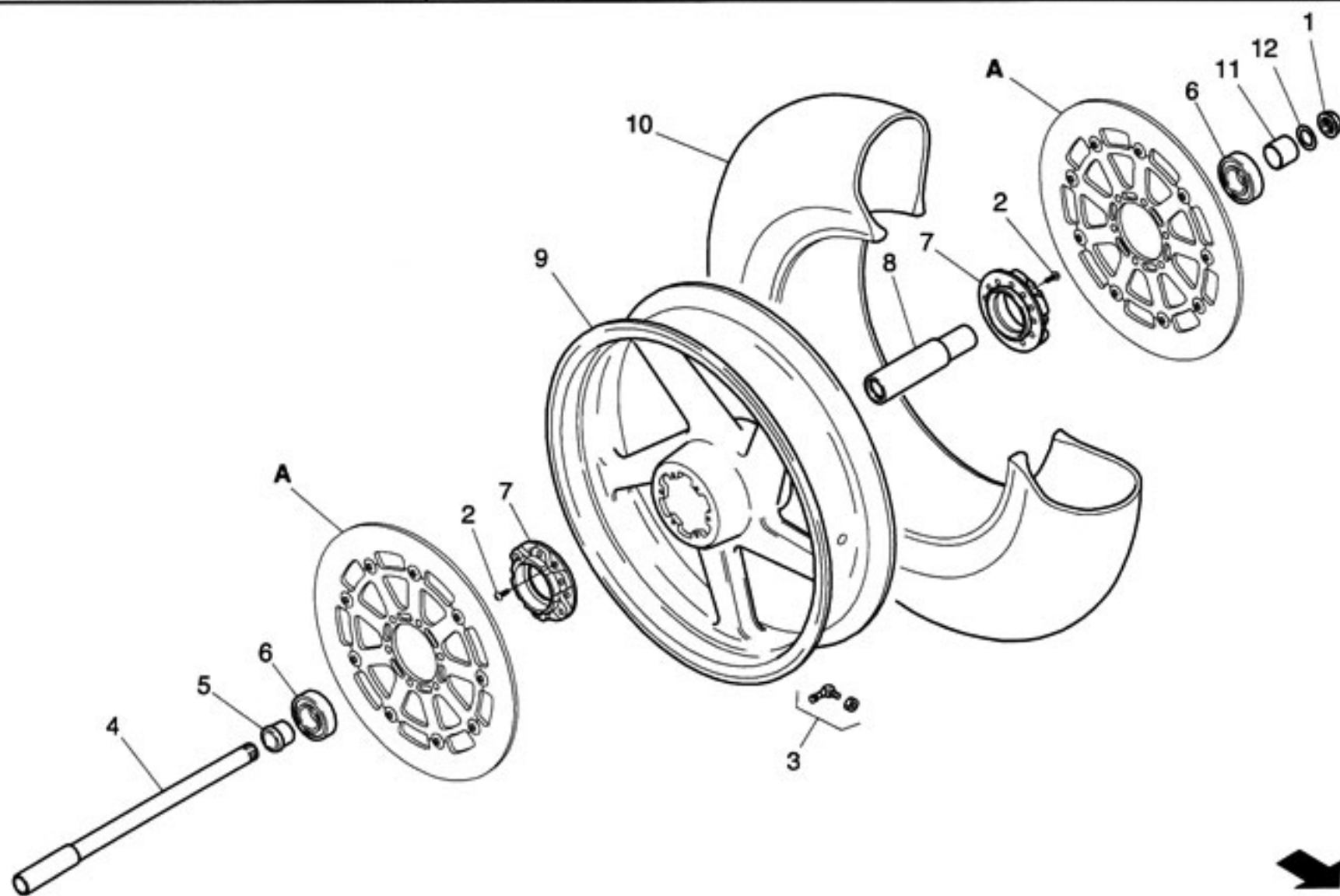
RUOTA ANTERIORE FRONT WHEEL

Sez.
Sect.**F**Tav.
Tab.**11**

Piega

Cod. # MRBP010007.6

Release: 00/2003-07



Ref.	Descrizione	Description	Year	Version	Cod. #	Q.ty
A	Vedi Tav. F05	See Tab. F05				
1	Dado perno ruota anteriore	Nut, wheel, FR	-	-	MRTP010100.3	1
2	Vite M8x16	Screw M8x16	-	-	2010310816.0	12
3	Valvola/cappelletto	Valve, rim	-	-	MRTP010104.4	1
4	Perno ruota anteriore	Axle, front wheel	-	-	MRTP010083.3	1
5	Distanziale destro ruota anteriore	Spacer, right, wheel, FR	-	-	MRTP010081.3	1
6	Cuscinetto	Bearing	-	-	2060103013.0	2
7	Flangia portadisco freno anteriore	Flange, brake disk, FR	-	-	MRTP010079.3	2
8	Distanziale interno ruota anteriore	Spacer, axle wheel, FR	-	-	MRTP010080.3	1
9	Cerchio ruota anteriore	Wheel, rim, FR	-	Gr	MRTP010302.4	1
			-	B	MRTP010351.4	1
10	Pneumatico anteriore	Tyre, FR	-	-	MRTP010107.4	1
11	Distanziale sinistro ruota anteriore	Spacer, left, wheel, FR	-	-	MRTP010082.3	1
12	Rasamento perno ruota anteriore	Washer, axle, wheel, FR	-	-	2100002232.0	1



Mondial Moto s.p.a.

RUOTA POSTERIORE REAR WHEEL

Sez.
Sect.

F

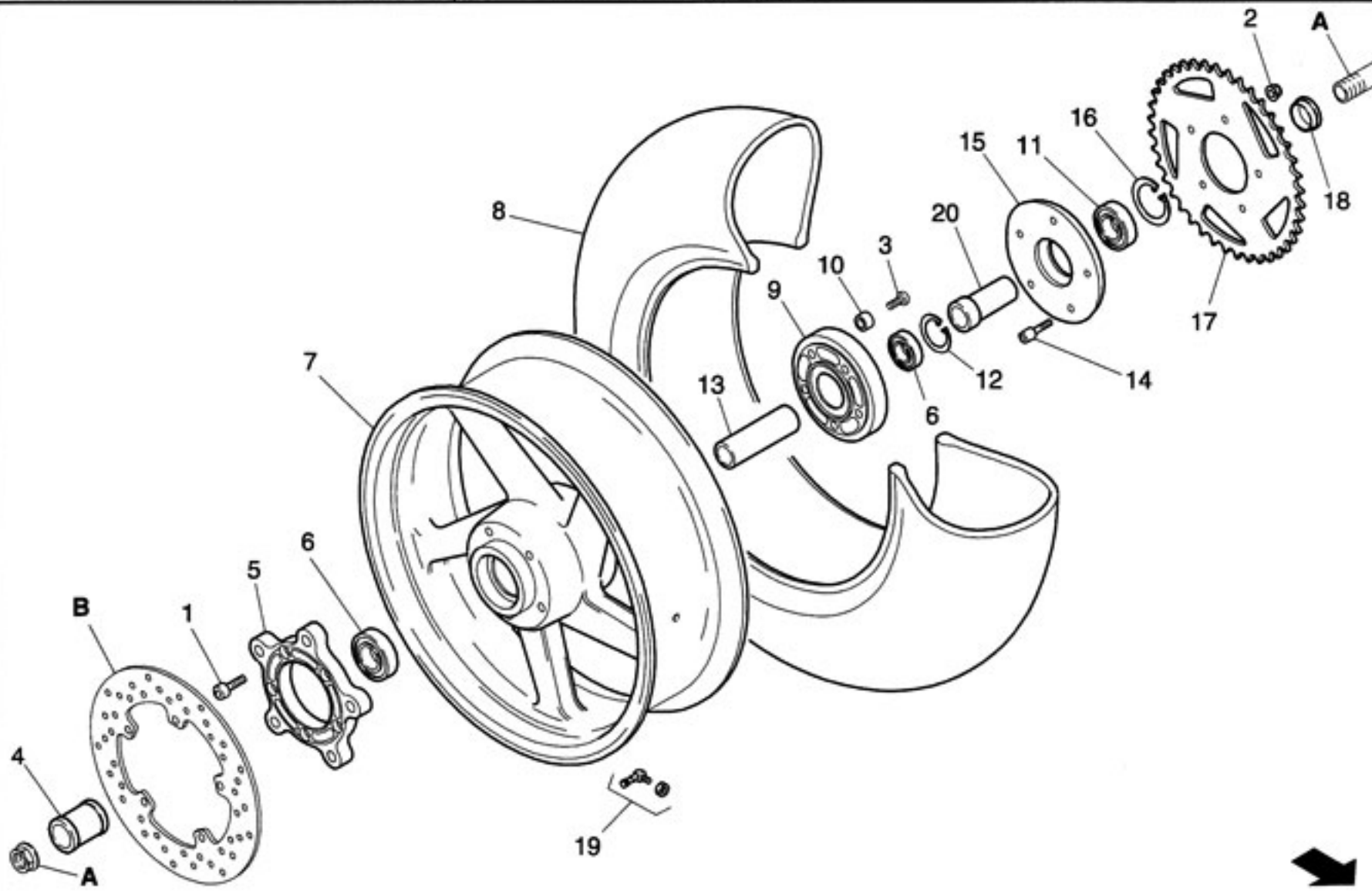
Tav.
Tab.

12

Piega

Cod. # MRBP010007.6

Release: 00/2003-07



Ref.	Descrizione	Description	Year	Version	Cod. #	Q.ty
A	Vedi Tav. F20	See Tab. F20				
B	Vedi Tav. F24	See Tab. F24				
1	Vite M8x16	Screw M8x16	-	-	2010410816.0	5
2	Dado 10x1.25	Nut 10X1.25	-	-	2020711012.0	5
3	Vite M10x20	Screw M10x20	-	-	2010481020.0	5
4	Distanziale destro ruota posteriore	Spacer, right, wheel, RR	-	-	MRTP010093.3	1
5	Flangia portadisco ruota posteriore	Flange, brake disk, RR	-	-	MRTP010085.3	1
6	Cuscinetto	Bearing	-	-	2060102515.0	2
7	Cerchio ruota posteriore	Wheel, rim, RR	-	Gr	MRTP010303.4	1
			-	B	MRTP010352.4	1
8	Pneumatico posteriore	Tyre, RR	-	-	MRTP010108.4	1
9	Flangia portaparastrappi	Flange, thrust	-	-	MRTP010092.3	1
10	Gommino parastrappi	Rubber, thrust	-	-	MRTP010096.3	5
11	Cuscinetto	Bearing	-	-	2060103024.0	1
12	Seeger	Seeger	-	-	2140000052.0	1
13	Distanziale interno ruota posteriore	Spacer, axle, wheel, RR	-	-	MRTP010086.3	1
14	Pernetto parastrappi	Bolt, final driven	-	-	MRTP010090.3	5
15	Portacorona	Flange, sprocket, final driven	-	-	MRTP010087.3	1
16	Seeger	Seeger	-	-	2140000062.0	1
17	Corona Z40	Sprocket Z40	-	-	MRTP010097.3	1
	Corona Z39	Sprocket Z39	-	-	MRTP010298.4	1
18	Boccola cuscinetto parastrappi	Bush, final driven	-	-	MRTP010088.3	1
19	Valvola/cappelletto	Valve, rim	-	-	MRTP010104.4	1
20	Distanziale parastrappi	Spacer, thrust	-	-	MRTP010089.3	1



SERBATOIO CARBURANTE - POMPA CARBURANTE
FUEL TANK - FUEL PUMP

Sez.
Sect.

F

Tav.
Tab.

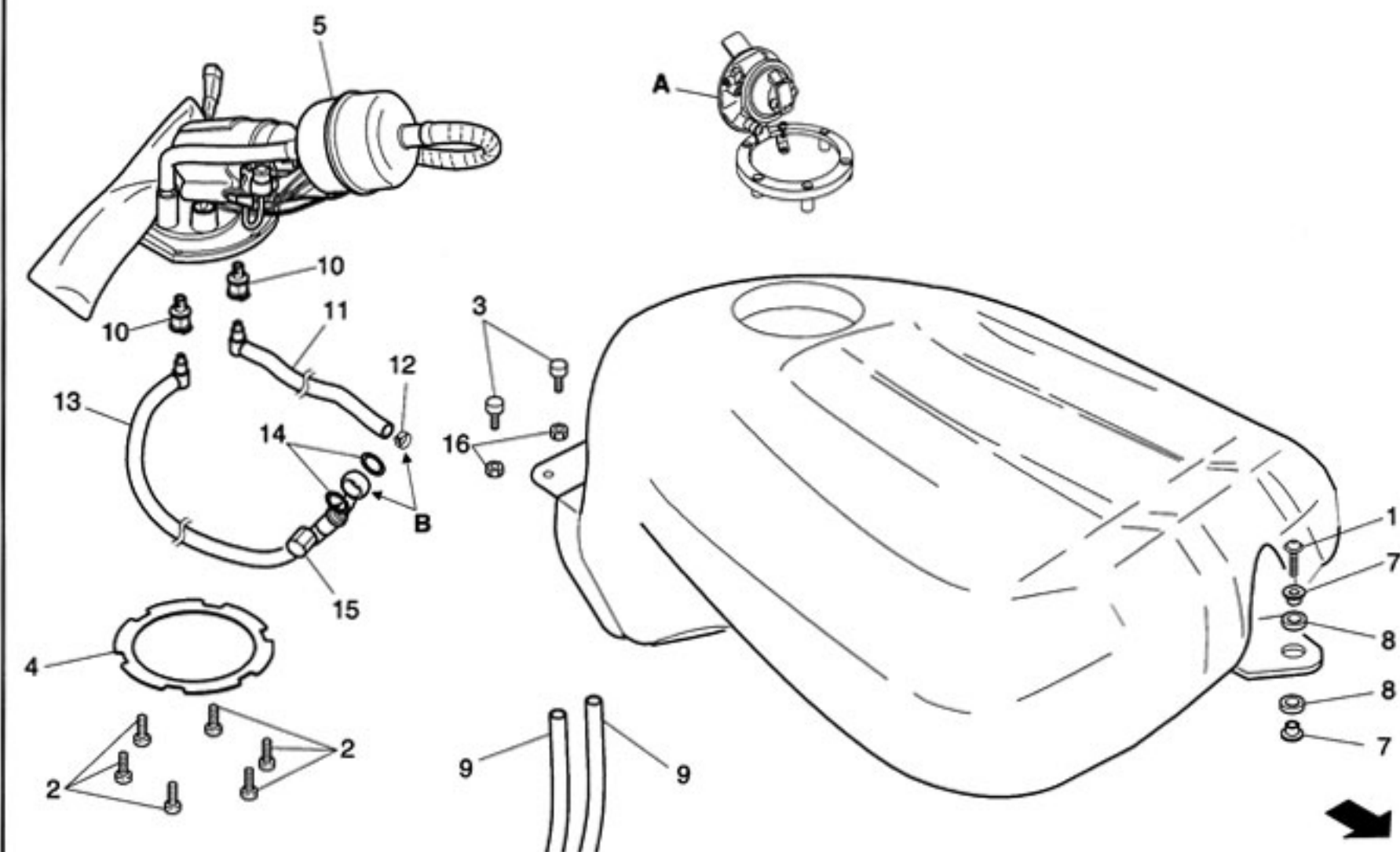
13

Mondial Moto s.p.a.

Piega

Cod. # MRBP010007.6

Release: 00/2003-07



Ref.	Descrizione	Description	Year	Version	Cod. #	Q.ty
A	Vedi Tav. F08	See Tab. F08				
B	Vedi Tav. E18	See Tab. E18				
1	Vite M8x30	Screw M8x30	-	-	2010360830.0	1
2	Vite M6x16	Screw M6x16	-	-	2010480616.0	6
3	Silent-block	Silent-block	-	-	MIAP010232.4	2
4	Guarnizione pompa benzina	Gasket, fuel pump	-	-	MIAP010136.4	1
5	Pompa benzina	Fuel pump	-	-	MIAP010021.5	1
6	Serbatoio carburante 21 ℓ	Fuel tank 21 ℓ	-	Gr (*1)	MIAP010353.4	1
			-	N (*1)	MIAP010354.4	1
	Serbatoio carburante 17 ℓ	Fuel tank 17 ℓ	-	Gr (*2)	MIAP010372.4	1
			-	N (*2)	MIAP010373.4	1
7	Bussola	Bush	-	(*1)	MIAP010130.3	2
			-	(*2)	MIAP010130.3A	1
8	Gommino fissaggio serbatoio	Rubber element, tank	-	-	MIAP010292.4	2
9	Tubo sfiato serbatoio	Breather tube, fuel vapour	-	-	MIAP010127.4	2
10	Innesto rapido benzina maschio	Male quick-release fuel coupling	-	-	MIAP010138.4	2
11	Tubo benzina ritorno	Fuel return tube	-	-	MIAP010141.4	1
12	Fascetta	Clamp	-	-	2151000145.0	1
13	Tubo benzina mandata	Fuel delivery tube	-	-	MIAP010142.4	1
14	Rondella	Washer	-	-	2030000012.0	2
15	Dado cieco	Nut, sealing	-	-	MIAP010105.3	1
16	Dado	Nut	-	-	2020910006.0	2

(*1) = fino al telaio/up to frame # ZA9SP102PG7100078

(*2) = dal telaio/as of frame # ZA9SP102PG7100079



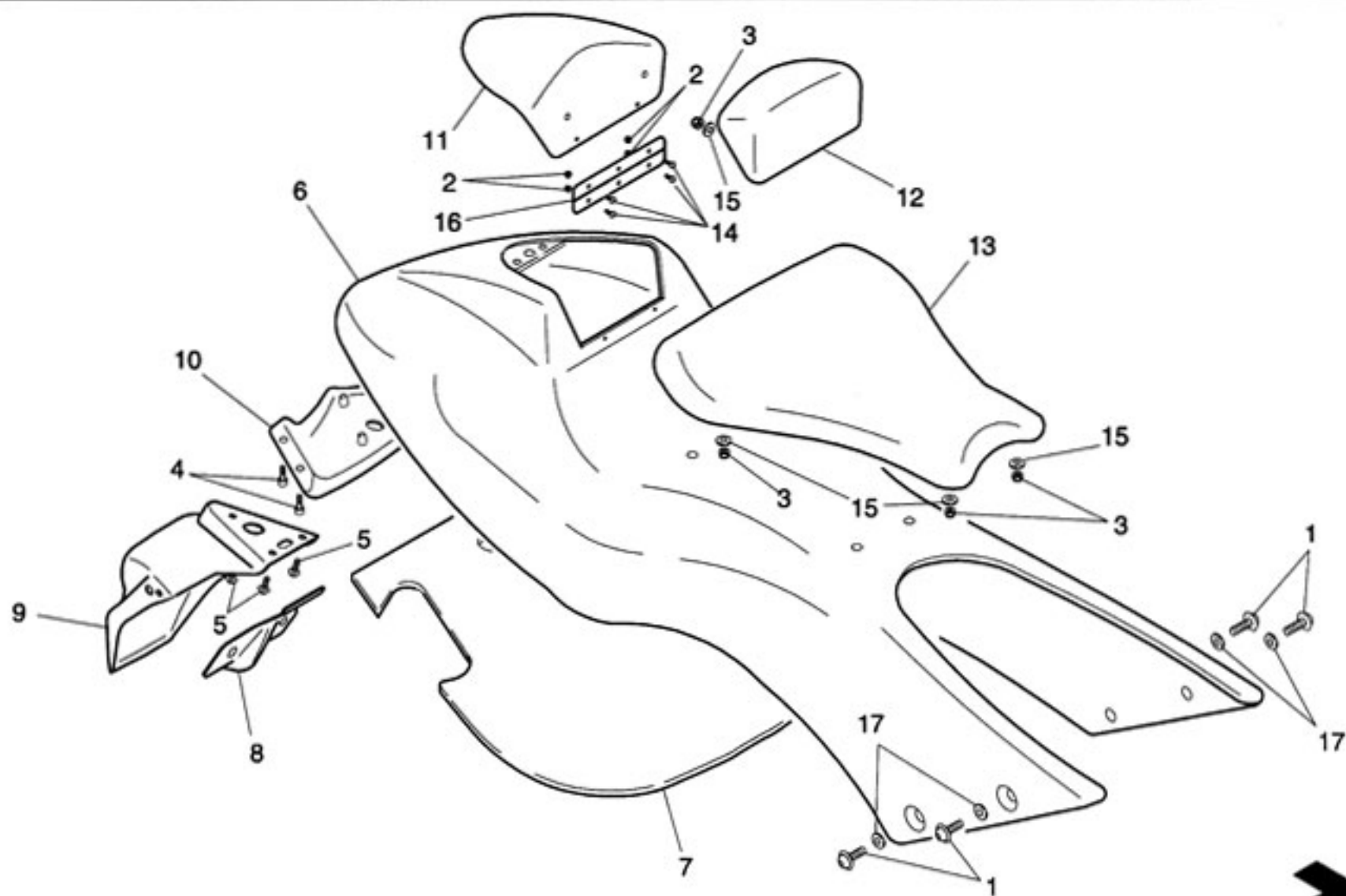
Mondial Moto s.p.a.

**CODONE
REAR FAIRING**Sez.
Sect.**F**Tav.
Tab.**14**

Piega

Cod. # MRBP010007.6

Release: 00/2003-07



Ref.	Descrizione	Description	Year	Version	Cod. #	Q.ty
1	Vite M8x16	Screw M8x16	-	-	2010360816.0	4
2	Dado M4	M4 nut	-	-	2020400004.0	4
3	Dado M5	M5 nut	-	-	MSVP010279.4	6
4	Vite M6x16	Screw M6x16	-	-	2010480616.0	4
5	Vite M6x12	Screw M6x12	-	-	2010360612.0	3
6	Codone	Rear fairing	-	Gr (*1)	MSVP010355.4	1
			-	Carbon (*1)	MSVP010356.4	1
			-	Gr (*2)	MSVP010375.4	
			-	Carbon (*2)	MSVP010376.4	
7	Paracalore interno	Heat guard, inside	-	-	MSVP010335.4	1
8	Chiusura portatarga	Number plate holder lower cover	-	-	MSVP010202.4	1
9	Portatarga	Number plate holder	-	-	MSVP010201.4	1
10	Sottocodone	Rear under-fairing	-	-	MSVP010195.4	1
11	Coperchio vano portadocumenti	Glove compartment cover	-	Gr	MSVP010357.4	1
			-	Carbon	MSVP010358.4	1
12	Schienale sella	Seat cushion	-	-	MSVP010200.4	1
13	Sella	Seat	-	-	MSVP010199.4	1
14	Vite M4x12	Screw M4x12	-	-	2010340412.0	4
15	Rondella	Washer	-	-	MSVP010280.4	6
16	Cerniera coperchio vano portadocumenti	Hinge, glove compartment cover	-	-	MSVP010278.4	1
17	Rasamento Ø8	Shim Ø8	-	-	2100081405.0	4

(*1) = fino al telaio/up to frame # ZA9SP102PG7100087

(*2) = dal telaio/as of frame # ZA9SP102PG7100088



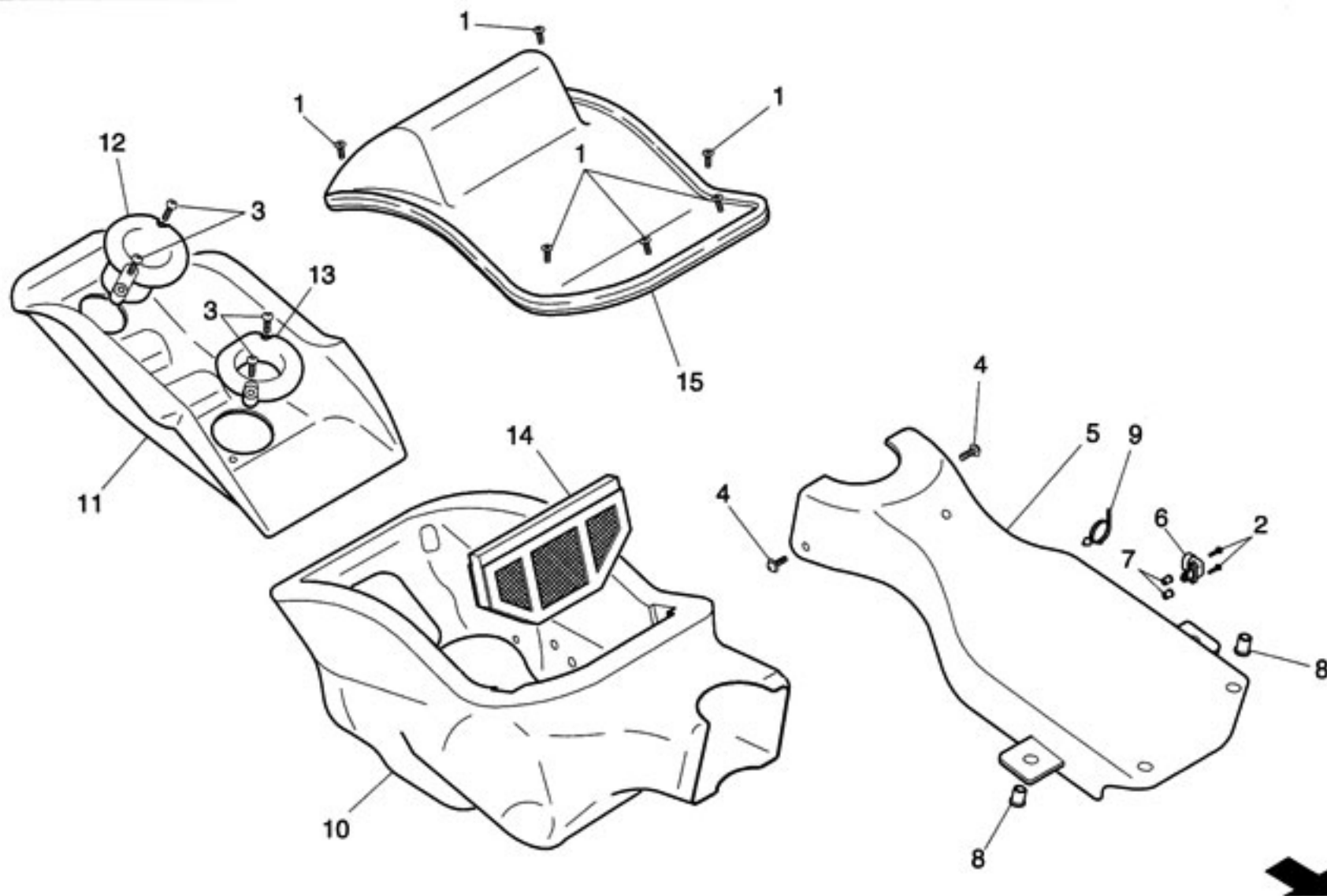
Mondial Moto s.p.a.

**AIR BOX
AIR BOX**Sez.
Sect.**F**Tav.
Tab.**15**

Piega

Cod. # MRBP010007.6

Release: 00/2003-07



Ref.	Descrizione	Description	Year	Version	Cod. #	Q.ty
1	Vite M4x12	Screw M4x12	-	-	2010510412.0	6
2	Vite M3x16	Screw M3x16	-	-	2010310316.0	2
3	Vite cornetto aspirazione	Screw, funnel	-	-	MIAP010319.4	4
4	Vite M6x12	Screw M6x12	-	-	2010360612.0	2
5	Naso air box	Air box duct	-	(*1)	MIAP010121.4	1
			-	(*2)	MIAP010391.4	1
6	Sensore temperatura aria	Air temperature sensor	-	-	MIEP010238.4	1
7	Gommino filettato M3	Rubber element M3, threaded	-	-	MIAP010288.4	2
8	Gommino filettato M6	Rubber element M6, threaded	-	-	MSVP010291.4	2
9	Fascetta	Clamp	-	-	2150105190.0	1
10	Air box	Air box	-	-	MIAP010114.3	1
11	Interno air box	Air box, inside	-	-	MIAP010115.3	1
12	Cornetto aspirazione posteriore	Funnel, RR	-	-	MIAP010318.4	1
13	Cornetto aspirazione anteriore	Funnel, FR	-	-	MIAP010317.4	1
14	Filtro aria	Air cleaner	-	-	MIAP010106.3	1
15	Coperchio cassa filtro	Air filter casing cover	-	-	MIAP010124.1	1

(*1) = fino al telaio/up to frame # ZA9SP102PG7100078

(*2) = dal telaio/as of frame # ZA9SP102PG7100079



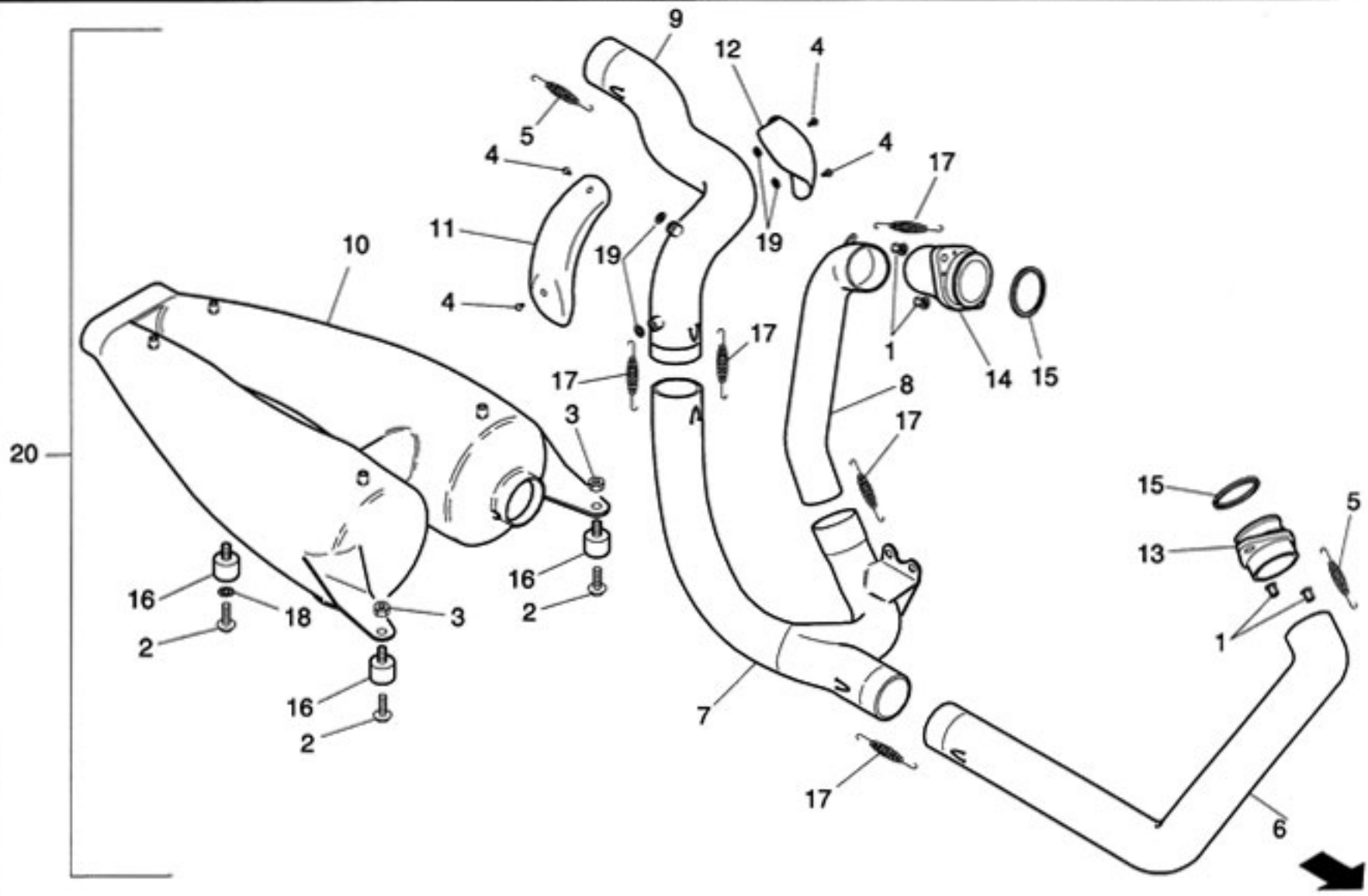
Mondial Moto s.p.a.

IMPIANTO DI SCARICO (fino al telaio # ZA9SP102PG7100025)
EXHAUST SYSTEM (up to frame # ZA9SP102PG7100025)
Sez.
Sect.**F**Tav.
Tab.**16**

Piega

Cod. # MRBP010007.6

Release: 00/2003-07



Ref.	Descrizione	Description	Year	Version	Cod. #	Q.ty
1	Dado scarico	Nut, exhaust	-	-	90304-MM5-000.4	4
2	Vite M8x12	Screw M8x12	-	-	2010310812.0	3
3	Dado M8	M8 nut	-	-	2020210008.0	2
4	Vite M5x6	Screw M5x6	-	-	2010340056.0	4
5	Molla doppia lunga	Spring, long	-	-	MSCP010115.4	2
6	Collettore scarico anteriore	Exhaust manifold, FR	-	-	MSCP010110.4	1
7	Scarico centrale due in uno	Exhaust, two in one	-	-	MSCP010114.4	1
8	Collettore scarico posteriore	Exhaust manifold, RR	-	-	MSCP010111.4	1
9	Collettore silenziatore	Muffler, pipe	-	-	MSCP010112.4	1
10	Silenziatore di scarico	Muffler	-	-	MSCP010117.4	1
11	Paracalore destro	Heat guard, R	-	-	MSCP010119.4	1
12	Paracalore sinistro	Heat guard, L	-	-	MSCP010120.4	1
13	Collettore testa cilindro anteriore	Manifold, cylinder head, FR	-	-	MSCP010306.4	1
14	Collettore testa cilindro posteriore	Manifold, cylinder head, RR	-	-	MSCP010307.4	1
15	Guarnizione scarico	Gasket, exhaust	-	-	MSCP010210.4	2
16	Silent-block	Silent-block	-	-	MSCP010212.4	3
17	Molla doppia corta	Spring, short	-	-	MSCP010305.4	5
18	Rondella Ø8	Washer Ø8	-	-	2030000008.0	1
19	Rondella Ø5	Washer Ø5	-	-	2030400005.0	4
20	Scarico completo	Exhaust, complete	-	-	MSCP010366.4	1



Mondial Moto s.p.a.

IMPIANTO DI SCARICO (dal telaio # ZA9SP102PG7100026)
EXHAUST SYSTEM (as of frame # ZA9SP102PG7100026)

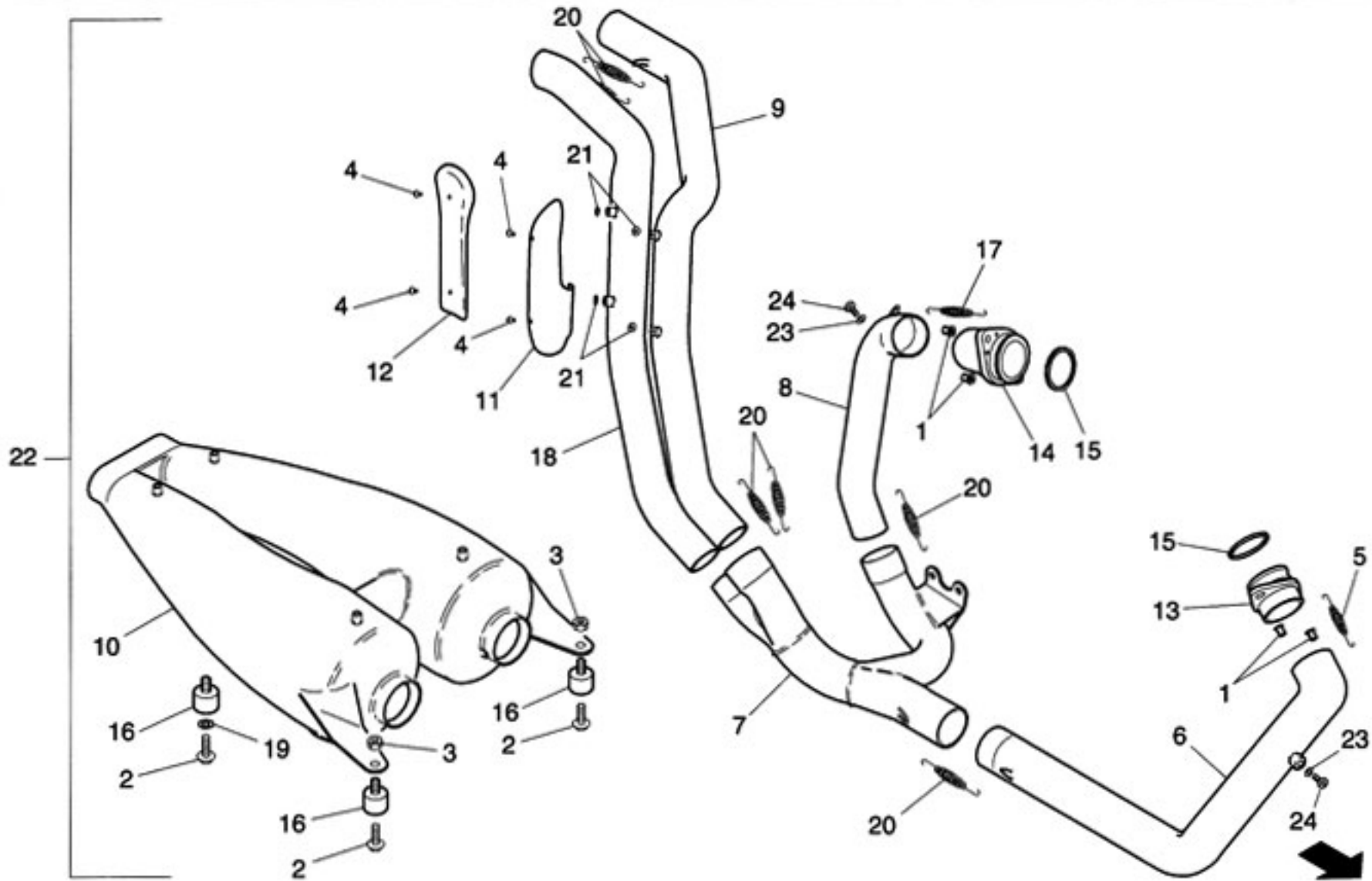
Sez.
 Sect.
F

Tav.
 Tab.
17

Piega

Cod. # MRBP010007.6

Release: 00/2003-07



Ref.	Descrizione	Description	Year	Version	Cod. #	Q.ty
1	Dado scarico	Nut, exhaust	-	-	90304-MM5-000.4	4
2	Vite M8x16	Screw M8x16	-	-	2010310816.0	3
3	Dado M8	M8 nut	-	-	2020210008.0	2
4	Vite M5x6	Screw M5x6	-	-	2010340056.0	4
5	Molla doppia lunga	Spring, long	-	-	MSCP010115.4	1
6	Collettore scarico anteriore	Exhaust manifold, FR	-	-	MSCP010377.4	1
7	Scarico centrale 2-1-2	Exhaust, 2-1-2	-	-	MSCP010378.4	1
8	Collettore scarico posteriore	Exhaust manifold, RR	-	-	MSCP010379.4	1
9	Collettore sinistro silenziatore	Manifold, silencer, L	-	-	MSCP010380.4	1
10	Silenziatore di scarico	Muffler	-	-	MSCP010381.4	1
11	Paracalore anteriore	Heat guard, FR	-	-	MSCP010382.4	1
12	Paracalore posteriore	Heat guard, RR	-	-	MSCP010383.4	1
13	Collettore testa cilindro anteriore	Manifold, cylinder head, FR	-	-	MSCP010306.4	1
14	Collettore testa cilindro posteriore	Manifold, cylinder head, RR	-	-	MSCP010307.4	1
15	Guarnizione scarico	Gasket, exhaust	-	-	MSCP010210.4	2
16	Silent-block	Silent-block	-	-	MSCP010212.4	3
17	Molla doppia corta	Spring, short	-	-	MSCP010305.4	1
18	Collettore destro silenziatore	Manifold, silencer, R	-	-	MSCP010386.4	1
19	Rondella Ø8	Washer Ø8	-	-	2030000008.0	1
20	Molla doppia media	Spring, medium	-	-	MSCP010387.4	6
21	Rondella Ø5	Washer Ø5	-	-	2030400005.0	4
22	Scarico completo	Exhaust, complete	-	-	MSCP010389.4	1
23	Rondella CO	Washer, CO	-	-	MSCP010393.4	2
24	Vite CO	Screw, CO	-	-	MSCP010394.4	2



Mondial Moto s.p.a.

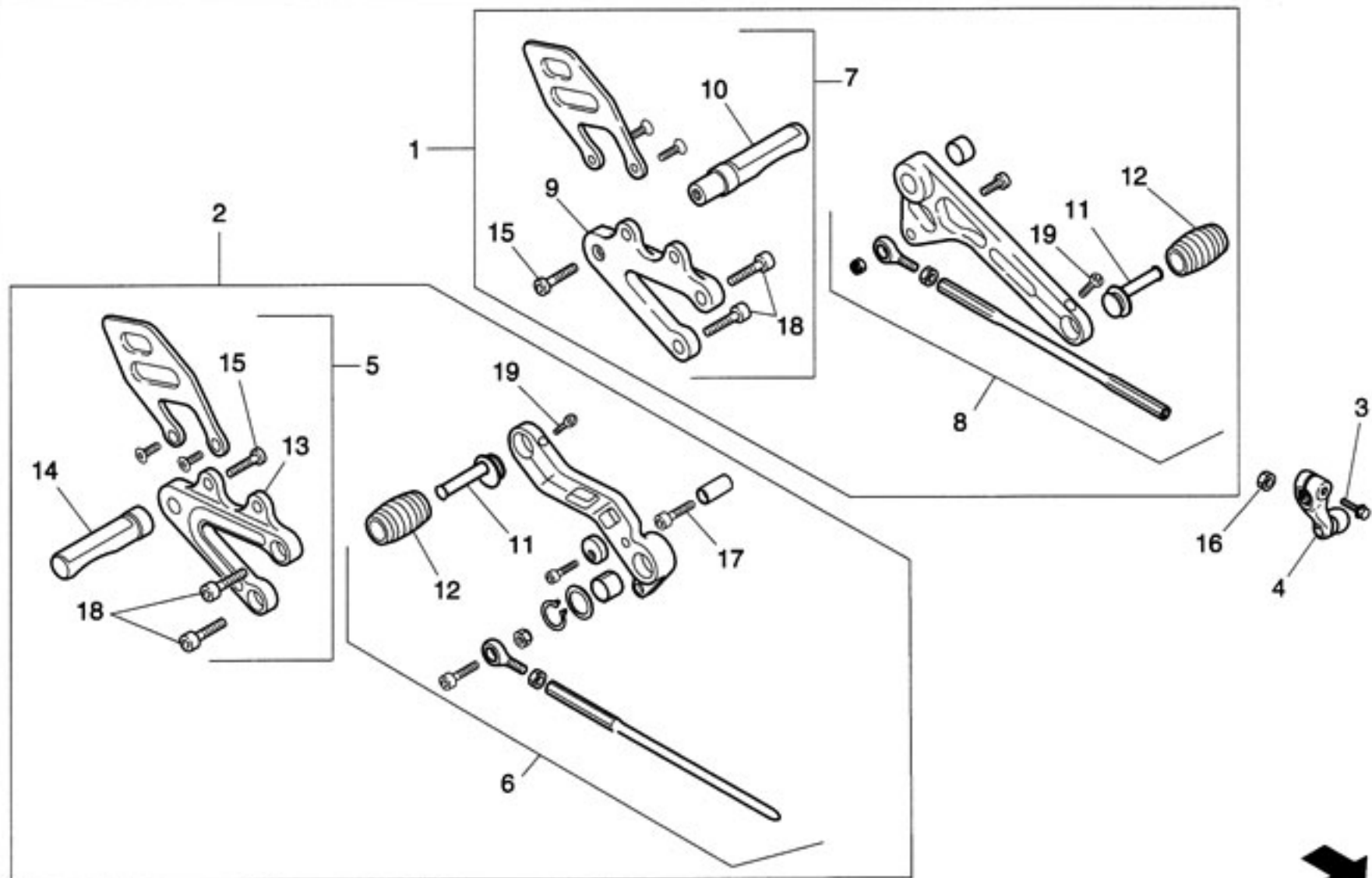
**LEVE COMANDI CAMBIO
E FRENO POSTERIORE, PEDANE**
GEAR LEVER, REAR BRAKE LEVER, FOOTRESTS

Sez.
Sect.**F**Tav.
Tab.**18**

Piega

Cod. # MRBP010007.6

Release: 00/2003-07



Ref.	Descrizione	Description	Year	Version	Cod. #	Q.ty
1	Kit pedana sinistra completa	Kit, footrest compl., L	-	-	MPD010035.5	1
2	Kit pedana destra completa	Kit, footrest compl., R	-	-	MPD010034.5	1
3	Vite 6x20	Screw 6x20	-	-	MPD010103.4	1
4	Rinvio comando cambio testa snodo	Arm, gear change	-	-	MPD010098.4	1
5	Kit poggiapiede destro completo	Kit, main step compl., R	-	-	MPDP010040.5	1
6	Kit leva freno posteriore completo	Brake lever compl., RR	-	-	MPDP010039.5	1
7	Kit poggiapiede sinistro completo	Kit, main step compl., L	-	-	MPDP010041.5	1
8	Kit leva cambio completo	Kit, gear lever, compl.	-	-	MPDP010038.5	1
9	Piastra supporto pedana sinistra	Holder, footrest, L	-	-	MPDP010122.3	1
10	Poggiapiede sinistro	Footrest, L	-	-	MPDP010074.3	1
11	Eccentrico leva	Eccentric, lever	-	-	MPDP010070.3	2
12	Gommino eccentrico	Rubber, eccentric	-	-	MPDP010209.4	2
13	Piastra supporto pedana destra	Holder, footrest, R	-	-	MPDP010064.3	1
14	Poggiapiede destro	Footrest, R	-	-	MPDP010065.3	1
15	Vite 8x25	Screw 8x25	-	-	2010480825.0	2
16	Dado M6 sinistro	Nut M6, arm fixing	-	-	2020300006.0	1
17	Vite 6x50	Screw 6x50	-	-	2010410650.0	1
18	Vite 8x20	Screw 8x20	-	-	2010480820.0	4
19	Vite 4x16	Screw 4x16	-	-	2010410416.0	2



Mondial Moto s.p.a.

CAVALLETTO STAND

Sez.
Sect.

F

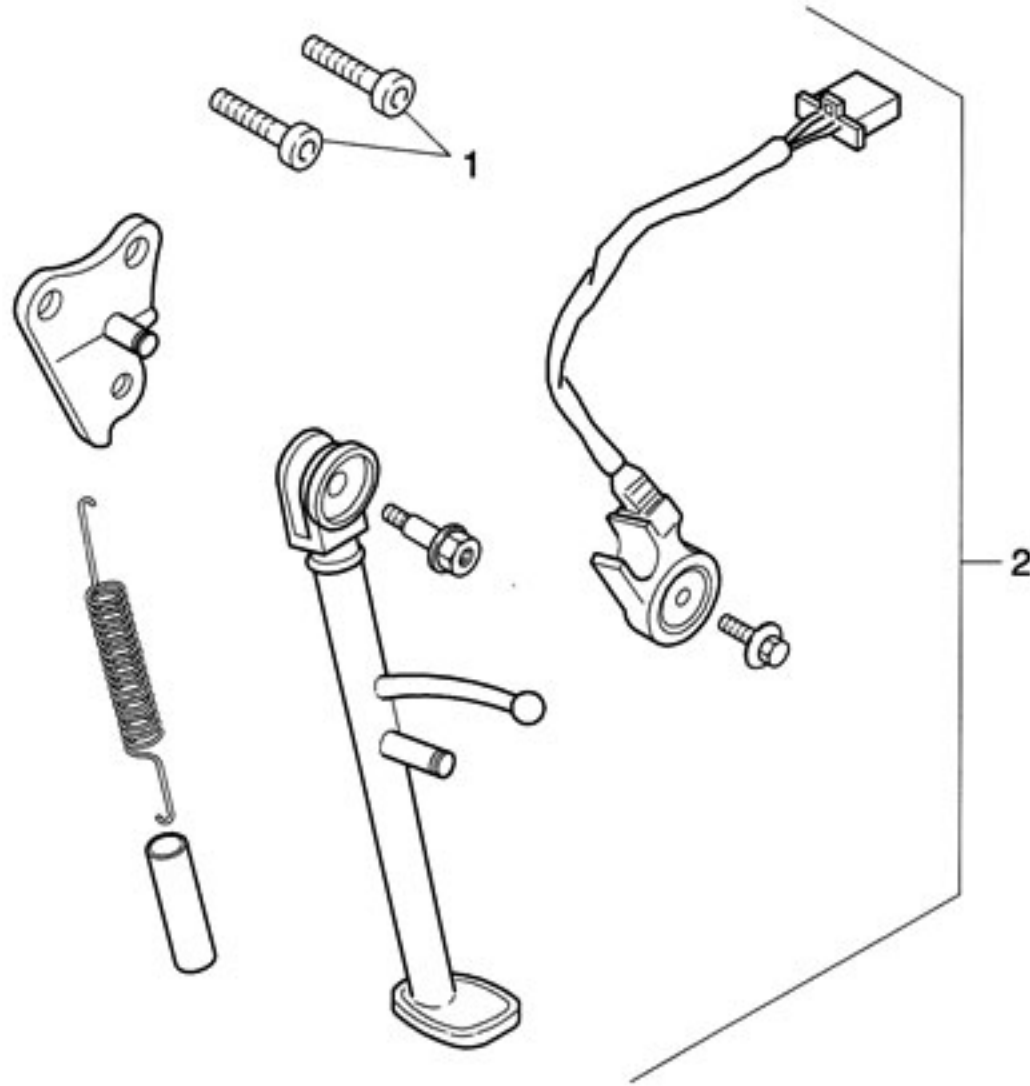
Tav.
Tab.

19

Piega

Cod. # MRBP010007.6

Release: 00/2003-07



Ref.	Descrizione	Description	Year	Version	Cod. #	Q.ty
1	Vite M10x20	Screw M10x20	-	-	2010481020.0	2
2	Cavalletto completo	Stand, compl.	-	(*1)	MTEP010001.4	1
			-	(*2)	MTEP010388.4	1

(*1) = fino al telaio/up to frame # ZA9SP102PG7100078

(*2) = dal telaio/as of frame # ZA9SP102PG7100079



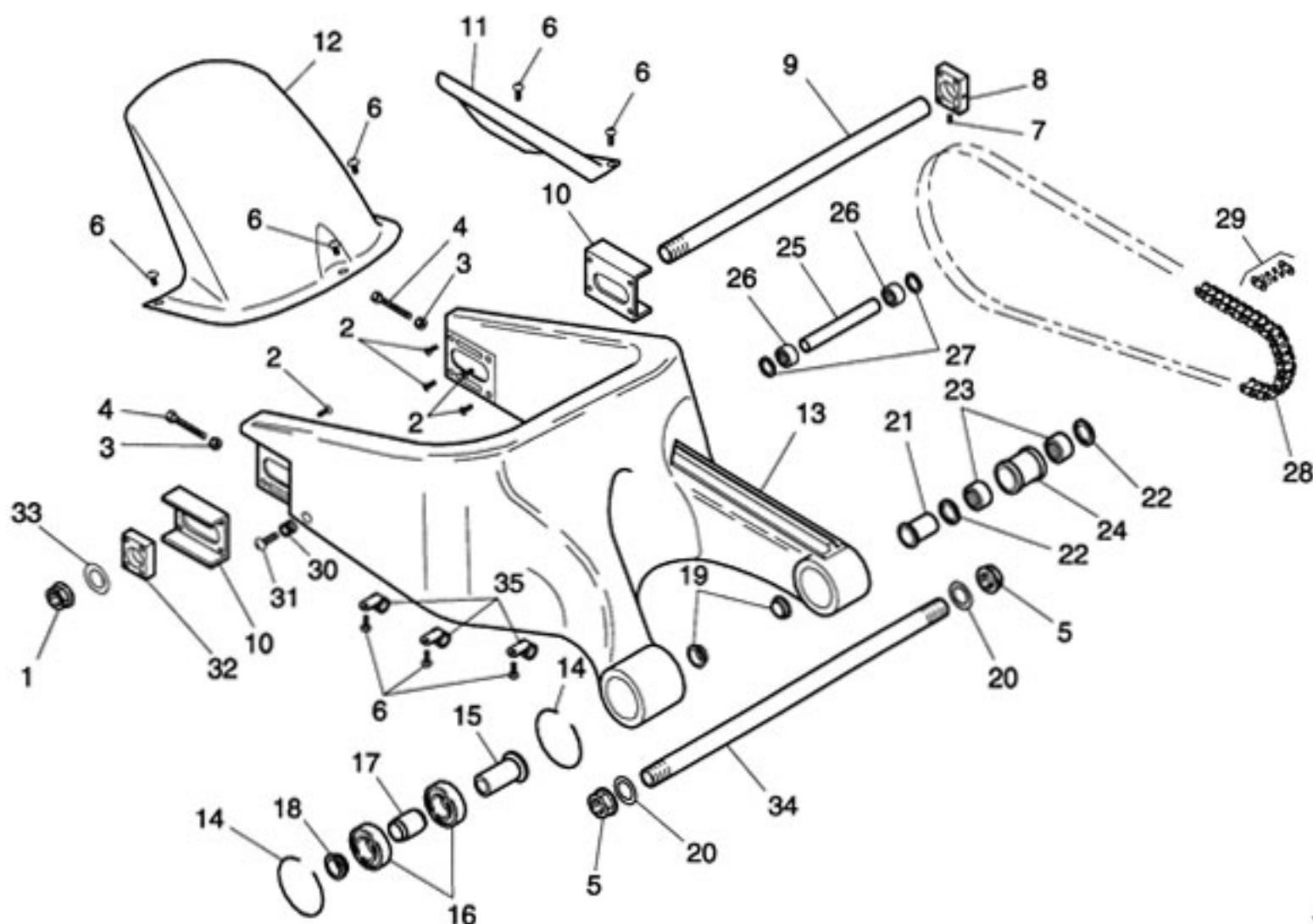
Mondial Moto s.p.a.

**FORCELLONE POSTERIORE
SWING ARM**Sez.
Sect.**F**Tav.
Tab.**20**

Piega

Cod. # MRBP010007.6

Release: 00/2003-07



Ref.	Descrizione	Description	Year	Version	Cod. #	Q.ty
1	Dado M24x1,5	Nut M24x1.5	-	-	MRTP010101.3	1
2	Vite M5x10	Screw M5x10	-	-	2010510510.0	8
3	Dado M8	M8 nut	-	-	2020210008.0	2
4	Vite M8x55	Screw M8x55	-	-	MFCP010274.4	2
5	Dado M20x1,5	Nut M20x1.5	-	-	MFCP010102.3	2
6	Vite M5x10	Screw M5x10	-	-	2010360510.0	8
7	Grano M4x10	Dowel M4x10	-	-	2011810410.0	1
8	Tendicatena filettato	Bolt, chain tensioner	-	-	MRTP010095.3	1
9	Perno ruota posteriore	Axle, wheel, RR	-	-	MRTP010098.3	1
10	Biscotto forcellone	Swing arm, plate	-	-	MFCP010027.3	2
11	Carter copricatena	Chain guard	-	-	MSVP010203.4	1
12	Parafango posteriore	Mudguard, RR	-	-	MSVP010206.4	1
13	Forcellone	Swing arm	-	-	MFCP010015.5	1
14	Seeger	Seeger	-	-	2140010052.0	2
15	Boccola	Bush	-	-	MFCP010031.3	1
16	Cuscinetto	Bearing	-	-	2060102512.0	2
17	Distanziale interno lato frizione	Spacer, clutch side, inside	-	-	MFCP010029.3	1
18	Controboccola	Bush	-	-	MFCP010032.3	1
19	Bussola motore	Bush, engine	-	-	MTEP010003.3	2
20	Rasamento	Shim	-	-	2100002032.0	2
21	Boccola	Bush	-	-	MFCP010030.3	1
22	Paraolio	Oil seal	-	-	20500000254.0	2
23	Cuscinetto	Bearing	-	-	2060202516.0	2
24	Boccola	Bush	-	-	MFCP010028.3	1

Segue/Follow ►



Mondial Moto s.p.a.

FORCELLONE POSTERIORE SWING ARM

Sez.
Sect.

F

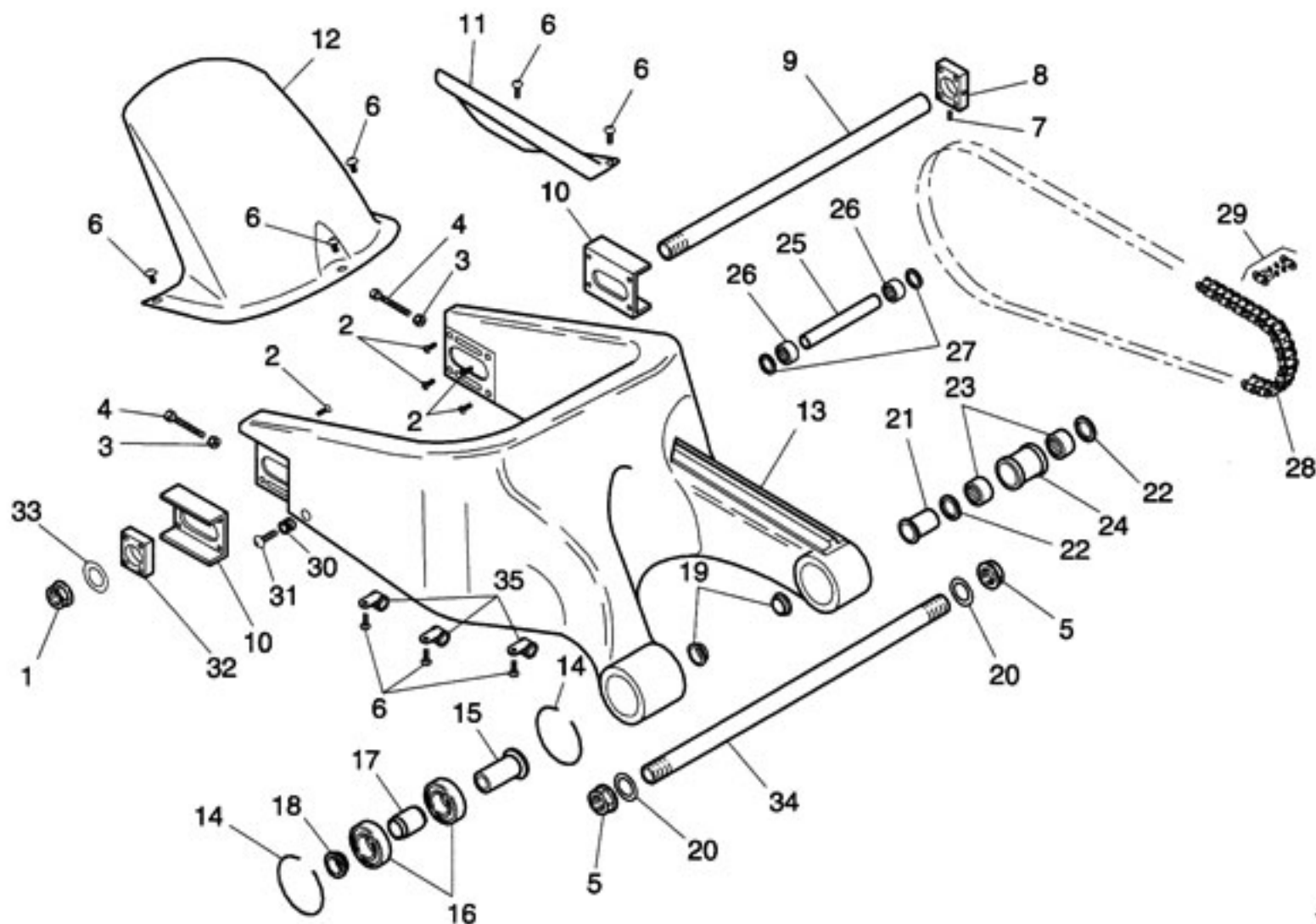
Tav.
Tab.

20a

Piega

Cod. # MRBP010007.6

Release: 00/2003-07



Ref.	Descrizione	Description	Year	Version	Cod. #	Q.ty
25	Boccola	Bush	-	-	MFCP010026.3	1
26	Cuscinetto	Bearing	-	-	2060201416.0	2
27	Paraolio	Oil seal	-	-	2050001824.0	2
28	Catena di trasmissione	Drive chain	-	-	MRTP010106.4	1
29	Maglia di giunzione	Drive chain, joint	-	-	MRTP010359.4	1
30	Supporto cavalletto posteriore	Support, rear stand	-	-	MFCP010121.3	2
31	Vite M8x30	Screw M8x30	-	-	2010510830.0	2
32	Tendicatena	Chain tensioner	-	-	MRTP010094.3	1
33	Rasamento	Shim	-	-	2100002436.0	1
34	Perno forcellone	Axle, swing arm	-	-	MFCP010036.3	1
35	Passacavo	Cable guide	-	-	2150400008.0	3



Mondial Moto s.p.a.

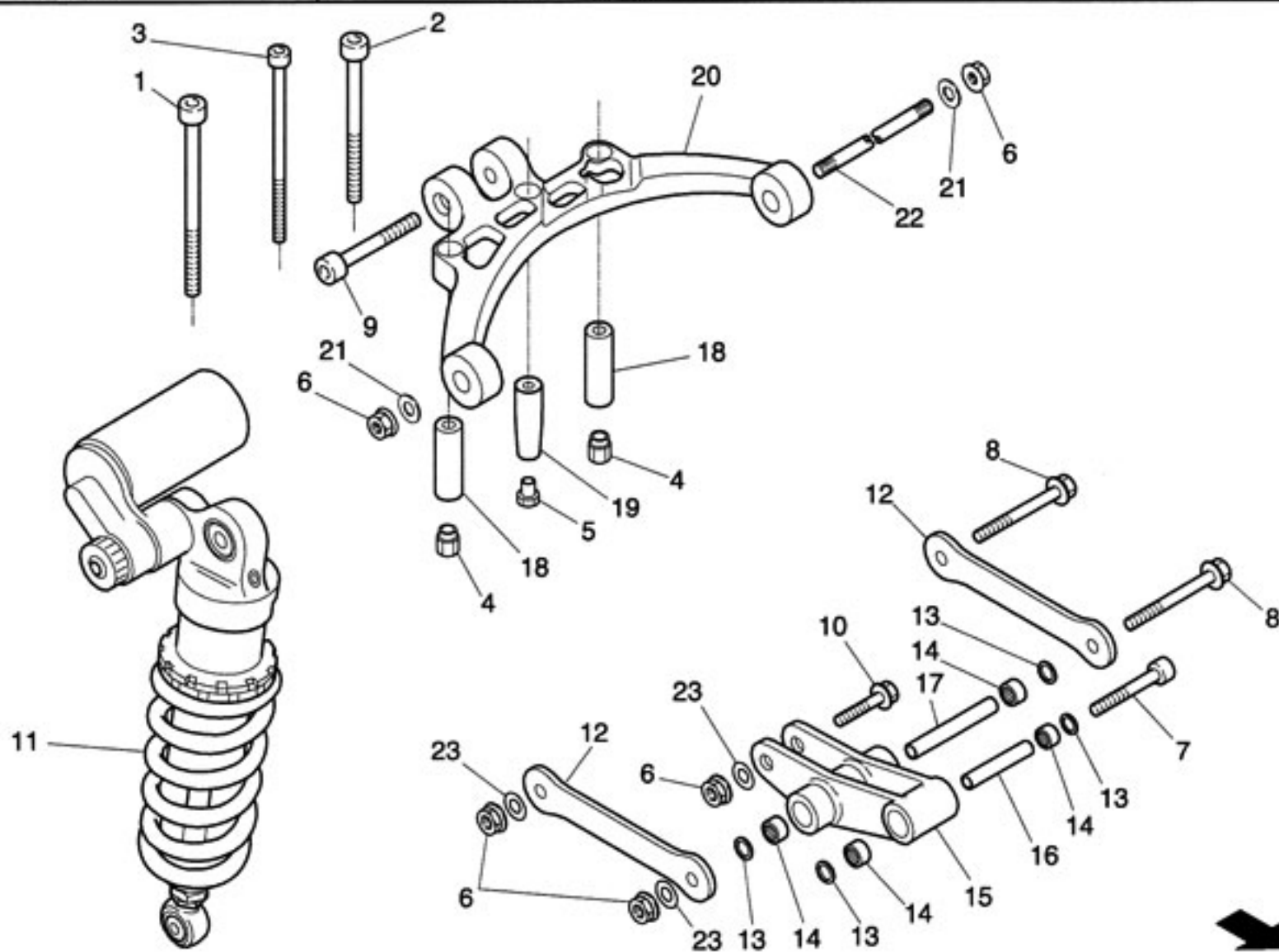
AMMORTIZZATORE POSTERIORE REAR SHOCK ABSORBER

Sez.
Sect.**F**Tav.
Tab.**21**

Piega

Cod. # MRBP010007.6

Release: 00/2003-07



Ref.	Descrizione	Description	Year	Version	Cod. #	Q.ty
1	Vite M10x1.25X128	Screw M10x1.25X128	-	-	MTEP010020.3	1
2	Vite M10x1.25X124	Screw M10x1.25X124	-	-	MTEP010021.3	1
3	Vite M8x1.25X124	Screw M8x1.25X124	-	-	MTEP010022.3	1
4	Dado M10x1.25	Nut M10x1.25	-	-	MTEP010104.3	2
5	Dado M8x1.25	Nut M8x1.25	-	-	MTEP010103.3	1
6	Dado M12	Nut M12	-	-	2020610012.0	5
7	Vite M12x95	Screw M12x95	-	-	MFCP010040.3	1
8	Vite M12x125.5	Screw M12x125.5	-	-	MFCP010041.3	2
9	Vite M12x50	Screw M12x50	-	-	MFCP010039.3	1
10	Vite M12x56	Screw M12x56	-	-	MFCP010038.3	1
11	Ammortizzatore posteriore	Shock absorber	-	-	MSPP010089.4	1
12	Biella collegamento	Connecting rod	-	-	MFCP010037.3	2
13	Paraolio	Oil seal	-	-	2050001824.0	4
14	Cuscinetto gabbia a rulli	Bearing, needle	-	-	2060201416.0	4
15	Bilancere	Balance arm	-	-	MFCP010024.3	1
16	Boccola	Bush	-	-	MFCP010025.3	1
17	Boccola	Bush	-	-	MFCP010026.3	1
18	Distanziale	Spacer	-	-	MTEP010004.3	2
19	Distanziale	Spacer	-	-	MTEP010005.3	1
20	Supporto ammortizzatore	Support, shock absorber	-	-	MTEP010016.3	1
21	Rondella	Washer	-	-	2030201225.0	2
22	Perno centrale motore	Axle, engine, central	-	-	MTEP010023.3	1
23	Rasamento	Shim	-	-	2100012524.0	3



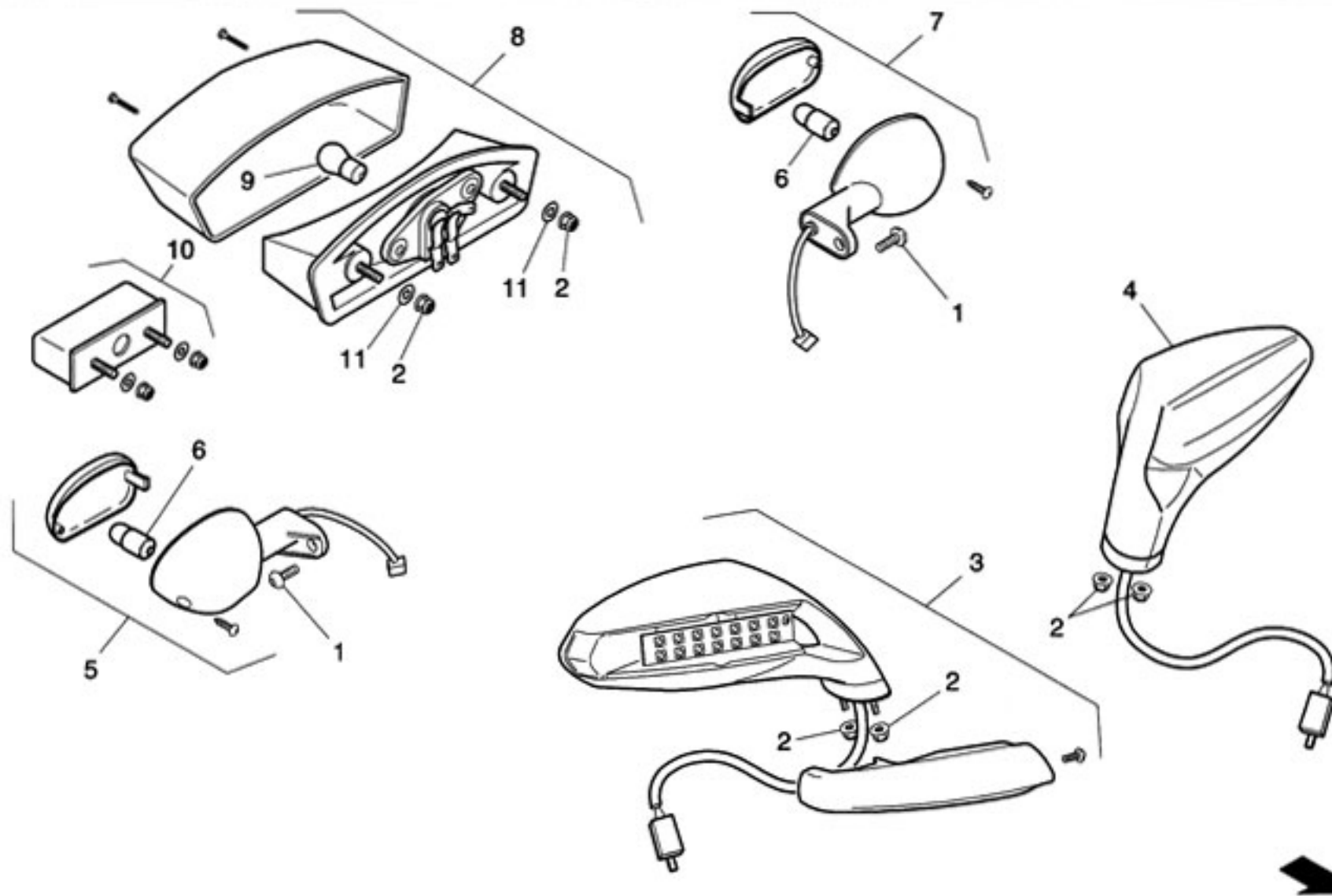
Mondial Moto s.p.a.

INDICATORI DI DIREZIONE, FANALE POSTERIORE
DIRECTION INDICATORS, REAR LIGHT
Sez.
Sect.**F**Tav.
Tab.**22**

Piega

Cod. # MRBP010007.6

Release: 00/2003-07



Ref.	Descrizione	Description	Year	Version	Cod. #	Q.ty
1	Vite M6x20	Screw M6x20	-	-	2010310620.0	2
2	Dado M6	M6 nut	-	-	20206100006.3	6
3	Specchietto retrovisore destro	Mirror, R	-	-	MSVP010024.5	1
4	Specchietto retrovisore sinistro	Mirror, L	-	-	MSVP010025.5	1
5	Indicatore di direzione posteriore destro	Indicator, RR, R	-	-	MIEP010167.4	1
6	Lampadina indicatore di direzione	Bulb, indicator	-	-	MIEP010360.4	2
7	Indicatore di direzione posteriore sinistro	Indicator, RR, L	-	-	MIEP010304.4	1
8	Fanale posteriore completo	Taillight, compl.	-	-	MIEP010166.4	1
9	Lampadina fanale posteriore	Bulb, taillight	-	-	MIEP010361.4	1
10	Luce targa completa	Light, number plate, compl.	-	-	MIEP010260.4	1
11	Rondella gomma	Washer, rubber	-	-	2030408183.0	2



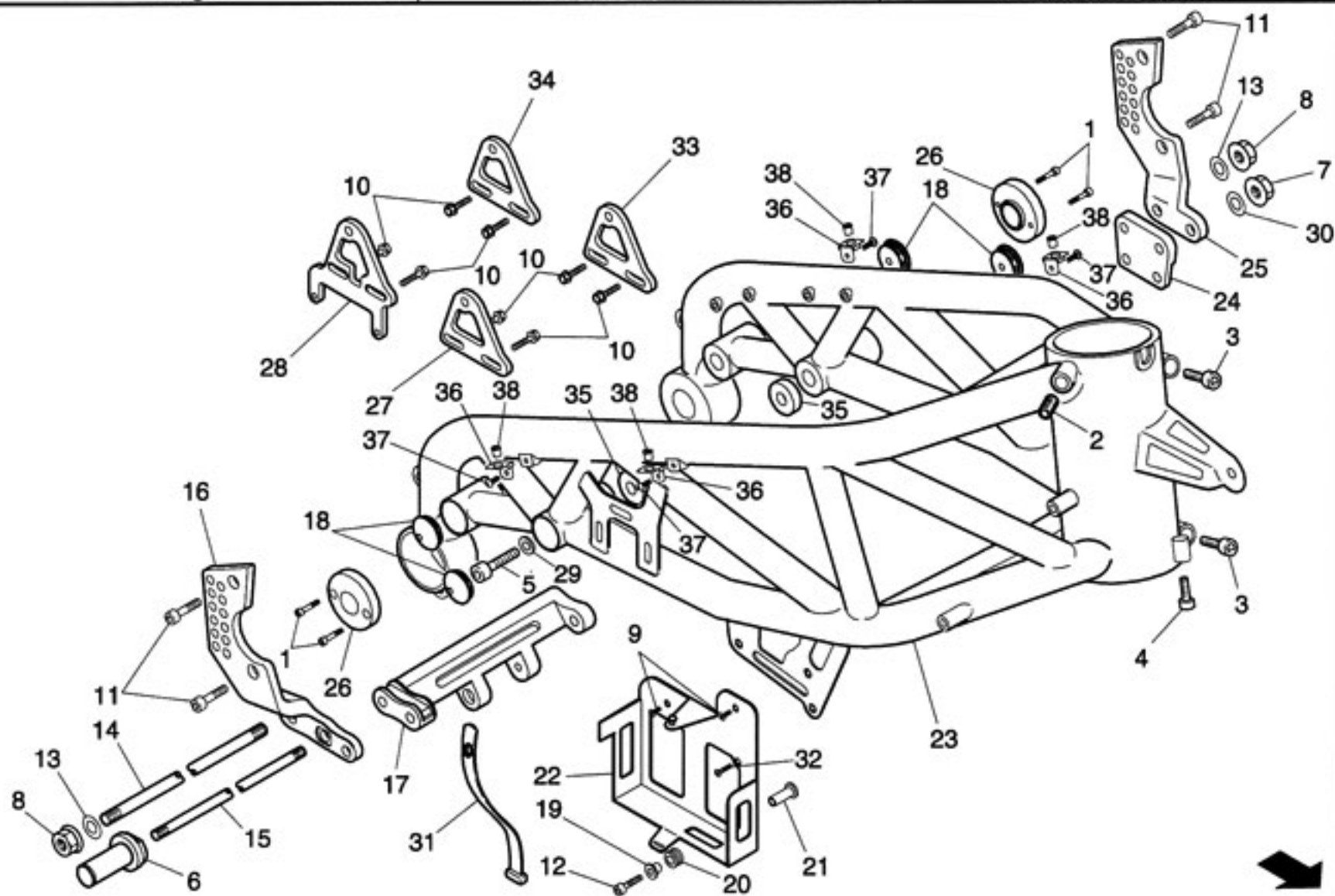
Mondial Moto s.p.a.

**TELAIO
FRAME**Sez.
Sect.**F**Tav.
Tab.**23**

Piega

Cod. # MRBP010007.6

Release: 00/2003-07



Ref.	Descrizione	Description	Year	Version	Cod. #	Q.ty
1	Vite M5x12	Screw M5x12	-	-	2010410512.0	4
2	Grano M12x16	Dowel M12x16	-	-	2011801216.0	1
3	Vite M8x20	Screw M8x20	-	-	2010410820.0	2
4	Vite M8x16	Screw M8x16	-	-	2010410816.0	1
5	Vite attacco superiore motore	Screw, engine upper coupling	-	-	MTEP010119.3	2
6	Boccola fulcro leva freno posteriore	Bush, brake lever, fulcrum	-	-	MTEP010067.3	1
7	Dado M10	Nut, M10	-	-	2020610010.0	1
8	Dado M12	Nut, M12	-	-	2020610012.0	2
9	Vite M6x10	Screw M6x10	-	-	2010510610.0	2
10	Vite M6x20	Screw M6x20	-	-	2010260620.0	8
11	Vite M8x16	Screw M8x16	-	-	2010480816.0	4
12	Vite M8x30	Screw M8x30	-	-	2010490830.0	1
13	Rasamento	Shim	-	-	2100012524.0	2
14	Perno posteriore M12	Axle M12, rear	-	-	MTEP010007.3	1
15	Perno anteriore M10	Axle M10, front	-	-	MTEP010006.3	1
16	Piastra supporto pedana destra	Holder, footrest, R	-	-	MTEP010018.3	1
17	Supporto inferiore motore	Support, engine, lower	-	-	MTEP010017.3	1
18	Tappo telaio	Frame, plug	-	-	MTEP010297.4	4
19	Boccola	Bush	-	-	MTEP010125.3	1
20	Silent-block	Silent-block	-	-	2120101320.0	1
21	Bussola	Bush	-	-	MTEP010112.3	1
22	Telaietto portabatteria	Battery holder	-	-	MTEP010061.3	1
23	Telaio	Frame	-	-	MTEP010001.3	1

Segue/Follow ►



Mondial Moto s.p.a.

**TELAIO
FRAME**

Sez.
Sect.

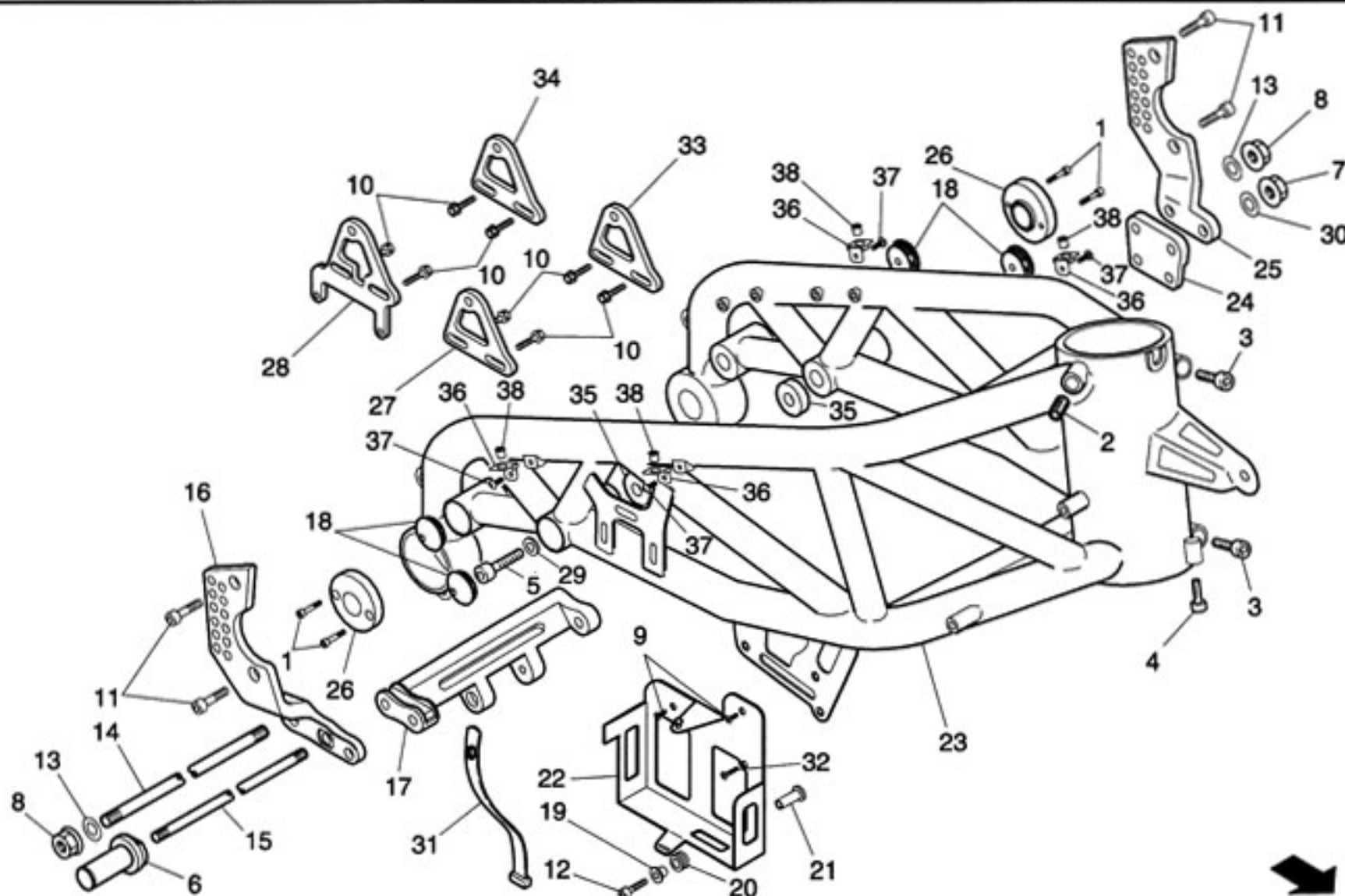
F 23a

Tav.
Tab.

Piega

Cod. # MRBP010007.6

Release: 00/2003-07



Ref.	Descrizione	Description	Year	Version	Cod. #	Q.ty
24	Piastra supporto cavalletto	Plate, stand, support	-	-	MTEP010009.3	1
25	Piastra supporto pedana sinistra	Holder, footrest, L	-	-	MTEP010019.3	1
26	Boccola	Bush	-	-	MTEP010002.3	2
27	Piastra codone FR - R	Plate, rear fairing, FR - R	-	-	MTEP010014.3	1
28	Piastra codone RR - R	Plate, rear fairing, RR - R	-	-	MTEP010015.3	1
29	Rondella	Washer	-	-	2030201225.0	2
30	Rondella	Washer	-	-	2030001021.0	1
31	Elastico portabatteria	Battery holder snap ring	-	-	MTEP010003.4	1
32	Vite 6x16	Screw 6x16	-	-	2010510616.0	1
33	Piastra codone FR - L	Plate, rear fairing, FR - L	-	-	MTEP010150.3	1
34	Piastra codone RR - L	Plate, rear fairing, RR - L	-	-	MTEP010151.3	1
35	Distanziale	Spacer	-	-	MTEP010118.3	2
36	Supporto	Support	-	-	MSVP010190.4	4
37	Vite 6x10	Screw 6x10	-	-	2010320610.0	3
38	Gommino M6	Rubber element M6	-	-	MSVP010291.4	4



Mondial Moto s.p.a.

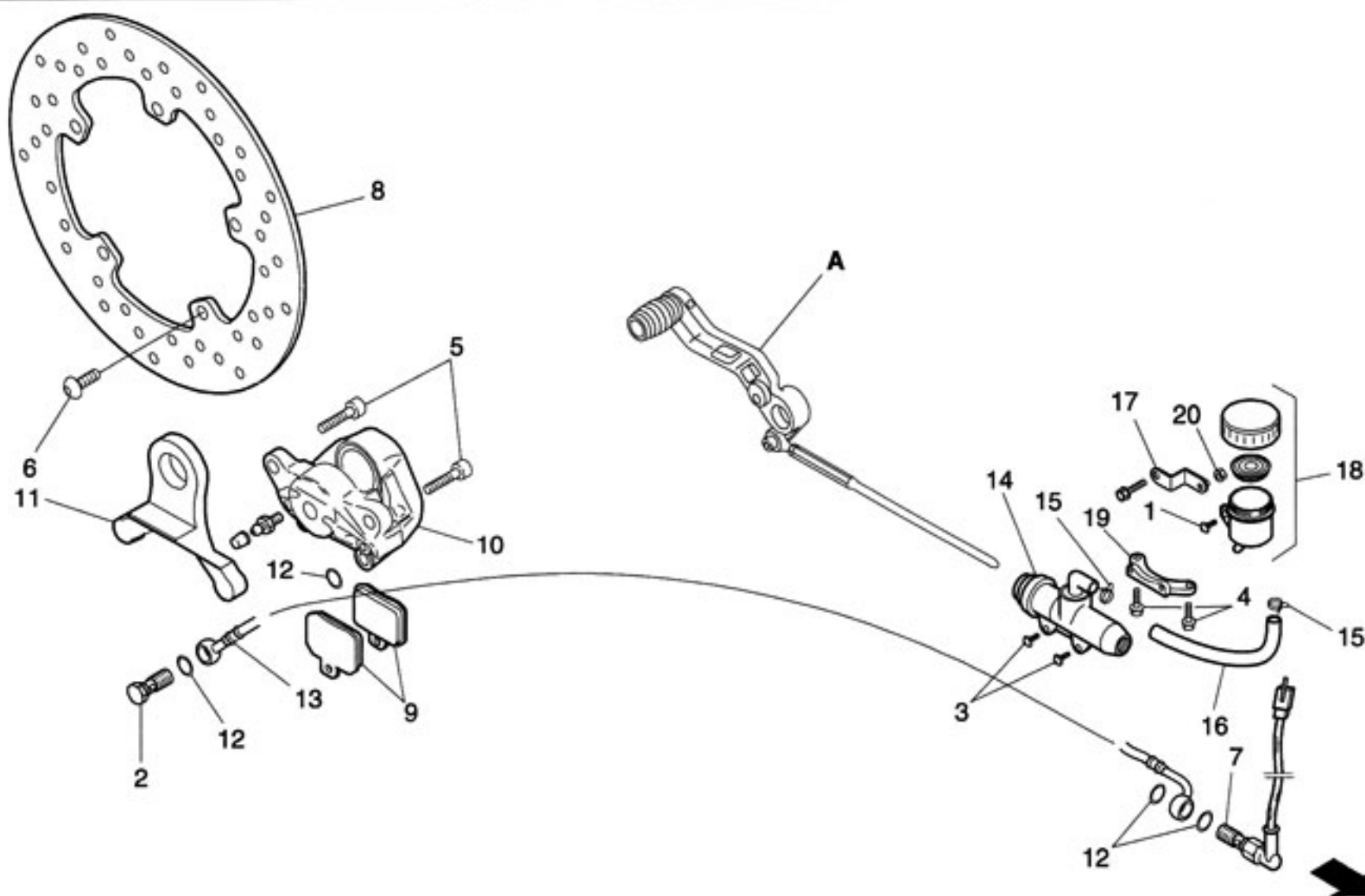
IMPIANTO FRENANTE POSTERIORE REAR BRAKE SYSTEM

Sez.
Sect.**F**Tav.
Tab.**24**

Piega

Cod. # MRBP010007.6

Release: 00/2003-07



Ref.	Descrizione	Description	Year	Version	Cod. #	Q.ty
A	Vedi Tav. F18	See Tab. F18				
1	Vite M5x10	Screw M5x10	-	-	2010360510.0	1
2	Vite forata	Screw	-	-	MFRP010053.4	1
3	Vite M6x16	Screw M6x16	-	-	2010360616.0	2
4	Vite M6x35	Screw M6x35	-	-	2010260635.0	2
5	Vite M8x20	Screw M8x20	-	-	2010270820.0	2
6	Vite M8x16	Screw M8x16	-	-	2010310816.0	5
7	Idrostop	Hydraulic switch	-	-	MFRP010072.4	1
8	Disco freno posteriore	Brake disc, RR	-	-	MFRP010088.4	1
9	Pastiglie freno posteriore (2 pezzi)	Brake pads, RR	-	-	MFRP010087.4	2
10	Pinza freno posteriore	Caliper, RR	-	-	MFRP010012.5	1
11	Supporto pinza freno posteriore	Support caliper, RR	-	-	MFRP010059.3	1
12	Rondella	Washer	-	-	2030000010.0	4
13	Tubo freno posteriore	Tube, rear brake	-	-	MFRP010084.4	1
14	Pompa freno posteriore Ø13	Brake pump Ø13, RR	-	-	MFRP010361.4	1
15	Fascette	Clamps	-	-	MFRP010050.4	2
16	Tubo in gomma	Rubber tube	-	-	MFRP010083.4	1
17	Supporto serbatoio liquido freno posteriore	Support, tank, brake fluid, RR	-	-	MFRP010058.3	1
18	Serbatoio liquido freno posteriore	Tank, brake fluid, RR	-	-	MFRP010011.5	1
19	Supporto pompa freno	Support, brake pump	-	-	MFRP010060.3	1
20	Dado M5	M5 nut	-	-	2020500005.0	1



Mondial Moto s.p.a.

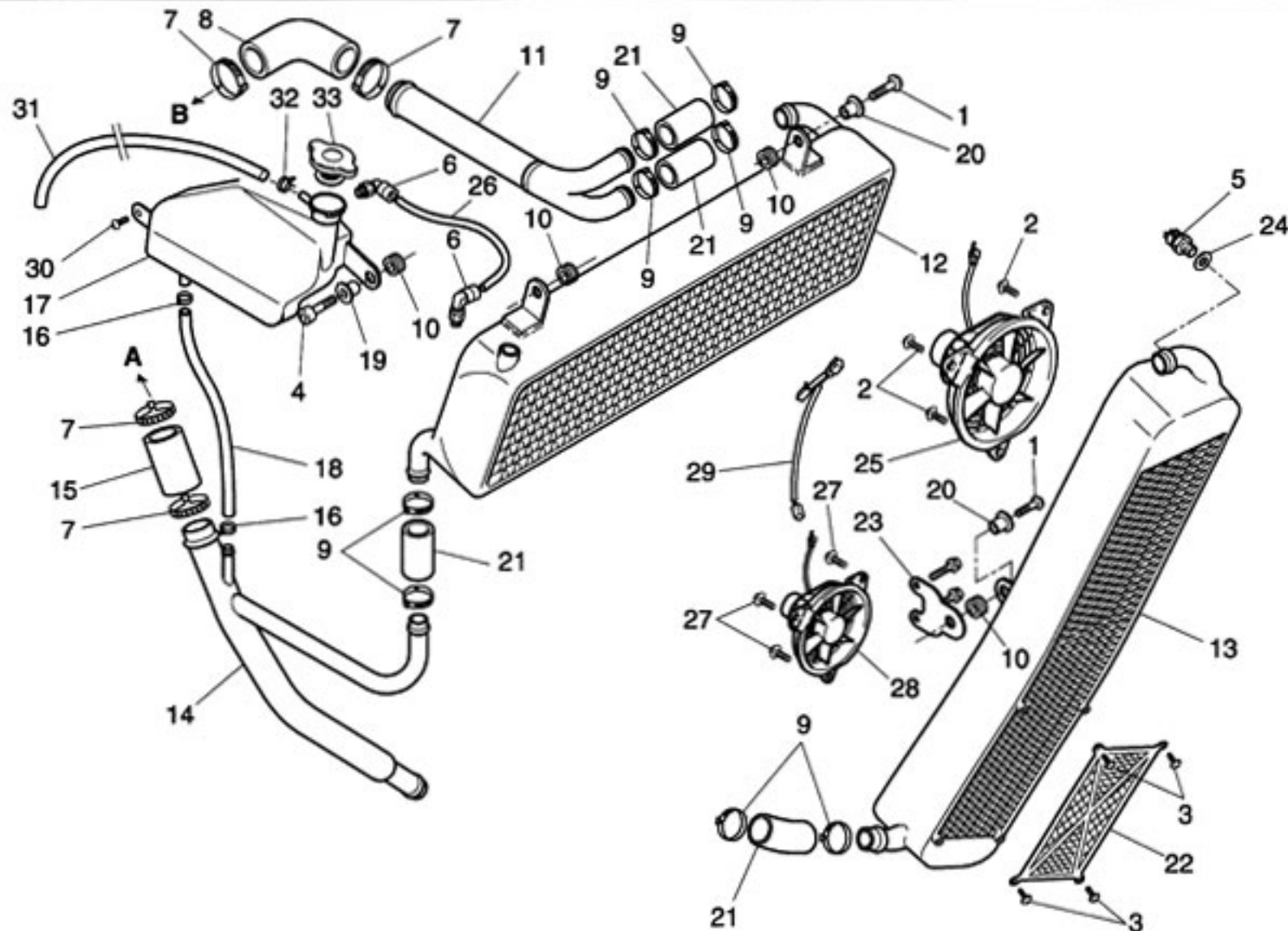
RADIATORI LIQUIDO REFRIGERANTE WATER RADIATOR

Sez.
Sect.**F**Tav.
Tab.**25**

Piega

Cod. # MRBP010007.6

Release: 00/2003-07



Ref.	Descrizione	Description	Year	Version	Cod. #	Q.ty
A	Vedi Tav. E06	See Tab. E06				
B	Vedi Tav. E17	See Tab. E17				
1	Vite M6x16	Screw M6x16	-	-	2010480616.0	2
2	Vite M5x10	Screw M5x10	-	-	2010360510.0	3
3	Vite M5x6	Screw M5x6	-	-	2010360056.0	4
4	Vite M6x25	Screw M6x25	-	-	2010480625.0	1
5	Bulbo	Switch, thermo	-	-	MRDP010023.4	1
6	Innesto rapido	Coupling, quick-release	-	-	MRDP010014.4	2
7	Fascetta stringitubo	Clamp	-	-	2150000035.0	4
8	Tubo in gomma 90°	Tube, 90°, rubber	-	-	MRDP010009.4	1
9	Fascetta stringitubo	Clamp	-	-	2150000031.0	8
10	Silent-block	Silent-block	-	-	2120812189.0	4
11	Tubo in alluminio sinistro	Tube, aluminium, L	-	-	MRDP010013.4	1
12	Radiatore orizzontale	Radiator, horizontal	-	-	MRDP010005.4	1
13	Radiatore verticale	Radiator, vertical	-	-	MRDP010006.4	1
14	Tubo in alluminio destro	Tube, aluminium, R	-	-	MRDP010012.4	1
15	Tubo in gomma	Tube, rubber	-	-	MRDP010140.3	1
16	Fascetta	Clamp	-	-	2150000015.0	2
17	Vaso di espansione	Tank, reserve	-	-	MRDP010016.4	1
18	Tubo in gomma	Tube, rubber	-	-	MRDP010015.4	1
19	Distanziale	Spacer	-	-	MRDP010111.3	1
20	Distanziale	Spacer	-	-	MRDP010110.3	2
21	Tubo in gomma	Tube, rubber	-	-	MRDP010139.3	4
22	Rete di protezione	Grid, protection	-	-	MRDP010136.3	1
23	Staffa supporto radiatore	Bracket, radiator support	-	-	MRDP010043.3	1
24	Rondella	Washer	-	-	2030001418.0	1
25	Elettroventola Ø130	Fan, cooling, Ø130	-	-	MRDP010022.4	1

Segue/Follow ►



Mondial Moto s.p.a.

RADIATORI LIQUIDO REFRIGERANTE WATER RADIATOR

Sez.
Sect.

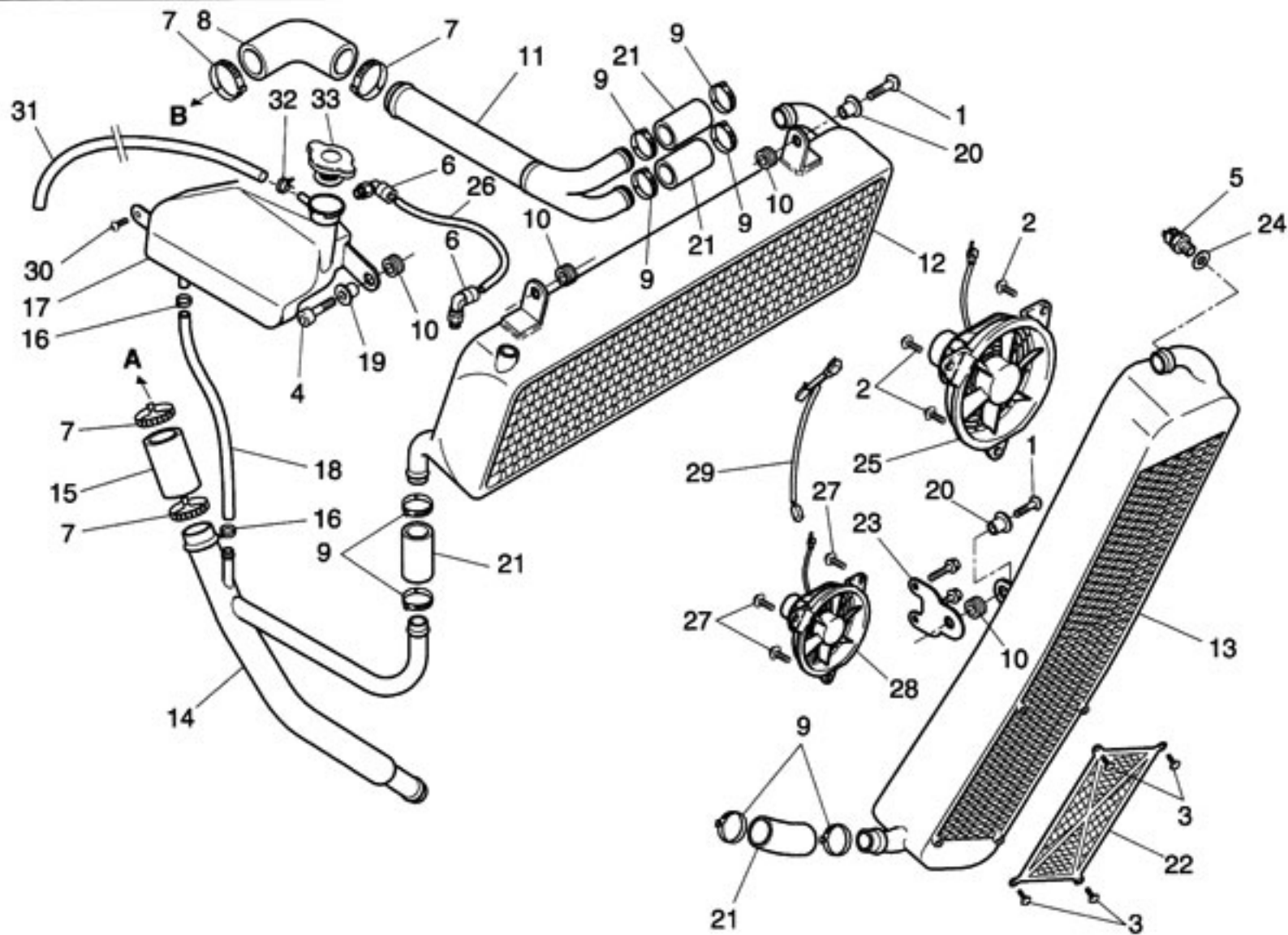
Tav.
Tab.

F 25a

Piega

Cod. # MRBP010007.6

Release: 00/2003-07



Ref.	Descrizione	Description	Year	Version	Cod. #	Q.ty
26	Tubo livello	Tube, level	-	-	MRDP010296.4	1
27	Vite M5x10	Screw M5x10	-	J OPT	2010360510.0	3
28	Elettroventola Ø110	Fan, cooling, Ø110	-	J OPT	MRDP010271.4	1
29	Prolunga elettroventola	Fan, cooling, extension	-	J OPT	MRDP010270.4	1
30	Vite M6x12	Screw M6x12	-	-	2010360612.0	1
31	Tubo	Tube	-	-	MRDP010017.4	1
32	Fascetta	Clamp	-	-	MFRP010050.4	1
33	Tappo vaso espansione	Cap, reserve tank	-	-	MRDP010007.4	1



Mondial Moto s.p.a.

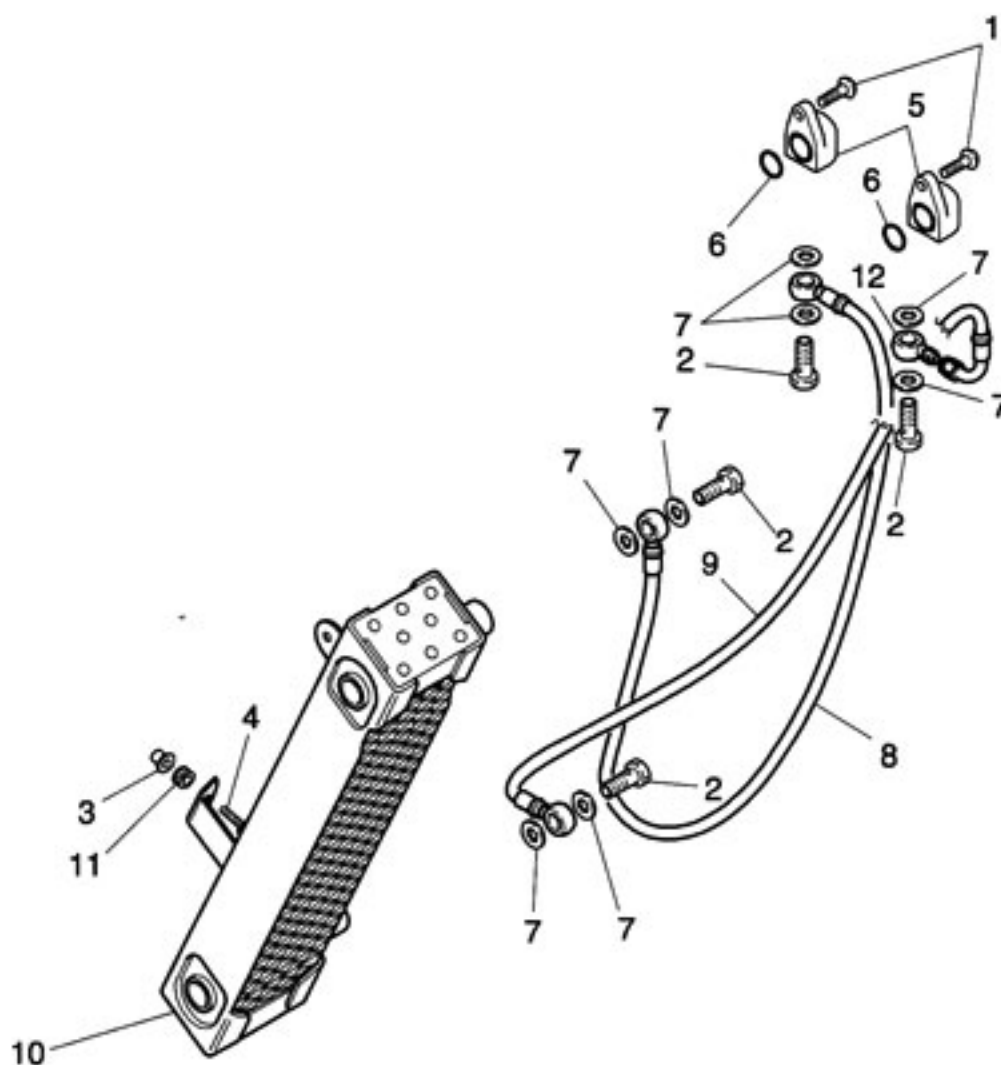
RADIATORE OLIO MOTORE OIL RADIATOR

Sez.
Sect.**F**Tav.
Tab.**26**

Piega

Cod. # MRBP010007.6

Release: 00/2003-07



Ref.	Descrizione	Description	Year	Version	Cod. #	Q.ty
1	Vite M8x20	Screw M8x20	-	-	2010310820.0	2
2	Vite forata	Screw	-	-	MRDP010025.4	4
3	Distanziale	Spacer	-	-	MRDP010110.3	1
4	Vite M6x35	Screw M6x35	-	-	2010260635.0	1
5	Raccordo olio motore	Fitting, engine oil	-	-	MRDP010042.3	2
6	O-ring	O-ring	-	-	2081078262.0	2
7	Rondella	Washer	-	-	MRDP010259.4	8
8	Tubo olio superiore	Tube, upper, oil	-	-	MRDP010020.4	1
9	Tubo olio inferiore	Tube, lower, oil	-	-	MRDP010021.4	1
10	Radiatore olio motore	Radiator, oil	-	-	MRDP010019.4	1
11	Silent block	Silent-block	-	-	2120812189.0	1
12	Occhiello	Union	-	-	MRDP010290.4	1



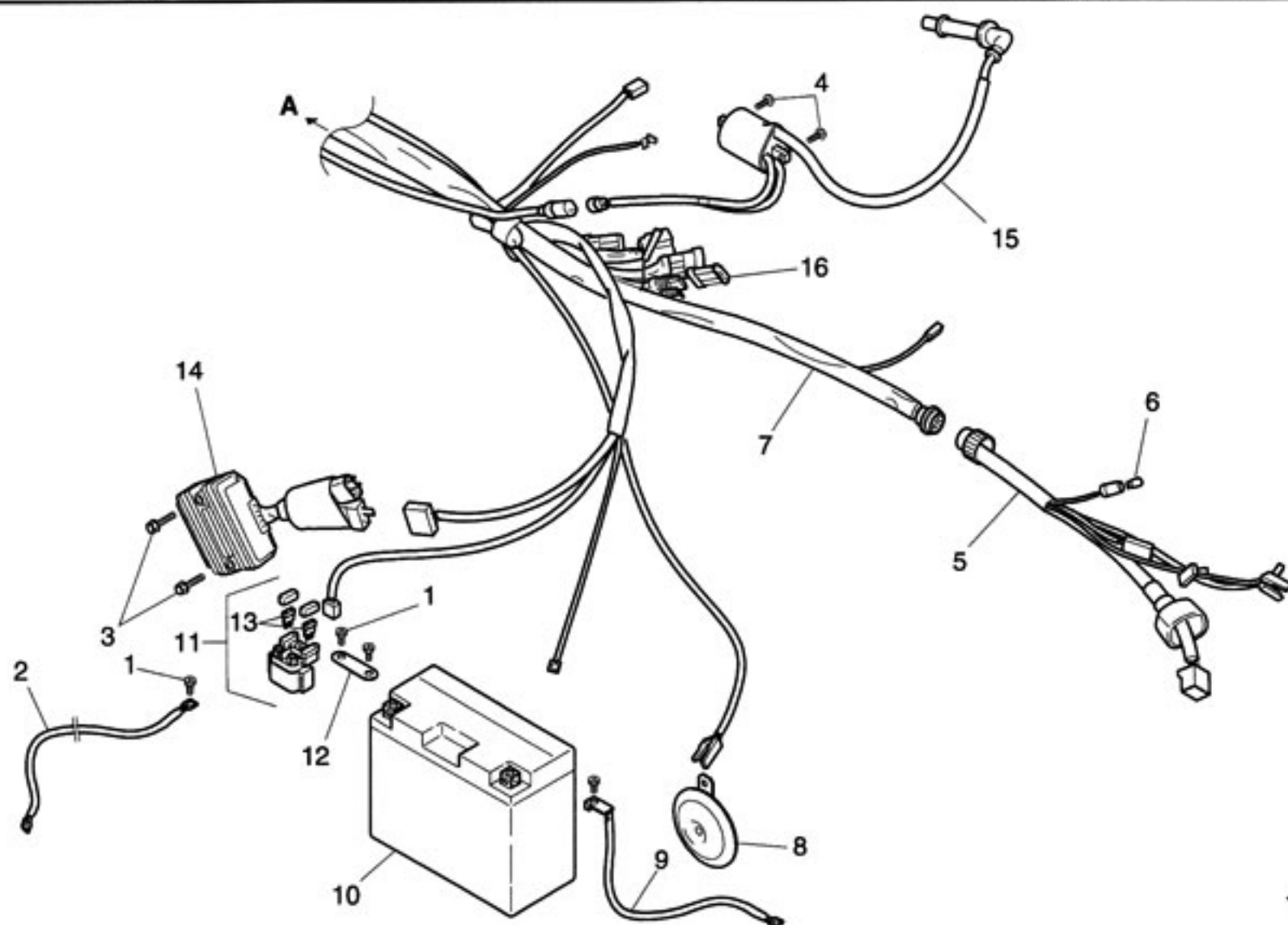
Mondial Moto s.p.a.

IMPIANTO ELETTRICO (prima parte)
WIRE HARNESS (part one)
Sez.
Sect.**F**Tav.
Tab.**27**

Piega

Cod. # MRBP010007.6

Release: 00/2003-07



Ref.	Descrizione	Description	Year	Version	Cod. #	Q.ty
A	Vedi Tav. F28	See Tab. F28				
1	Vite M6x6	Screw M6x6	-	-	2010310066.0	2
2	Cavo motorino avviamento	Starter cable	-	-	MIEP010156.4	1
3	Vite M6x35	Screw M6x35	-	-	2010260635.0	2
4	Vite M6x20	Screw M6x20	-	-	2010310620.0	2
5	Cablaggio cupolino	Wiring, front fairing	-	-	MIEP010264.4	1
6	Lampadina luce di posizione	Bulb, parking light	-	-	MIEP010362.4	1
7	Cablaggio principale	Wiring, main	-	-	MIEP010170.4	1
8	Avvisatore acustico	Horn	-	-	MIEP010218.4	1
9	Cavo massa batteria	Cable, battery earth	-	-	MIEP010155.4	1
10	Batteria	Battery	-	-	MIEP010169.4	1
11	Elettroscatto	Electric-trip	-	-	MIEP010171.4	1
12	Piastrina	Plate	-	-	MIEP010117.3	1
13	Fusibile 30A	Fuse 30 A	-	-	MIEP010154.4	2
14	Regolatore di tensione	Regulator	-	-	31600-MFC-003	1
15	Bobina anteriore	Coil, front	-	-	MIEP010031.5	1
16	Connettore doppio diodo	Connector, double diode	-	-	MIEP010252.4	1



Mondial Moto s.p.a.

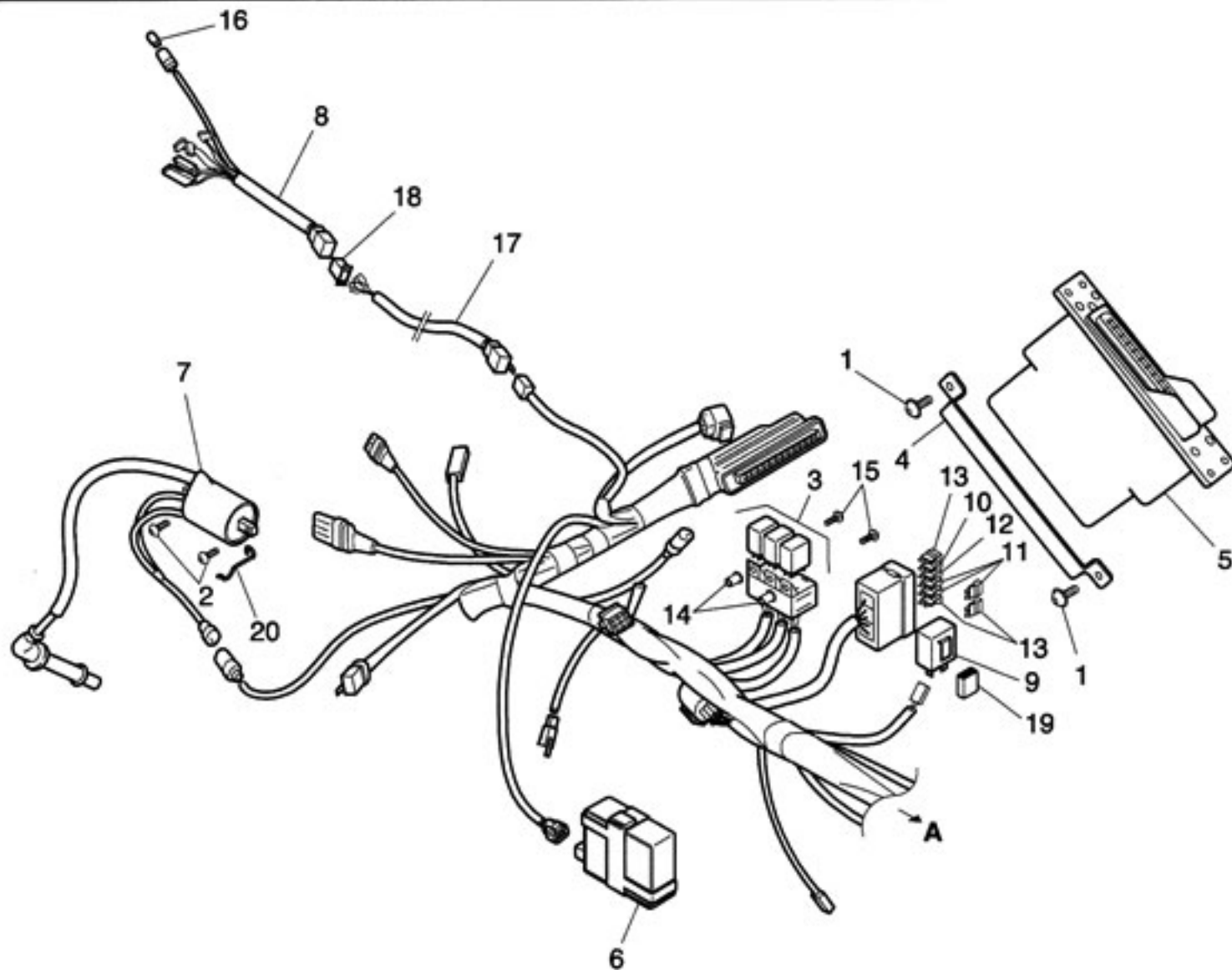
IMPIANTO ELETTRICO (seconda parte) WIRE HARNESS (part two)

Sez.
Sect.**F**Tav.
Tab.**28**

Piega

Cod. # MRBP010007.6

Release: 00/2003-07



Ref.	Descrizione	Description	Year	Version	Cod. #	Q.ty
A	Vedi Tav. F27	See Tab. F27				
1	Vite M5x10	Screw M5x10	-	-	2010360510.0	2
2	Vite M6x20	Screw M6x20	-	-	2010310620.0	2
3	Relè	Relay	-	-	MIEP010363.4	3
4	Supporto centralina elettronica	Support, electronic unit	-	-	MIAP010132.3	1
5	Centralina elettronica	Electronic unit	-	-	MIEP010153.4	1
6	Convertitore bobine	Converter, coil	-	-	30450-MCF-003	1
7	Bobina posteriore	Coil, rear	-	-	MIEP010032.5	1
8	Cablaggio fanale posteriore	Wiring, rear light	-	-	MIEP010263.4	1
9	Intermittenza	Blinking	-	-	MIEP010220.4	1
10	Fusibile 3A	Fuse 3 A	-	-	MIEP010234.4	1
11	Fusibile 10A	Fuse 10 A	-	-	MIEP010235.4	3
12	Fusibile 15A	Fuse 15 A	-	-	MIEP010250.4	1
13	Fusibile 25A	Fuse 25 A	-	-	MIEP010251.4	3
14	Gommino filettato M4	Rubber element M4, threaded	-	-	MSVP010176.4	2
15	Vite M4x12	Screw M4x12	-	-	2010340412.0	2
16	Lampadina luce targa	Bulb, number plate	-	-	MIEP010362.4	1
17	Cablaggio sottosella	Wiring, underseat	-	-	MIEP010262.4	1
18	Connettore	Connector	-	-	MIEP010222.4	1
19	Gommino intermittenza	Blinking, rubber element	-	-	MIEP010221.4	1
20	Staffa	Bracket	-	-	MIAP010099.3	1



Mondial Moto s.p.a.

DECALCO TRANSFERS

Sez.
Sect.

F

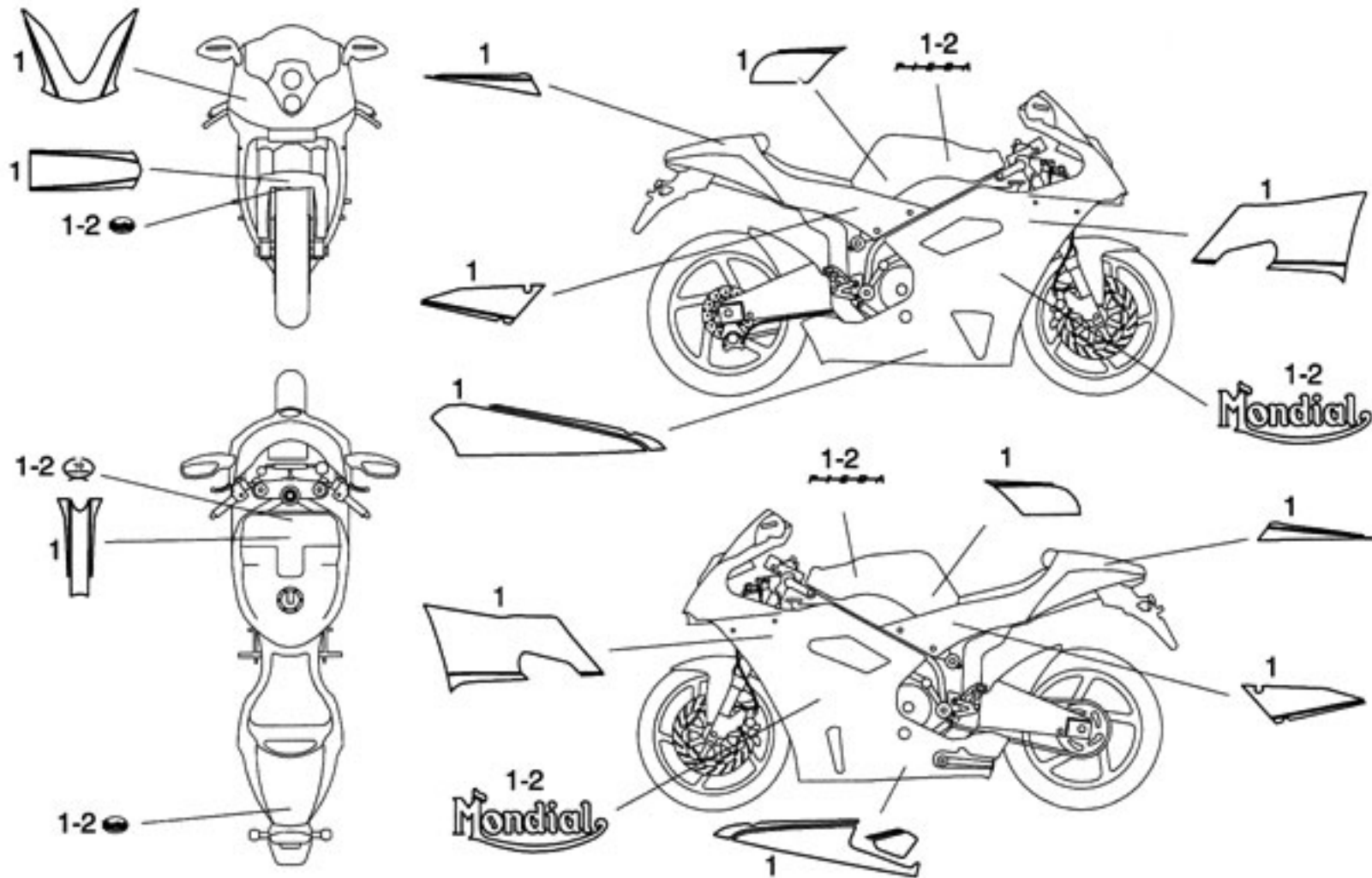
Tav.
Tab.

29

Piega

Cod. # MRBP010007.6

Release: 00/2003-07



Ref.	Descrizione	Description	Year	Version	Cod. #	Q.ty
1	Kit decalco	Transfers Kit	-	Gr	MSVP010370.4	1
2	Kit decalco	Transfers Kit	-	Carbon	MSVP010371.4	1