

TXT RACING

2 0 1 5

DESPIECE / PARLIST 125 - 250 - 280 - 300

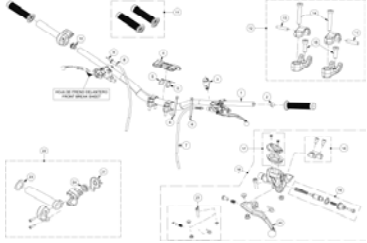
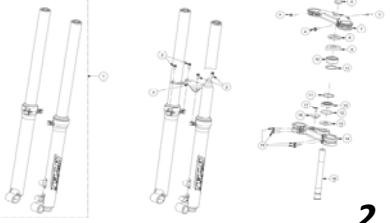
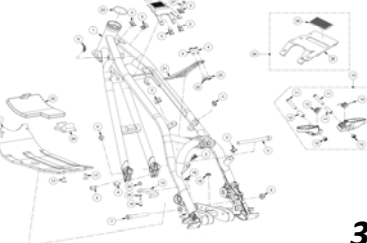
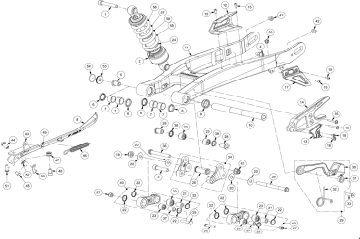
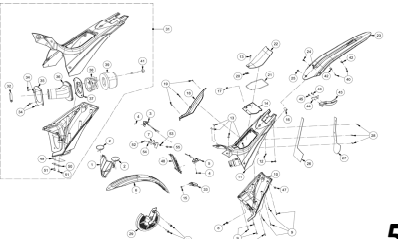
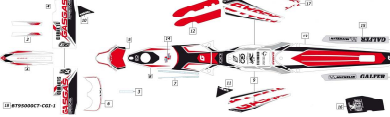
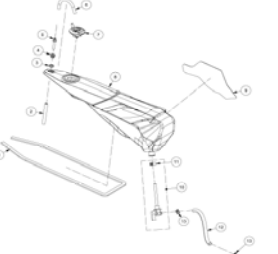
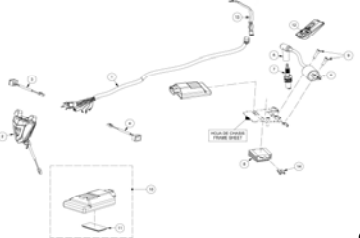
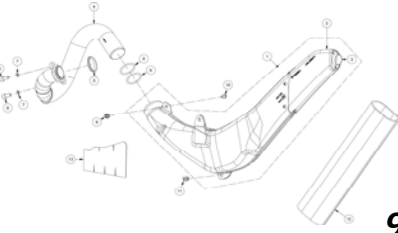
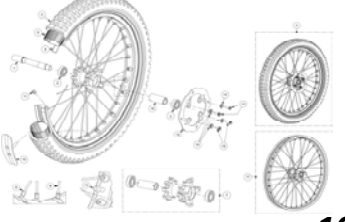
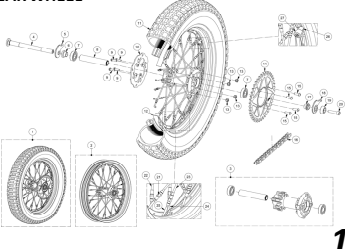
JULIO / JULY 2014



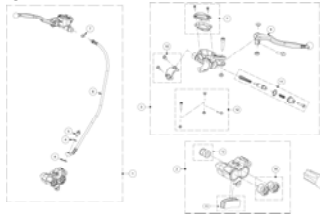
TRIAL
2015





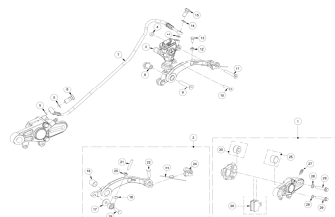
<p>CHASIS / FRAME</p>	<p>MANILLAR HANDLEBAR</p>  <p>1</p>	<p>SUSPENSION SUSPENSION</p>  <p>2</p>	<p>CHASIS FRAME</p>  <p>3</p>
<p>BASCULANTE SWINGARM</p>  <p>4</p>	<p>PLASTICOS PLASTICS</p>  <p>5</p>	<p>ADHESIVOS DECALS</p>  <p>6</p>	<p>DEPOSITO FUEL TANK</p>  <p>7</p>
<p>ELECTRICO ELECTRIC INSTALLATION</p>  <p>8</p>	<p>TUBO DE ESCAPE EXHAUST</p>  <p>9</p>	<p>RUEDA DELANTERA FRONT WHEEL</p>  <p>10</p>	<p>RUEDA TRASERA REAR WHEEL</p>  <p>11</p>

**FRENO DELANTERO
FRONT BRAKE**



12

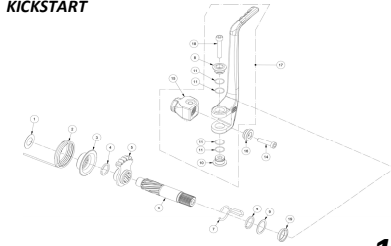
**FRENO TRASERO
REAR BRAKE**



13

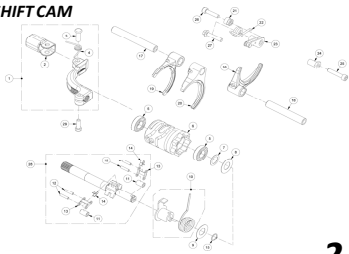
MOTOR / ENGINE

**PEDAL DE ARRANQUE
KICKSTART**



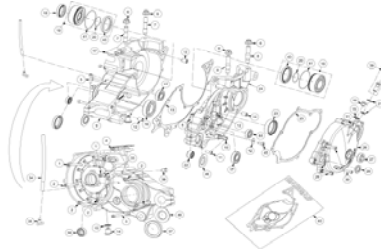
1

**SELECTOR DE CAMBIO
SHIFT CAM**



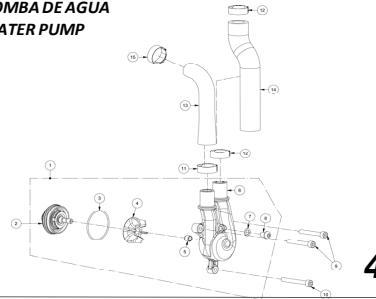
2

**CARTER
CRANKCASE**



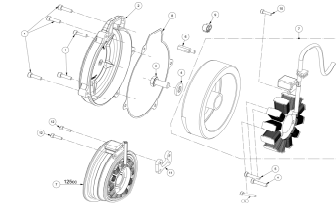
3

**BOMBA DE AGUA
WATER PUMP**



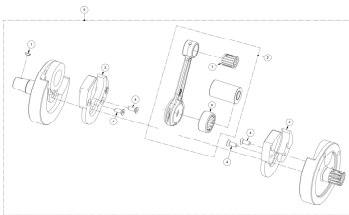
4

**ENCENDIDO
IGNITION**



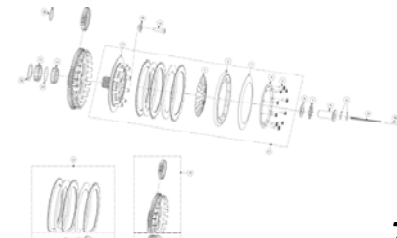
5

**CIGUEÑAL
CRANKSHAFT**



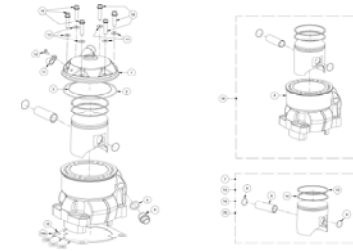
6

**EMBRAGUE
CLUTCH**



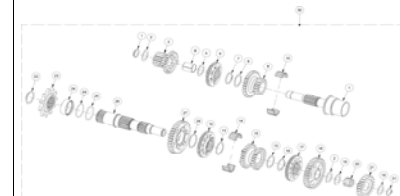
7

**CILINDRO
CYLINDER**

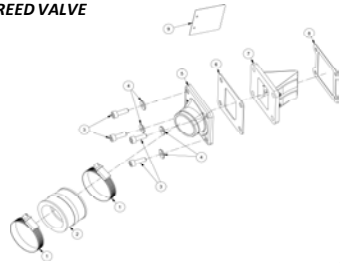
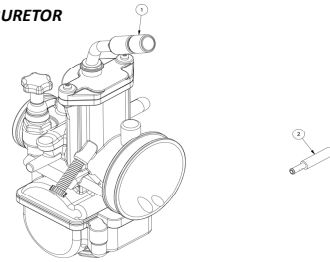
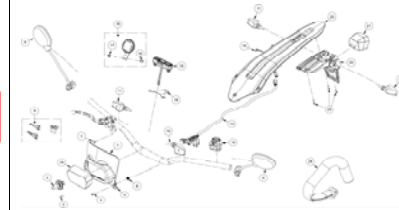
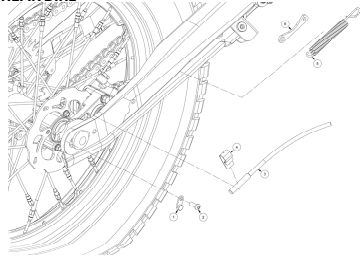


8

**ENGRANAJES CAMBIO
GEAR SET**



9

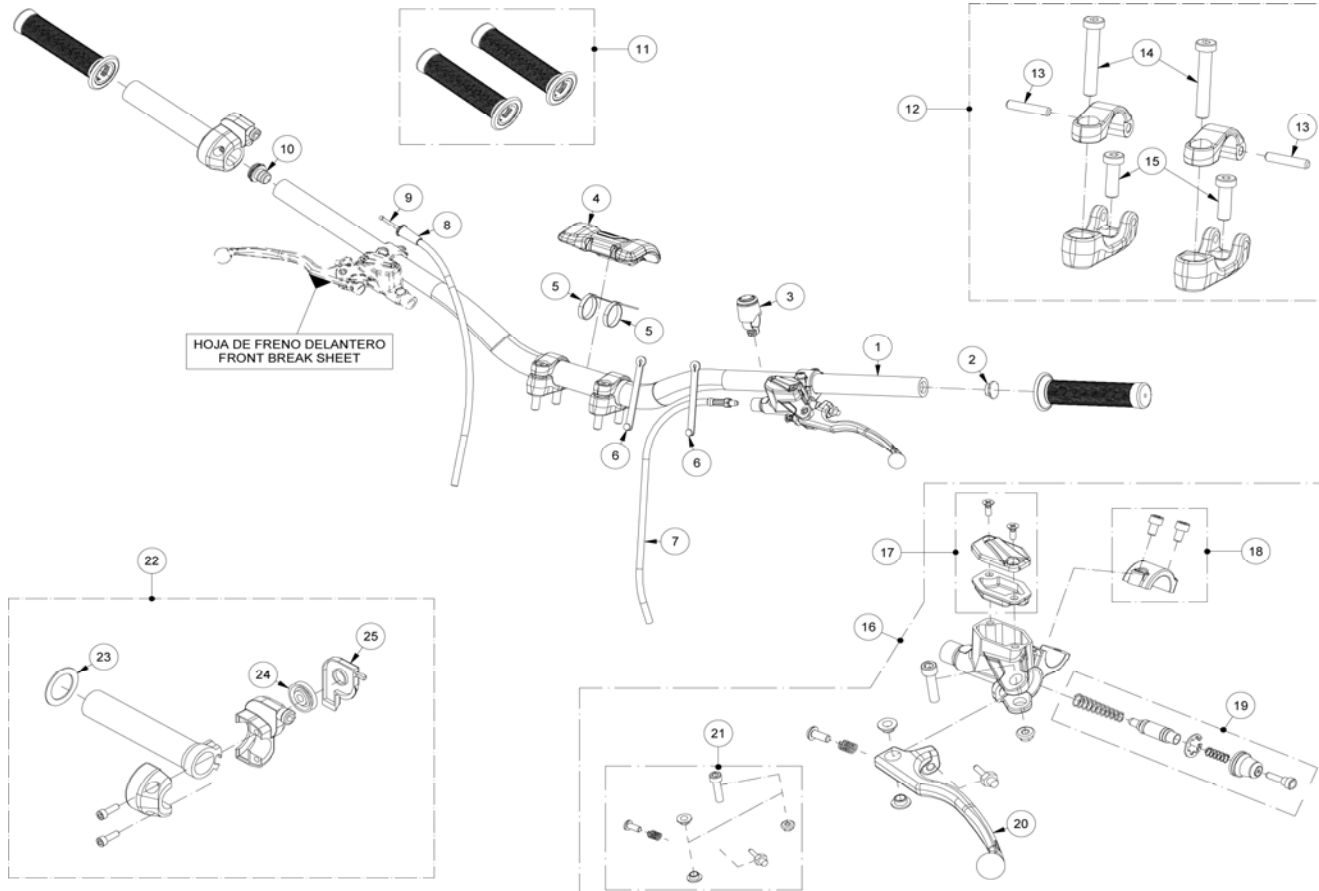
INDICE/ INDEX**TXT RACING2015**CAJA DE LAMINAS
REED VALVE**10**CARBURADOR
CARBURETOR**11****KIT HOMOLOGACION
HOMOLOGATION KIT**CHASIS
FRAME**3**TREN TRASERO
REAR BIKE**4**

Revisión 10 21/11/2014

La empresa tiene derecho, sin previo aviso, de cambiar el contenido técnico de los productos. The Company reserves the right to modify technical specifications without prior notice.



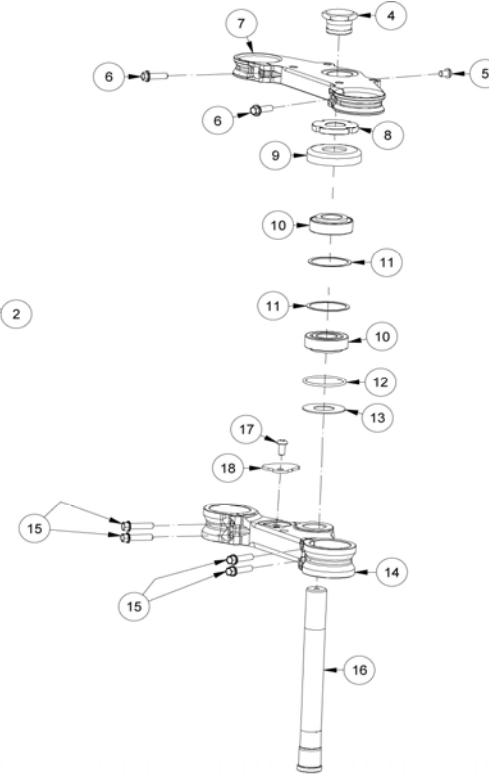
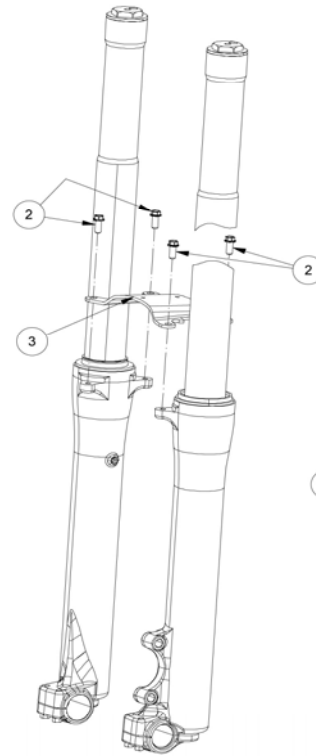
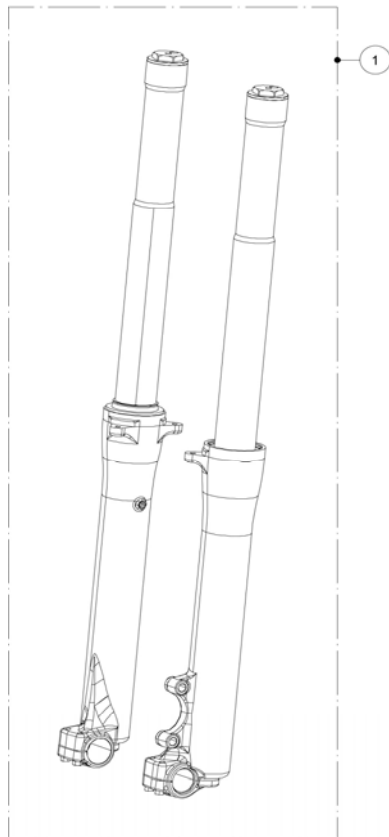
GASGAS#RACINGPARTS
WWW.GASGASMOTOS.ES



Nº	DESCRIPCION	DESCRIPTION				125 / 250 / 280 / 300	Cant.
1	MANILLAR	HANDLEBAR				BT25000GG-CGR-1	1
2	TAPON MANILLAR MOSS (12089)	HANDLEBAR CAP(12089)				BT255953012	1
3	DISPOSITIVO BOTON DE PARO	STOP BUTTON				ET85500GG-CGI-1	1
4	PROTECTOR MANILLAR	HANDLEBAR PROTECTOR				BT25020GG-CBN-1	1
5	BRIDA UNEX 3,6x200 FIJA PROTECTOR MANILLAR	UNEX 3.6X200 CLAMP				BE25634012	2
6	GOMA SUJECIÓN CABLEADOS	WIRE SUBJET RUBBER				BFS450320067	2
7	LATIGUILLO EMBRAGUE TRIAL	CLUTCH HOSE				BT280522003	1
8	GUARDAPOLVO PUÑO GAS	THROTTLE CABLE DUST COVER				G600000	1
9	CABLE DE GAS	THROTTLE CABLE				E160003	1
10	RODAMIENTO + CASQUILLO MANDO DE GAS	BEARING + HANDLEBAR THROTTLE				BT26010R3010	1
11	JUEGO EMPUÑADURAS TRIAL	HANDLEBAR GRIP (PAIR)				BT26100GG-CBN-1	1
12	KIT BRIDAS MANILLAR	HANDLEBAR RAISERS KIT				BT280414012C	1
13	PASADOR CILÍNDRICO	DOWEL PIN				BT280414010	2
14	TORNILLO UFK 8X50	8X50 UFK SCREW				T0318050	2
15	TORNILLO UFK 8X25	8X25 UFK SCREW				T0318025	2
16	CTO. BOMBA ENBRAGUE RACING	CLUTCH PUMP				BT46000GG-CAS-1	1
17	KIT TAPA BOMBA	COVER PUMP SET				BT46200CT-CAS-1	1
18	BRIDA BOMBA EMBRAGUE	MASTER CYLINDER CLAMP				BT61350GG-CAS-1	1
19	KIT REPARACION BOMBA EMBRAGUE	CLUTCH PUMP REPAIR SET				BT460103013CT	1
20	MANETA EMBRAGUE RACING	CLUTCH LEVER R				BT46300R3009	1
21	KIT AJUSTE	ADJUST KIT				BT614003013	1
22	PUÑO MANDO GAS	TWIST GRIP				E100001	1
23	ARANDELA MANDO GAS	TWIST GRIP WASHER				BT27922078	1
24	RODILLO MANDO GAS	TWIST GRIP ROLLER				E119000	1
25	TAPA MANDO GAS	TWIST GRIP COVER				E140000	1

GASGAS

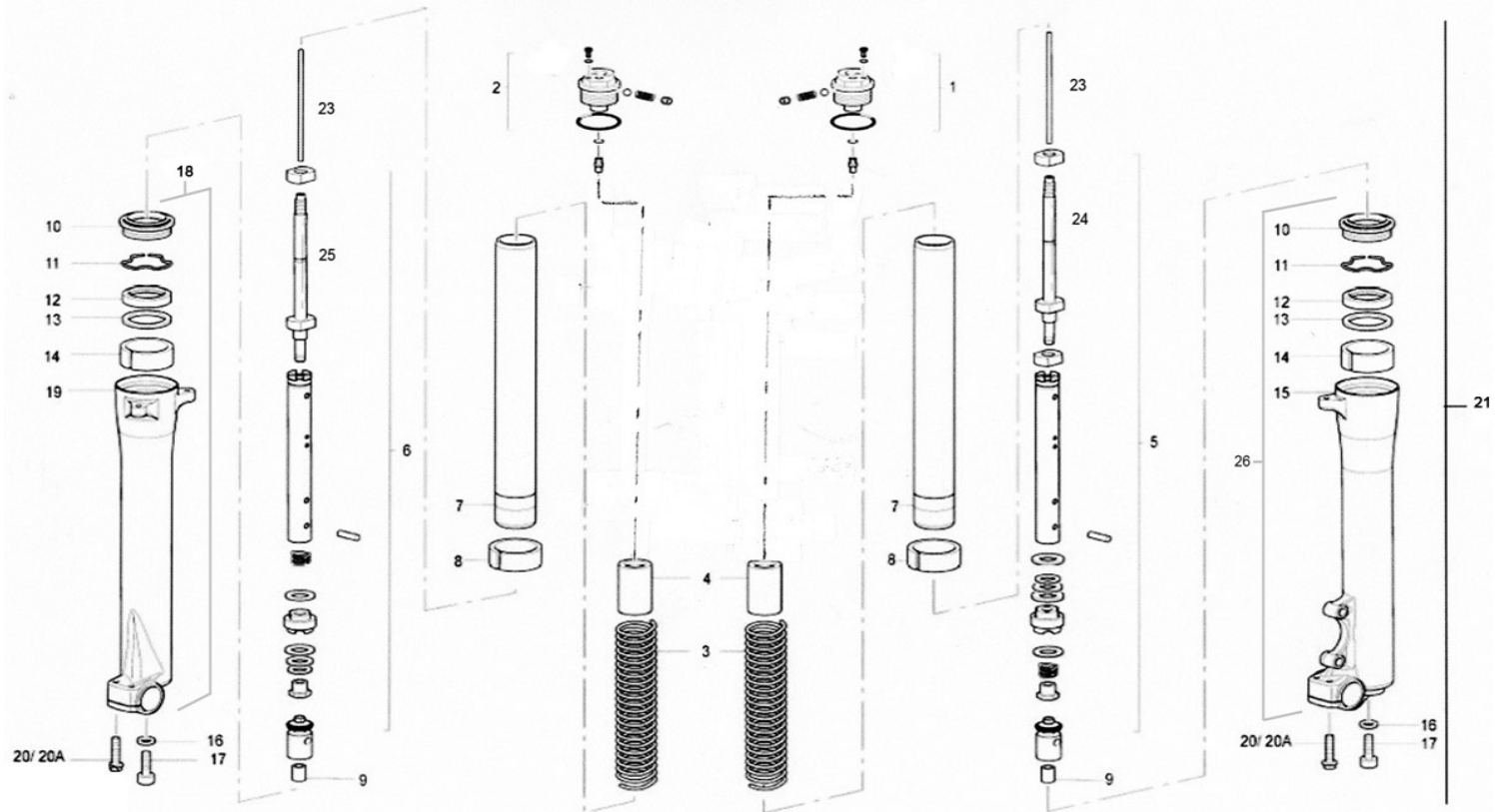
Chasis 1



Nº	DESCRIPCION	DESCRIPTION				125 / 250 / 280 / 300	Cant.
1	CTO.SUSPENSION DELANTERA	FORK SUSPENSION SET				BT20000063012	1
2	M6X14 TORNILLO HEXAGONAL	M6x14 HEXAGONAL SCREW				T0206014	4
3	PUENTE SUSPENSION	FRONT SUSPENSION UNION				BT21500R3009	1
4	TUERCA CIEGA SUPERIOR DIRECCIÓN	NUT TOP STEERING AXLE				BT280410030	1
5	TORNILLO ULS M6X8 BRIDA SUPERIOR	M6x8 ULS SCREW				T0506008	1
6	TORNILLO EXAGONALES CON ARANDELA M6X20	M6X20 HEXAGONAL WITH WASHER SCREW				T0206020	2
7	BRIDA SUSPERIOR SUSPENSION	UPPER FORK CLAMP				BT22000GG-CBF-1	1
8	TUERCA INFERIOR DE DIRECCIÓN	NUT UNDER FORK CLAMP				BT280410029	1
9	GUARDAPOLVO COJINETES DIRECCIÓN SUP.	BEARING STEERING DUST COVER				BEP250210026	1
10	COJINETE DIRECCIÓN	BEARING STEERING DUST COVER				BT280210008	2
11	ARANDELA 22,4x36x0,7	22,4x36x0,7 WASHER				T4022036	2
12	TÓRICA DIRECCIÓN 37X2,5	37X2,5 O'RING STEERING				BEP250210012	1
13	ARANDELA TORICA INFERIOR COLUMNA DIRECCION	WASHER STEERING				BT280210026	1
14	BRIDA INFERIOR SUSPENSION	LOWER FORK CLAMP				BT21000GG-CBF-2	1
15	TORNILLO HEXAGONAL CON ARANDELA M6X25	M6X25 HEXAGONAL WITH WASHER SCREW				T0206025	4
16	EJE DIRECCIÓN	AXLE STEERING				BT280214003	1
17	TORNILLO ULS M6x12	M6x12 ULS SCREW				T0506012	1
18	TAPA AGUJERO CLAUSOR	HOLE CLAUSOR COVER				BT280210077/1	1

GASGAS

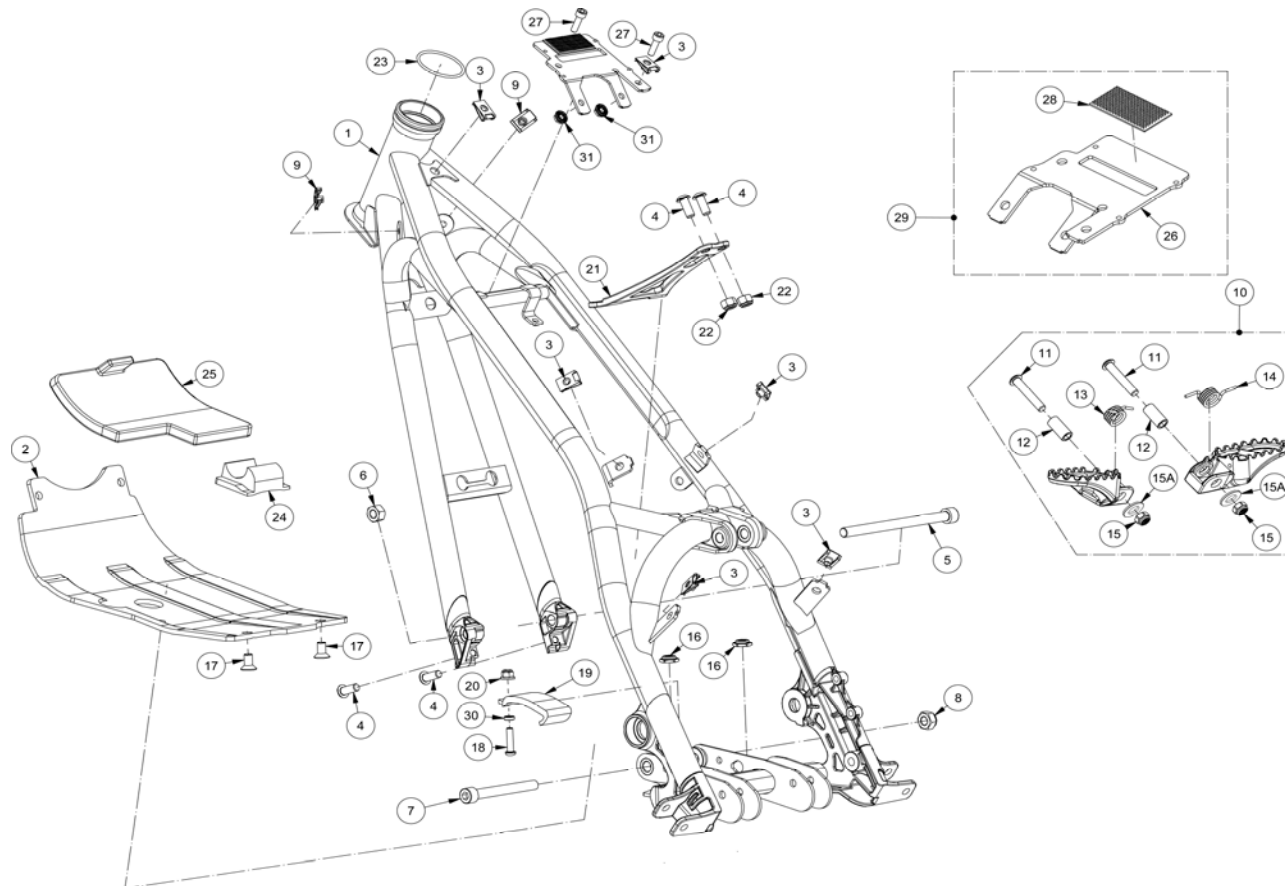
Chasis 2



Nº	DESCRIPCION	DESCRIPTION				125 / 250 / 280 / 300	Cant.
1	CTO. TAPÓN REGULACIÓN COMPRESIÓN	ADJUSTING COMPRESSION CAP				BT280714105	1
2	CTO. TAPÓN REGULACIÓN EXTENSIÓN	ADJUSTING RETURN CAP				BT280714106	1
3	MUELLE SUSPENSIÓN	FRONT FORK SPRING				5141418/P	2
4	TOPE PRECARGA AMORTIGUADOR	PRE-LOAD WASHER				5182328/P	2
5	REGULADOR HIDRÁULICO COMPR.	ADJUSTER TOP COMPRESSION				8032145/R	1
6	CONJUNTO HIDRÁULICO EXTENSIÓN	HYDRAULIC EXTENSION ASSEMBLY				8032144/R	1
7	BARRA SUSPENSIÓN	FRONT FORK INNER TUBE				BT280614110	2
8	GLACIER SUSPENSIÓN	GLACIER BUSHING				BT280414111	2
9	CENTRAJE TUBO HIDRÁULICO	SPACER BUSH				BT280414219	2
10	GUARDAPOLVO	DUST SEAL				BT20000143011	2
11	SEEGER SUSPENSIÓN TRIAL	TRIAL FRONT FORK SEEGER				BT200252809	2
12	RETÉN	SEAL				BT20000153011	2
13	ARANDELA SUPERIOR TRIAL	UPPER TRIAL WASHER				BT280414133	2
14	GLACIER BOTELLA SUSPENSIÓN	TUBE GLACIER BUSH				BT280414134	2
15	BOTELLA IZQUIERDA SUSPENSIÓN TRIAL	LEFT OUTER TUBE				BT20000083011	1
16	ARANDELA GOMA INTERIOR	FRONT FORK WASHER SEAL				BT280414145	2
17	TORNILLO ALLEN	ALLEN SCREW				BT280414249	2
18	BOTELLA SUSPENSION Ø40 CON RETENES	BOTTLE FORK WITH SEALS				5031677	1
19	BOTELLA DERECHA SUSPENSIÓN TRIAL	RIGHT OUTER TUBE				BT20000073011	1
20	TORNILLO EXAGONAL CON BALONA M6X25	EXAGONAL SCREW M6X25				T0206025	4
21	SUSPENSIÓN TRIAL MARZOCCHI	TRIAL SUSPENSION SET MARZOCCHI				BT20000063012	1
22	CTO. SANGRADOR AIRE	CTO. SANGRADOR AIRE				BT280714103	1
23	VARILLA REGULACIÓN	REGULATION AXLE				BT280614150	1
24	ASTA	CORE				309787DU/R	1
25	ASTA	CORE				309759DU/R	1
26	BOTELLA SUSPENSION Ø40 CON RETENES	BOTTLE FORK WITH SEALS				5031678	1

GASGAS

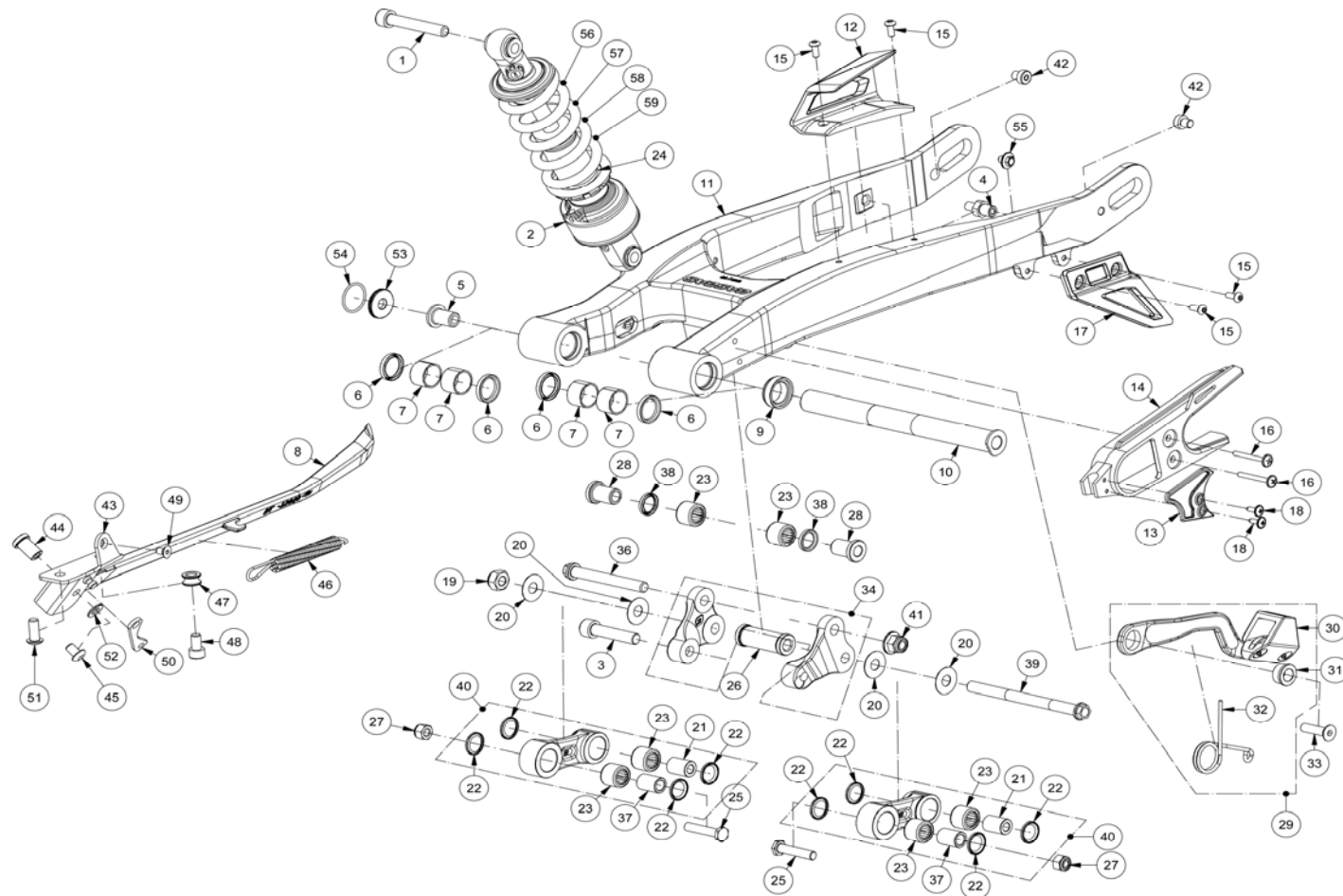
Chasis 2



Nº	DESCRIPCION	DESCRIPTION				125 / 250 / 280 / 300	Cant.
1	CHASIS TRIAL	TRIAL FRAME				BT1000GG-CGI-1	1
2	PLACA PROTECCIÓN MOTOR	TRIAL ENGINE PROTECTOR PLATE				BT10000013012	1
3	TUERCA NUT 956 RAPIDA M6	M6 CHIMNEY NUT				T2606000	6
4	ULS 8X20	8X20 ULS				T0508020	4
5	ALLEN M10X140 ZINCADO 12.9	M10X140 ALLEN SCREW				T0310140	1
6	TUERCA ESPECIAL M10	SPECIAL M10 NUT				BT280210069	1
7	ALLEN 10x85	10X85 ALLEN SCREW				T0301085	1
8	TUERCA AUTOBLOCANTE M10 BAJA	SPECIAL M10 NUT				T2110001	1
9	GRAPA FIJA TAPA LATERAL	SPECIAL NUT TO FIX SIDE COVER				BX250020029	2
10	CTO. ESTRIBOS TXT RACING	FOOTPEGS KIT				BT14005CT-CGA-1	1
11	TORNILLO ULS M8x45	M8x45 ULS SCREW				T0508045	2
12	DISTANCIADOR	SPACER				BT27910006	2
13	MUELLES ESTRIBERA IZQUIERDA	LEFT FOOTPEG SPRING				M100004	1
14	MUELLE ESTRIBERA DERECHA	RIGHT FOOTPEG SPRING				M100003	1
15	TUERCA AUTOBLOCANTE M8 DIN985	M8 SELF-LOCKING NUT DIN985				T2108001	2
15A	ARANDELA 8x16x1,5	8x16x1,5 WASHER				T4008016	2
16	CASQUILLO PROTECTOR CÁRTER	CRANKCASE BUSH PROTECTOR				BT280310883	2
17	TORNILLO ALLEN CONICO M8X16	ALLEN TAPERED SCREW M8X16				T0408016	2
18	TORNILLO ULS 6X25	ULS 6X25 SCREW				T0506025	1
19	PROTECTOR CADENA A CHASIS	CHAIN PROTECTOR				BT280212026	1
20	TUERCA AUTOBLOCANTE DIN-6926 M6 CON ARANDELA ZN	M6 SELF-LOCKING NUT WITH WASHER				T2206002	1
21	TIRANTE CILINDRO	BRACE CYLINDER				BT280110050	1
22	TUERCA AUTOBLOCANTE M-8 ALTA	SELF-LOCKING NUT M8 HIGH				T2108002	2
23	JUNTA TORICA PIPA	O-RING STEERING COLUMN				BT100503013	1
24	GOMA PROTECTOR TRASERO MOTOR	REAR ENGINE PROT. RUBBER				BT280336029	1
25	GOMA PROTECTOR DELANTERO MOTOR	FRONT ENGINE PROT. RUBBER				BT280236030	1
26	SOPORTE CDI	CDI SUPPORT				BT10001GG-CBN-1	1
27	TORNILLO ALLEN M6X20	M6X20 ALLEN SCREW				T0306020	2
28	CINTA DE CIERRE ADHESIVA	LOCKING ADHESIVE TAPE				BT51120GG-CBN-1	1
29	CONJUNTO SOPORTE CDI	CDI SUPPORT SET				BT10001CT-CBN-1	1
30	CASQUILLO FIJA PROTECTOR CHASIS-CADENA	BUSH FRAME-CHAIN GUARD				BC250014050	1
31	TUERCA M6 CON BALONA ESTRIADA	M6 NUT				T2206000	2

GASGAS

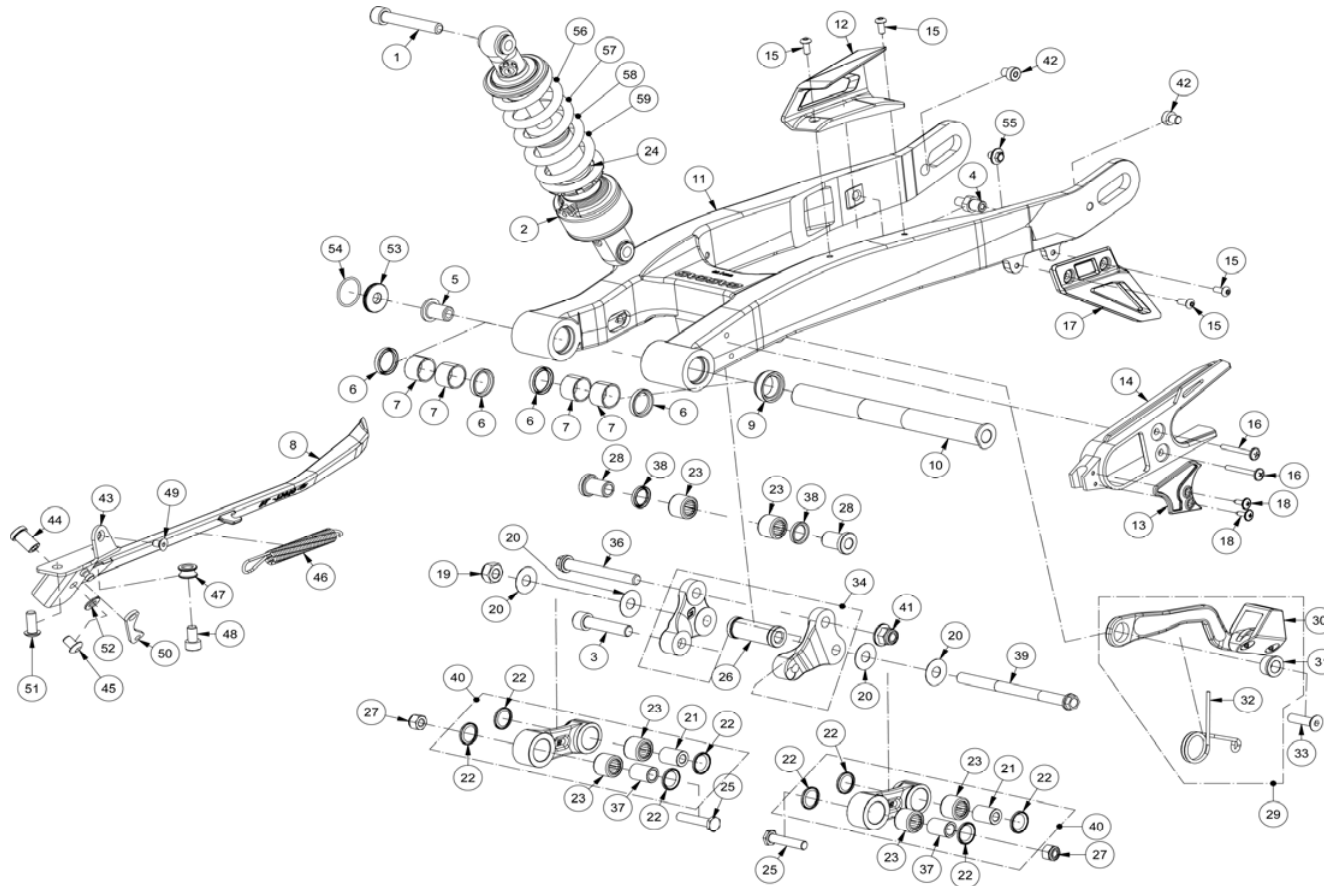
Chasis 3



Nº	DESCRIPCION	DESCRIPTION		125	250 / 280 / 300	Cant.
1	ALLEN 10X63	10X63 ALLEN SCREW		BT35000013011	BT35000013011	1
2	AMORTIGUADOR TRIAL	REAR SHOCK ABSORBER		BT30000GG-CGD-1	BT30000GG-CBF-1	1
3	TORNILLO ESPECIAL	SPECIAL SCREW		T0310046	T0310046	1
4	GUIA PINZA DE FRENO	REAR CALIPER GUIDE		BT671153013	BT671153013	1
5	TORNILLO EJE BASCULANTE TRIAL	SWING-ARM AXLE SCREW		BT280212009	BT280212009	1
6	RETÉN 20-26-4 870 N BASCULANTE	20-26-4 OIL SEAL		C220001	C220001	4
7	COJINETE	BEARING		BT280212032	BT280212032	4
8	CABALLETE TRIAL 99	SIDE STAND BRACKET		BT280712010	BT280712010	1
9	CASQUILLO GUÍA EJE BASCULANTE	SWING-ARM AXLE BUSHING		BT280212108	BT280212108	1
10	EJE BASCULANTE TRIAL	SWING-ARM AXLE		BT44500R3009	BT44500R3009	1
11	BASCULANTE TRIAL	TRIAL SWING-ARM		BT40000GG-CBN-1	BT40000GG-CBN-1	1
12	CUBRECADENAS	CHAIN COVER		BT42040RA3011	BT42040RA3011	1
13	PROTECTOR PIÑÓN TRIAL 2002	PINION PROTECTOR		BT280236021	BT280236021	1
14	PATÍN CADENA	CHAIN GUIDE		BT280412015	BT280412015	1
15	ULS 5X12	5X12 ULS		T0505012	T0505012	4
16	REMACHE CABOTA GRANDE 14X4 8X21 PATÍN	RIVET		T4505016	T4505016	2
17	PROTECTOR CORONA TRIAL 2003	SPROCKET PROTECTOR		BT57350RA3011	BT57350RA3011	1
18	TORNILLO ROSCA-CHAPA 4.2X12	4,2X12 SCREW		T259349	T259349	2
19	TUERCA AUTOBLOCANTE	SELF-LOCKING NUT		T2110001	T2110001	1
20	ARANDELA REGLAJE 10.5X26X0.5	10.5X26X0.5 WASHER		T4001026	T4001026	4
21	CASQUILLO SUSPENSIÓN DIAM. 10	SUSPENSION BUSHING		BT27712005	BT27712005	2
22	RETÉN 15X21X2 / 15X21X2 OIL SEAL	15X21X2 OIL SEAL		C230001	C230001	8
23	COJINETE AGUJAS 15BM2116	NEEDLE BEARING		BT27714009	BT27714009	6
24	TOPE AMORTIGUADOR	SHOCK ABSORVER END OF TRAVEL		BT311003013	BT311003013	1
25	TORNILLO ESPECIAL BIELETA 8X38	8X38 SPECIAL SCREW		T0118038	T0118038	2
26	CASQUILLO DISTANCIADOR BALANCÍN	ARTICULATION SPACER BUSHING		BT27914016	BT27914016	1
27	TUERCA AUTOBLOCANTE M8 ALTA	SELF-LOCKING NUT		T2108002	T2108002	2
28	CASQUILLO BALANCÍN 99	ARTICULATION BUSHING		BT27914014	BT27914014	2
29	CTO. TENSOR CADENA	CHAIN TENSIONER ASSY.		BT42000RCT3009	BT42000RCT3009	1
30	GOMA TENSOR CADENA	TENSIONER CHAIN RUBBER		BT42010RA3010	BT42010RA3010	1
31	CASQUILLO TENSOR CADENA	CHAIN TENSIONER BUSHING		B560000	B560000	1
32	MUELLE TENSOR CADENA	CHAIN TENSIONER SPRING		M122000	M122000	1
33	ALLEN CONICO 8X30 TENSOR CADENA	8X30 CONIC ALLEN		T0408030	T0408030	1

GASGAS

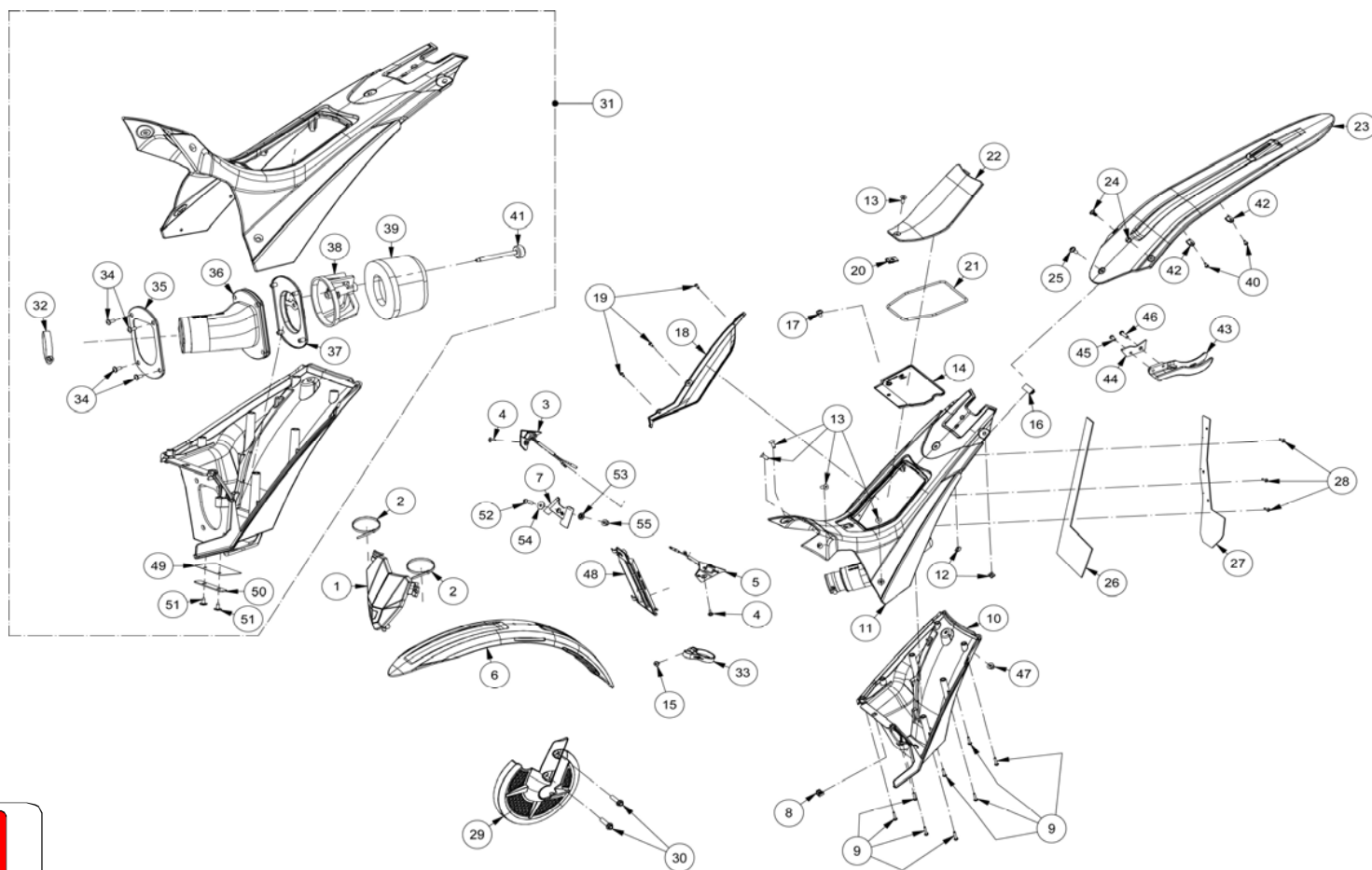
Chasis 4



Nº	DESCRIPCION	DESCRIPTION			125	250 / 280 / 300	Cant.
34	CTO. BALANCIN TRIAL RAGA 2012 LINK 1	ROCKER ARM SET LINK 1			BT30000083012	BT30000083012	1
36	TORNILLO ESPECIAL M10X80X1.25 12.9	M10X80X1.25 SCREW			T0210080	T0210080	1
37	CASQUILLO SUSPENSIÓN DIAM.8	DIAM. 8 SUSPENSION BUSHING			BT27712014	BT27712014	2
38	RETÉN 15-21-3-8170N BASC. BAL.	15-21-3-8170N OIL SEAL			C230000	C230000	2
39	TORNILLO M10X125	SCREW M10X125			BT35000003012	BT35000003012	1
40	BIELETA ALUMINIO TRIAL COMPLETA	ALUMINIUM ROD SET			BT30000063012	BT30000063012	2
41	TUERCA M10	M10 NUT			T3110002	T3110002	1
42	TORNILLO ESPECIAL UFK M8x8 10,9	SPECIAL UFK SCREW M8x8 10.9			T0310808	T0310808	2
43	SOPORTE CABALLETE	SIDE STAND SUPPORT			BT14210R3009	BT14210R3009	1
44	CASQUILLO GUÍA CABALLETE TRIAL	BUSH, PIVOT SIDE STAND			BT27712011	BT27712011	1
45	ULS 8X14	8X14 ULS BOLT			T0308014	T0308014	1
46	MUELLE CABALLETE	SIDE STAND SPRING			BT14250GG-CAT-1	BT14250GG-CAT-1	1
47	CASQUILLO TOPE CABALLETE	SIDE STAND BUSH			BE250714036	BE250714036	1
48	ALLEN M8x25	M8X25 ALLEN SCREW			T0308025	T0308025	1
49	ALLEN CONICO M6X16	M6X16 TAPERED ALLEN SCREW			T0406016N	T0406016N	1
50	EXCÉNTRICA CABALLETE TRIAL HOMO.	ADJUSTER			BT280312025H	BT280312025H	1
51	ULS M8X20	M8x20 ULS SCREW			T0508020	T0508020	1
52	ARANDELA 8x16x1,5	8x16x1,5 WASHER			T4008016	T4008016	1
53	CASQUILLO TAPA EJE BASCULANTE	SWINGARM AXLE CAP			BT43000R3009	BT43000R3009	1
54	JUNTA TORICA NBR Ø25,12x1,78	Ø25,12x1,78 NBR O'RING			MIT50032063	MIT50032063	1
55	TORNILLO RETENDOR PINZA FRENO	CALIPER BOLT STOPPER			T0200608	T0200608	1
56	MUELLE REIGER K=60N/mm	REIGER SPRING K= 60N/mm			RRS4102	RRS4102	1
57	MUELLE REIGER K=65N/mm	REIGER SPRING K= 65N/mm			RRS4103	RRS4103	1
58	MUELLE REIGER K=70N/mm	REIGER SPRING K= 70N/mm			RRS4104	RRS4104	1
59	MUELLE REIGER K=75N/mm	REIGER SPRING K= 75N/mm			RRS4105	RRS4105	1

GASGAS

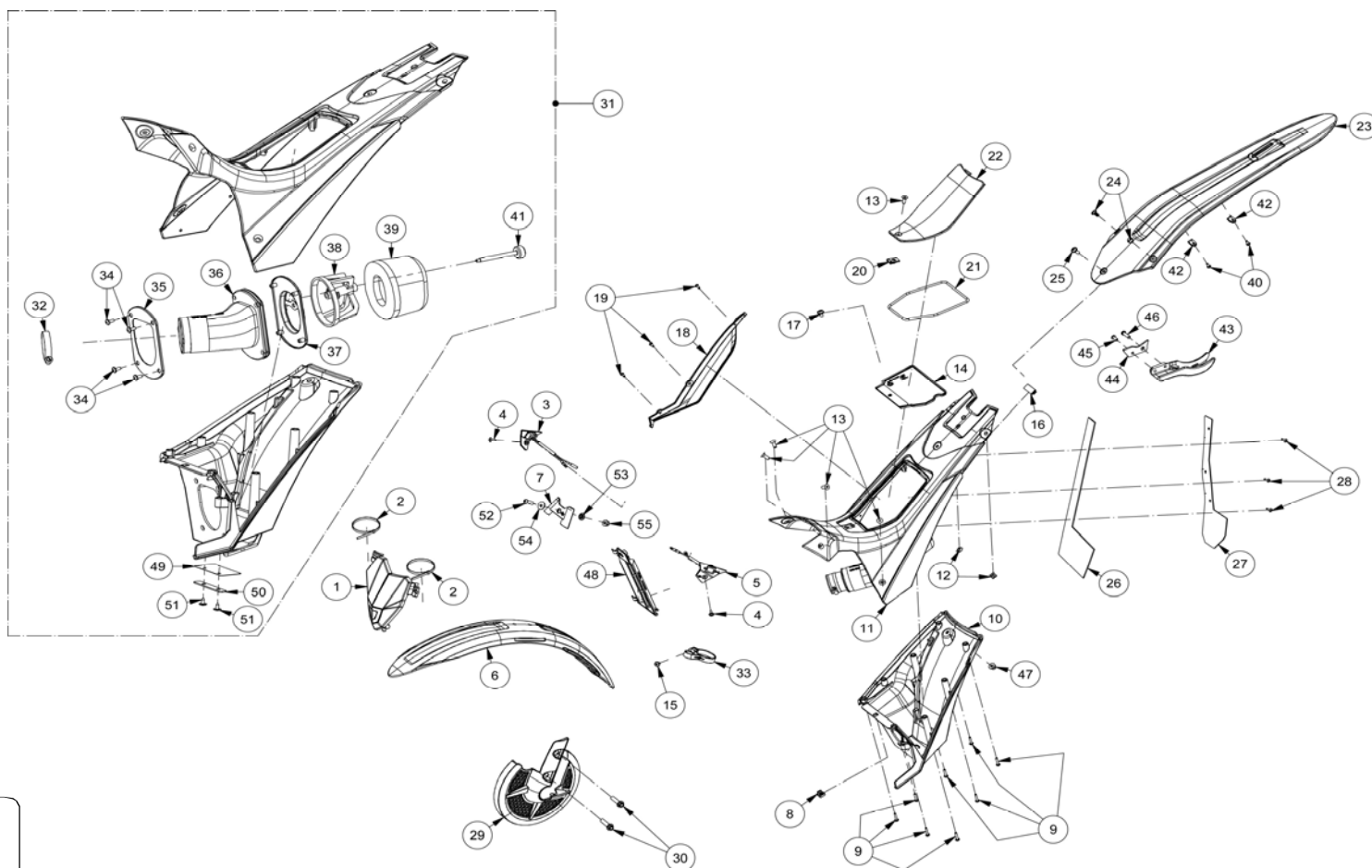
Chasis 4



Nº	DESCRIPCION	DESCRIPTION				125 / 250 / 280 / 300	Cant.
1	CTO. FARO TXT RACING	RACING HEADLIGHT SET				BT90000063011	1
2	BRIDA UNEX	UNEX PLASTIC CLAMP				BE25634007	2
3	TAPA LATERAL DERECHA CON INTERRUPTOR CDI	RIGHT SIDE COVER WITH CDI SWITCH				BT91500CT-CBN-1	1
4	TORNILLO CHAPA 4.2X13	SCREW 4.2X13				T0804612	2
5	TAPA LATERAL IZQUIERDA CON INTERRUPTOR DE LUCES	LEFT SIDE COVER WITH LIGHTS SWITCH				BT92000CT-CBN-1	1
6	CTO.GUARDABARROS DELANTERO	TRIAL FRONT FENDER ASSY				BT91000CT-CGI-1	1
7	PROTECTOR TOPE DE DIRECCION	STEERING STOP PROTECTOR				BT170002809	1
8	TUERCA ENJAULADA M6	M6 STANDARD CAGE NUT				T2006010	1
9	TORNILLO ROSCA-CHAPA 3,5X20	3,5X20 SCREW THREAD				T0803020	8
10	CAJA FILTRO TRIAL	AIR CLEANER BOX				BT790003013	1
11	CTO. BASE ASIENTO TRIAL	TRIAL SEAT ASSY				BT94010GG-CGI-1	1
12	TUERCA CUADRADA M6 INOX DIN 557	M6 SQUARE NUT INOX DIN 557				T730600000009	2
13	TORNILLO CONICO 6X16 INOX	INOX 6X16 CONIC SCREW				T0406016I	5
14	CONJUNTO VISERA INTERIOR CAJA FILTRO	INTERNAL AIRFILTER BOX COVER SET				BT798103013CT	1
15	TORNILLO GUIA LATIGUILLO	HOSE GUIDE SCREW				T259349	1
16	PRENSACABLES SR1789	CABLE GLAND				BT280428006	1
17	TORNILLO ESP.6X12 CON ARANDELA Y FIJADOR INOX	M6X12 SPECIAL SCREW WITH WASHER				BT35000073012	1
18	PROTECTOR ESCAPE TRIAL	EXHAUST PROTECTOR				BT947002811	1
19	REMACHE ALUMINIO 4X12 CABOTA NEGRA	ALUMINIUM RIVET				T4504012N	2
20	GRAPA TUERCA RAPIDA M6	M6 CHIMNEY NUT				T2606000	1
21	TUBO FLEXIBLE SILICONA BASE ASIENTO	SEAT BASE SILICON HOSE				BT795302811	1
22	CTO. TAPA CAJA FILTRO TRIAL	TRIAL FILTER BOX COVER ASSY				BT79050CT-CGI-1	1
23	CTO. GUARDABARROS TRAS. TRIAL	TRIAL REAR FENDER ASSY				BT93500CT-CGJ-1	1
24	TORNILLO ESP.DE PLASTICO NEGRO M6X12	M6X12 BLACK ESPECIAL PLASTIC SCREW				BT35000083012	2
25	ULS 6X16 CON ARANDELA NEGRO	6X16 BLACK ULS WITH WASHER				T0556016	1
26	AD. PROTECTOR CAJA FILTRO	AIR CLEANER PROTECTOR SITCKER				BT795502811	1
27	GOMA PROTECCIÓN CAJA FILTRO	AIR CLEANER BOX PROTECTOR RUBBER				BT795402811	1
28	TORN. ESPECIAL PLASTICO 4X12 CELO RF87T ZINCADO	4X12 SPECIAL SCREW				T0804012	3
29	PROTECTOR DISCO FRENO	FRONT BRAKE DISK PROTECTOR				BT94100GG-CAS-1	1
30	TORNILLO PINZA FRENO DELANTERA INFERIOR 8X1.25X36.5	SCREW				BT280022071	2
31	CTO. CAJA FILTRO TRIAL PRO	PRO FILTER BOX SET				BT79000CT-CGJ-1	1
32	ABRAZADERA S56/9 /	CLAMP				MT280316132	1
33	GUIA LATIGUILLO FRENO DELANTERO	BREAK HOSE GUIDE				BT21600RA3010	1
34	ULS 4X10 NEGRO CON ABRAZADERA	ULS 4X10 BOLT				T0554010N	4
35	PLATINA EXTERIOR SOPORTE JAULA FILTRO TRIAL 2002	EXTERNAL PLATE				BT280228021	1

GASGAS

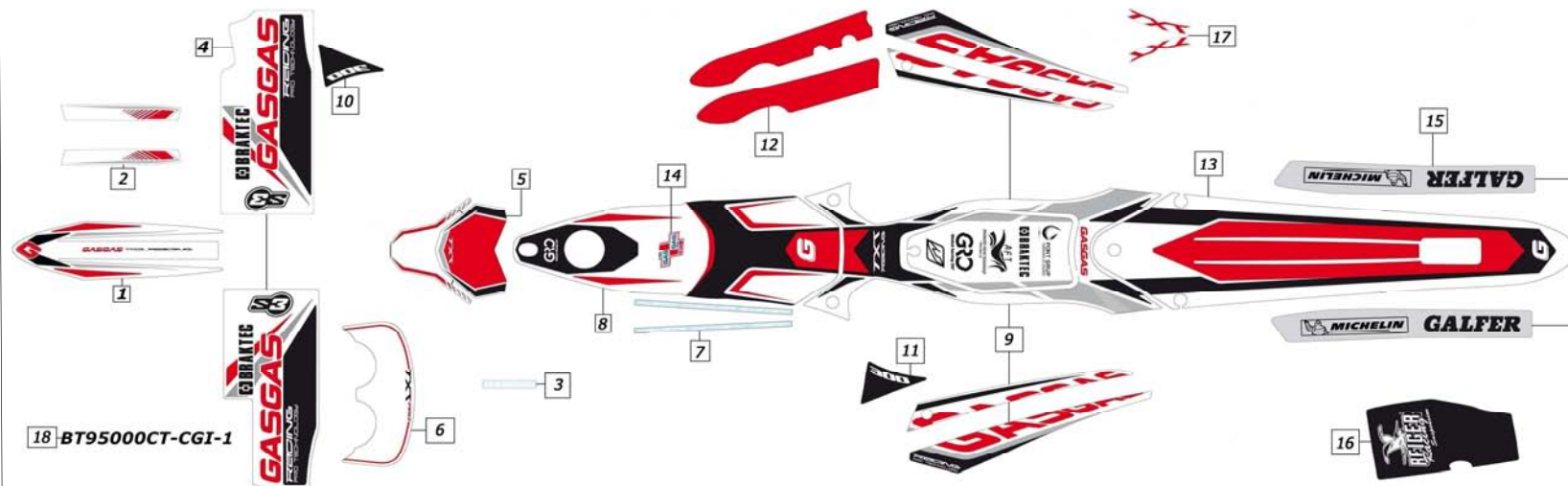
Chasis 5



Nº	DESCRIPCION	DESCRIPTION				125 / 250 / 280 / 300	Cant.
36	TOBERA CAJA FILTRO TRIAL SXXI	TUBE, AIR CLEANER CONNECT.				BT792002811	1
37	PLATINA INTERIOR SOPORTE JAULA FILTRO TRIAL 2002	INNER PLATE				BT280228020	1
38	JAULA FILTRO AIRE TRIAL 280-2002	AIR CLEANER CAGE				BT280228002	1
39	FILTRO AIRE TRIAL XXI	AIR CLEANER				BT280328000	1
40	TORNILLO ROSCA CHAPA 3,6x10	3,6X10 SCREW				T36040101910B	2
41	VARILLA FILTRO TRIAL 2002	AIR CLEANER ROD				BT795202811	1
42	GRAPA SUJECCIÓN CABLE	CABLE FIXING CLIP				ET750502809	2
43	PROTECTOR DISCO TRASERO	REAR BRAKE DISC GUARD				BT57050R3009	1
44	SOPORTE PROTECTOR DE DISCO	DISC GUARD SUPPORT				BT280222051	1
45	TORNILLO ULS M5x12	M5x12 ULS SCREW				T0505012	1
46	TORNILLO ULS M6x20	M6x20 ULS SCREW				T0506020	1
47	TUERCA M6	M6 NUT				T2206002	1
48	PROTECTOR RADIADOR	RADIATOR GUARD				BT730502809	1
49	VÁLVULA VACIADOR CAJA FILTRO TRIAL	TRIAL FILTER BOX VALVE				BT280428032	1
50	PISADOR VÁLVULA VACIADOR CAJA FILTRO	BOX VALVE SUJECTION				BT280428045	1
51	TORNILLO ROSCA-CHAPA 4,2X10 NEGRO	BLACK 4,2X10 SCREW				T0604210	2
52	TORNILLO ULS TOPE DE DIRECCION	STEERING STOP PROTECTOR ULS SCREW				T0506020	1
53	CASQUILLO SEPARADOR TOPE DE DIRECCION	STEERING STOP PROTECTOR BUSH				BE250032060	1
54	ARANDELA TOPE DE DIRECCION	STEERING STOP PROTECTOR WASHER				T4006018	1
55	TUERCA AUTOBLOCANTE	AUTOLOCK NUT				T2206002	1

GASGAS

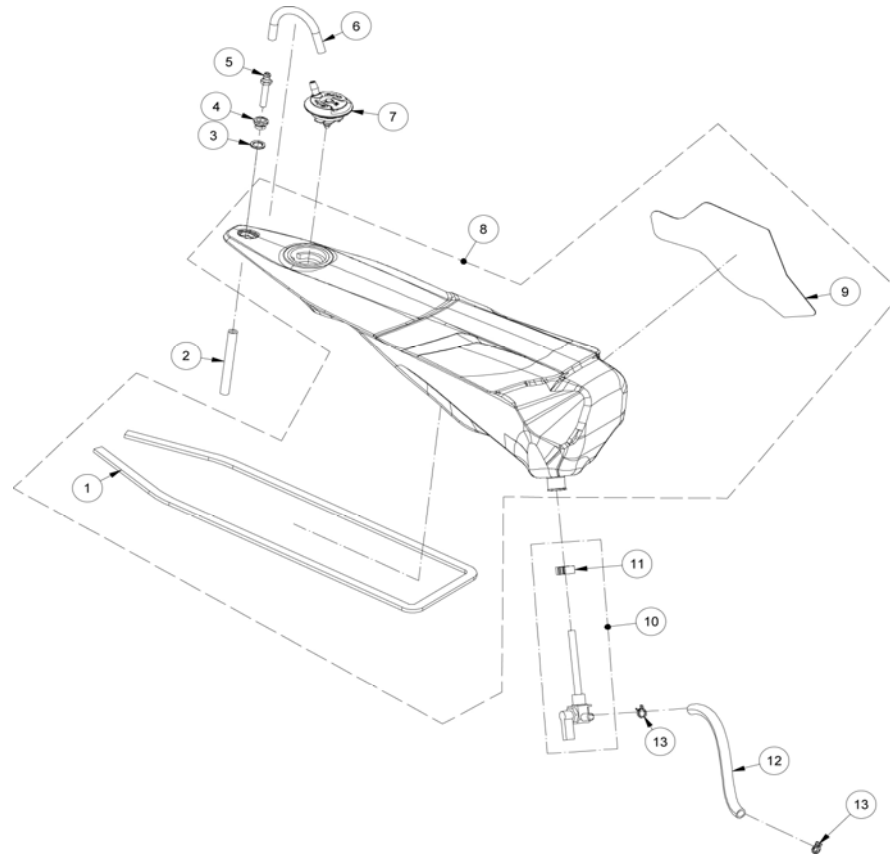
Chasis 5



Nº	DESCRIPCION	DESCRIPTION	125	250	280	300	Cant.
1	ADH. GUARDABARROS DELANTERO	FRONT FENDER DECAL				BT95001GG-CGI-1	1
2	ADH TRASERO GUARDABARROS DELANTERO	REAR FENDER FRONT DECAL				BT95205GG-CGI-1	1
3	ADH. GASGAS	GASGAS DECAL				BT95000703012	1
4	KIT ADH.SUSPENSION	FRONT SUSPENSION SET DECAL				BT95010CT-CGI-1	1
5	ADH.FARO RACING	HEADLIGHT RACING DECAL				BT95020CT-CGI-1	1
6	ADH.FARO TRIAL HOMOLOGADO	HEADLIGHT HOMOLOGATED DECAL				BT95021GG-CAS-1	1
7	ADH. TUBULAR SYSTEM	FRAME TUBULAR SYSTEM DECAL				BT950502811	1
8	ADH.DEPOSITO GASOLINA	FUEL TANK DECAL				BT95190GG-CGI-1	1
9	CTO.ADH.CAJA FILTRO	AIRBOX DECAL				BT95180CT-CGI-1	1
10	ADH.ASIENTO CILINDRADA LADO DERECHO	ENGINE CAPACITY DECAL (RIGHT)	BT95135GG-CGC-1	BT95135GG-CGE-1	BT95135GG-CGG-1	BT95135GG-CGI-1	1
11	ADH.ASIENTO CILINDRADA LADO IZQUIERDO	ENGINE CAPACITY DECAL (LEFT)	BT95136GG-CGC-1	BT95136GG-CGE-1	BT95136GG-CGG-1	BT95136GG-CGI-1	1
12	CTO.ADH. PROTECTOR CHASIS	FRAME GUARD DECAL				BT95090CT2811	1
13	ADH.GUARDABARROS TRASERO	REAR FENDER DECAL				BT95120GG-CGI-1	1
14	ADH. GAS GAS 30 ANIVERSARIO	GAS GAS 30TH ANIVERSARY DECAL				BE95235GG-CDH-1	1
15	CTO.ADH.BASCULANTE	SWINGARM SET DECAL				BT95125CT-CGI-1	1
16	ADH. SPONSORS CAJA FILTRO	SPONSORS AIRBOX DECAL				BT952003013	1
17	ADH. TXT	TXT DECAL				BT95216GG-CGI-1	1
18	KIT ADH.COMPLETO TXT REPLICA FACTORY 2014	COMPLETE SET FACTORY REPLICA TXT 2014	BT95000CT-CGI-1	BT95000CT-CGI-1	BT95000CT-CGI-1	BT95000CT-CGI-1	1

GASGAS

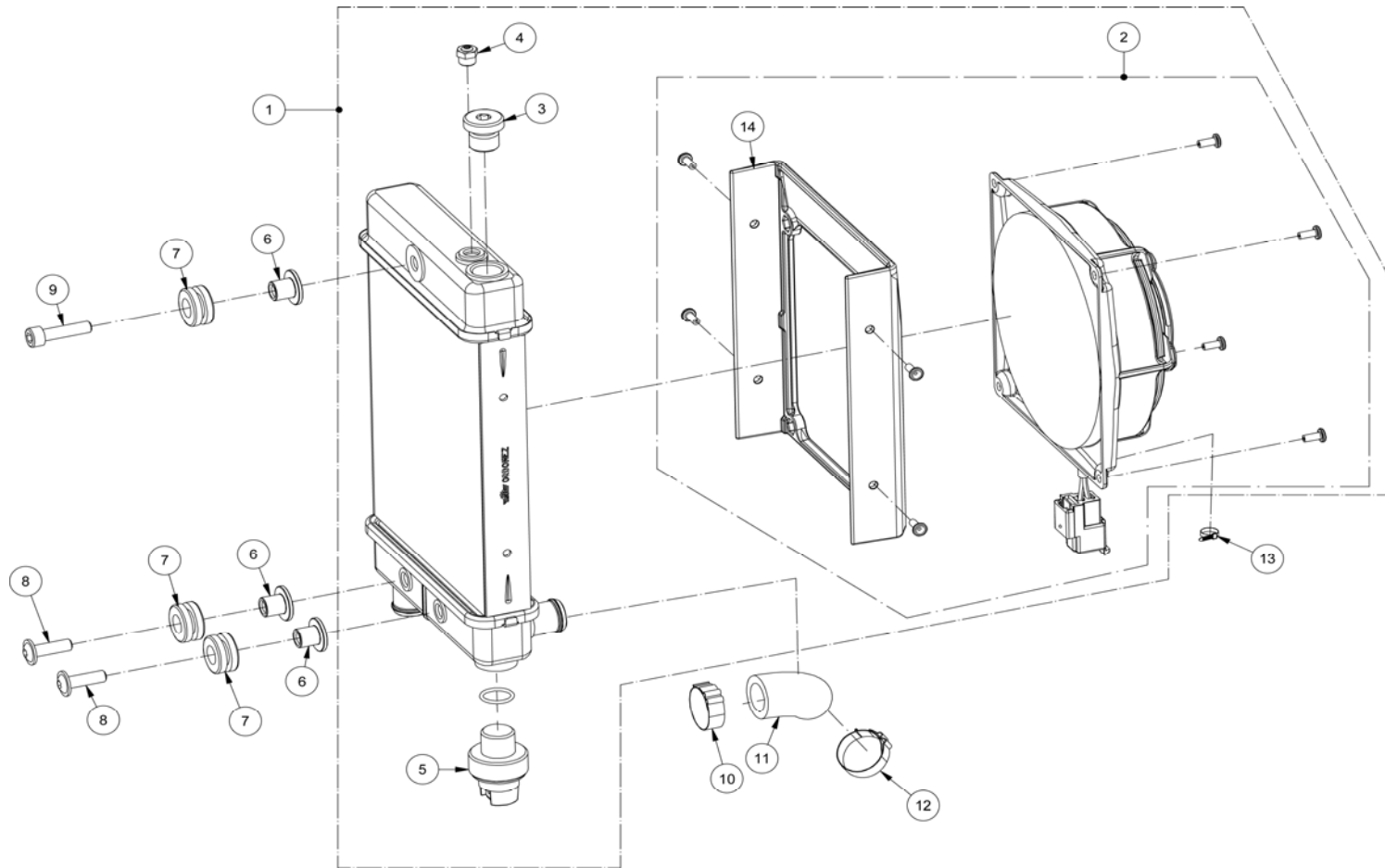
Chasis 6



Nº	DESCRIPCION	DESCRIPTION				125 / 250 / 280 / 300	Cant.
1	GOMA INSONORIZA DEPOSITO GASOLINA 2012	FUEL TANK RUBBER soundproof 2012				BT80000093012	1
2	TUBO DESVAPORIZADOR TAPON GASOLINA COMPLEMENTARIO	SUPPLEMENTARY FUEL PIPE PLUG fuel vent				BT80000063012	1
3	ARANDELA DE GOMA Ø14.9 X Ø10 X 1.5	Ø14.9 X Ø10 X 1.5 RUBBER WASHER				BT760953013	1
4	CASQUILLO DEPOSITO TRIAL	FUEL TANK BUSH				BT761053013	1
5	TORNILLO DESVAPORIZADOR	FUEL VENT SCREW				BT80000033012	1
6	CTO.TUBO DESVAPORIZADOR GASOLINA	FUEL VENT HOSE SET				BT80000073012	1
7	CTO.TAPON GASOLINA TRIAL	FUEL CAP SET				BT80000053012	1
8	KIT.DEPOSITO GASOLINA	FUEL TANK SET				BT760013013CTR	1
9	PROTECTOR TERMICO DEPOSITO GASOLINA	FUEL TANK HEAT SHIELD				BT960303013	1
10	GRIFO GASOLINA	FUEL VALVE				BIT50010031	1
11	ABRAZADERA COBRA D.17	COBRA CLAMP Ø17				BIT50010033	1
12	TUBO GASOLINA TRIAL	FUEL TUBE				BT780053013	1
13	ABRAZADERA ELÁSTICA NEGRA ALAMBRE 9.3X9.9 2016055	SPRING CLAMP				L200036	2

GASGAS

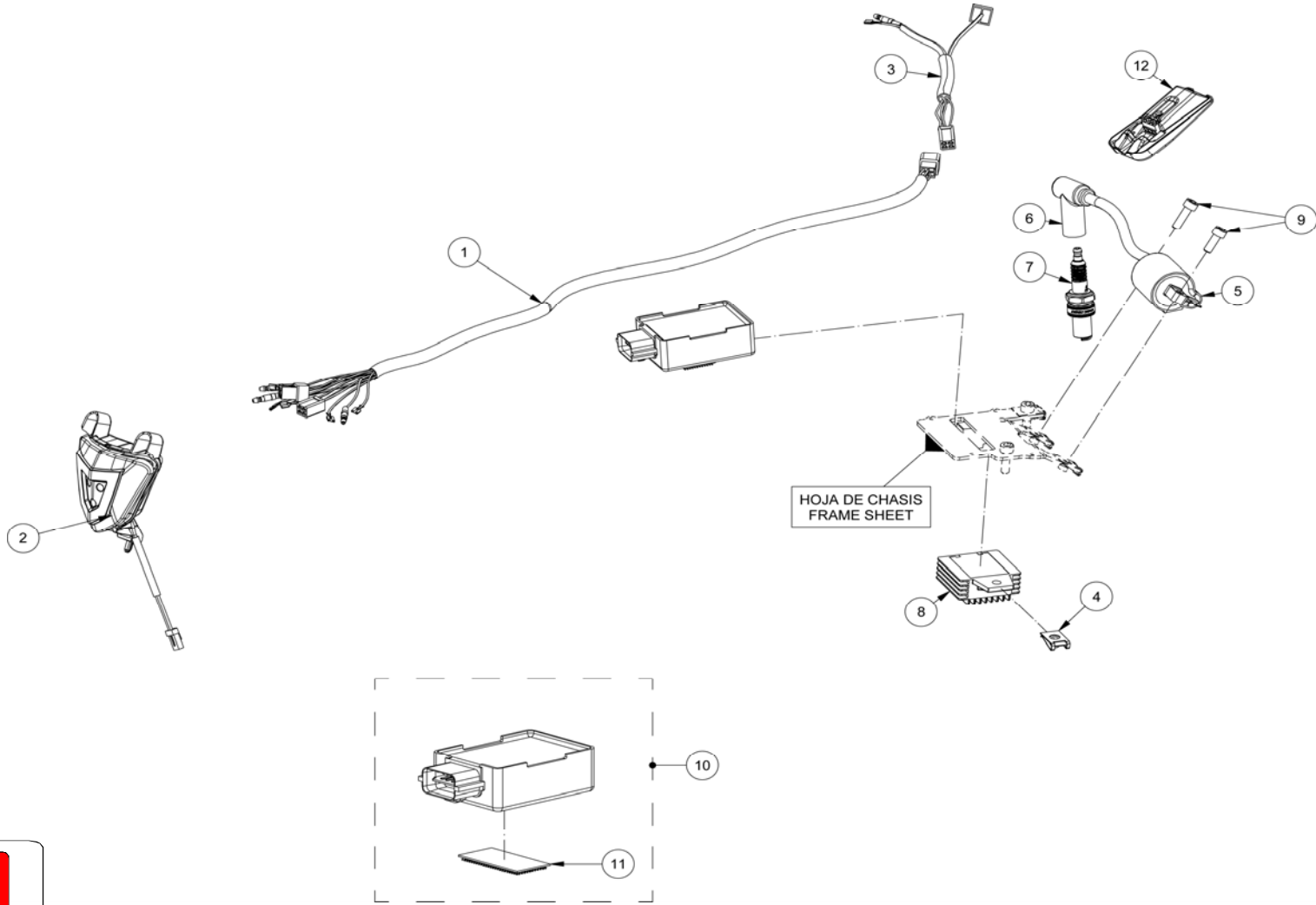
Chasis 7



Nº	DESCRIPCION	DESCRIPTION				125 / 250 / 280 / 300	Cant.
1	CONJUNTO RADIADOR	RADIATOR KIT				BT70000CT-CBN-1	1
2	ELECTROVENTILADOR	ELECTROFAN				BT72000GG-CBN-1	1
3	TAPON DE LLENADO RADIADOR	RADIATOR CAP				BT701503013	1
4	VALVULA DE PRESION	PRESSURE VALVE				BT701553013	1
5	TERMOCONTACTO	THERMOSWITCH				BT720103013	1
6	CASQUILLO RADIADOR	RADIATOR BUSH				BT700903013	3
7	GOMA SILENTBLOCK	SILENTBLOCK				G220000	3
8	TORNILLO ULS ALLEN CON ARANDELA M6x25	M6x25 ALLEN SCREW WITH WASHER				T0556020	2
9	TORNILLO ALLEN M6x30	M6x30 ALLEN SCREW				T0306030	1
10	ABRAZADERA COBRE DE 23	COBRA CLAMP Ø23				L200041	1
11	TUBO RADIADOR A CULATA	RADIATOR TO HEAD CYLINDER HOSE				BT710503013	1
12	ABRAZADERA COBRA DE 22	COBRA CLAMP Ø22				L200038	1
13	BRIDA UNEX CORTA 2.5X98	UNEX CALMP				BE25634010	1
14	CARCASA ADAPTADOR	ADAPTER HOUSING				BT72020GG-CBN-1	1

GASGAS

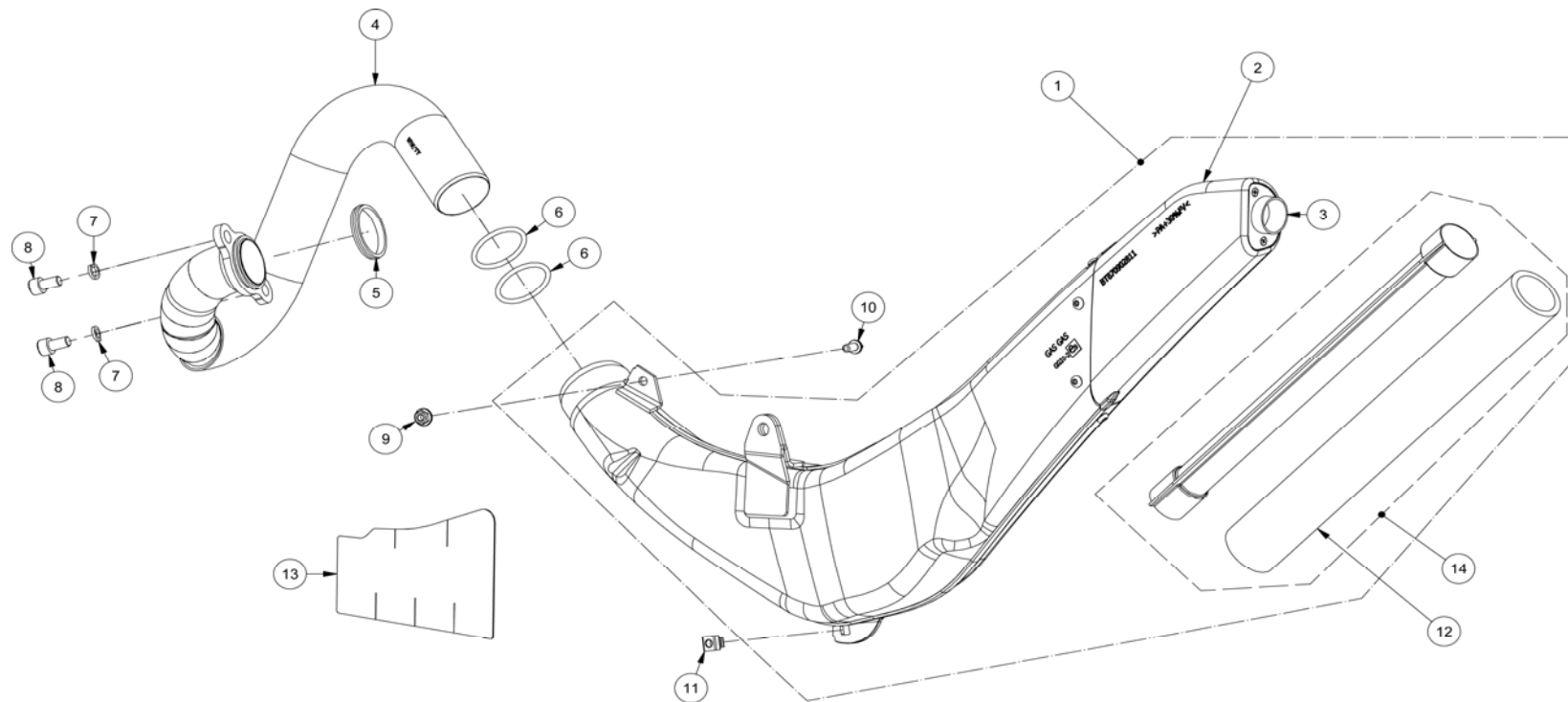
Chasis 8



Nº	DESCRIPCION	DESCRIPTION	125	250	280	300	Cant.
1	INSTALACIÓN TRIAL (SERVICIO)	TRIAL INSTALLATION (SERVICE)	ET10000GG-CBN-1	ET10000GG-CBN-1	ET10000GG-CBN-1	ET10000GG-CBN-1	1
2	CTO. FARO RACING	FRONT HEADLIGHT KIT	BT90000063011	BT90000063011	BT90000063011	BT90000063011	1
3	ALARGO INSTALACION PILOTO TRASERO	REAR LIGHT EXTENSION INSTALLATION	ET300102808	ET300102808	ET300102808	ET300102808	1
4	TUERCA NUT 956 RAPIDA M6	M6 CHIMNEY NUT	T2606000	T2606000	T2606000	T2606000	1
5	BOBINA	IGNITION COIL	ET500003013	ET500003013	ET500003013	ET500003013	1
6	PIPA BUJÍA IB05EMH	IB05EMH SPARK PLUG	BE25934000	BE25934000	BE25934000	BE25934000	1
7	BUJÍA BPR5ES	BPR5ES SPARK	M04012000	M04012000	M04012000	M04012000	1
8	REGULADOR ALTERNADOR	ALTERNATOR REGULATC	EE51200GG-CAB-1	EE51200GG-CAB-1	EE51200GG-CAB-1	EE51200GG-CAB-1	1
9	ALLEN 6X20	ALLEN 6X20 BOLT	T0306020	T0306020	T0306020	T0306020	2
10	CDI DIGITAL	DIGITAL CDI	ET51100CT-CGC-1	ET51100CT-CGE-1	ET51100CT-CGG-1	ET51100CT-CGI-1	1
11	CINTA DE CIERRE ADHESIVA	LOCKING ADHESIVE TAPE	BT51120GG-CBN-1	BT51120GG-CBN-1	BT51120GG-CBN-1	BT51120GG-CBN-1	1
12	FARO PILOTO TRIAL	TRIAL REAR LIGHT SET	ET30000CT2811	ET30000CT2811	ET30000CT2811	ET30000CT2811	1

GASGAS

Chasis 9

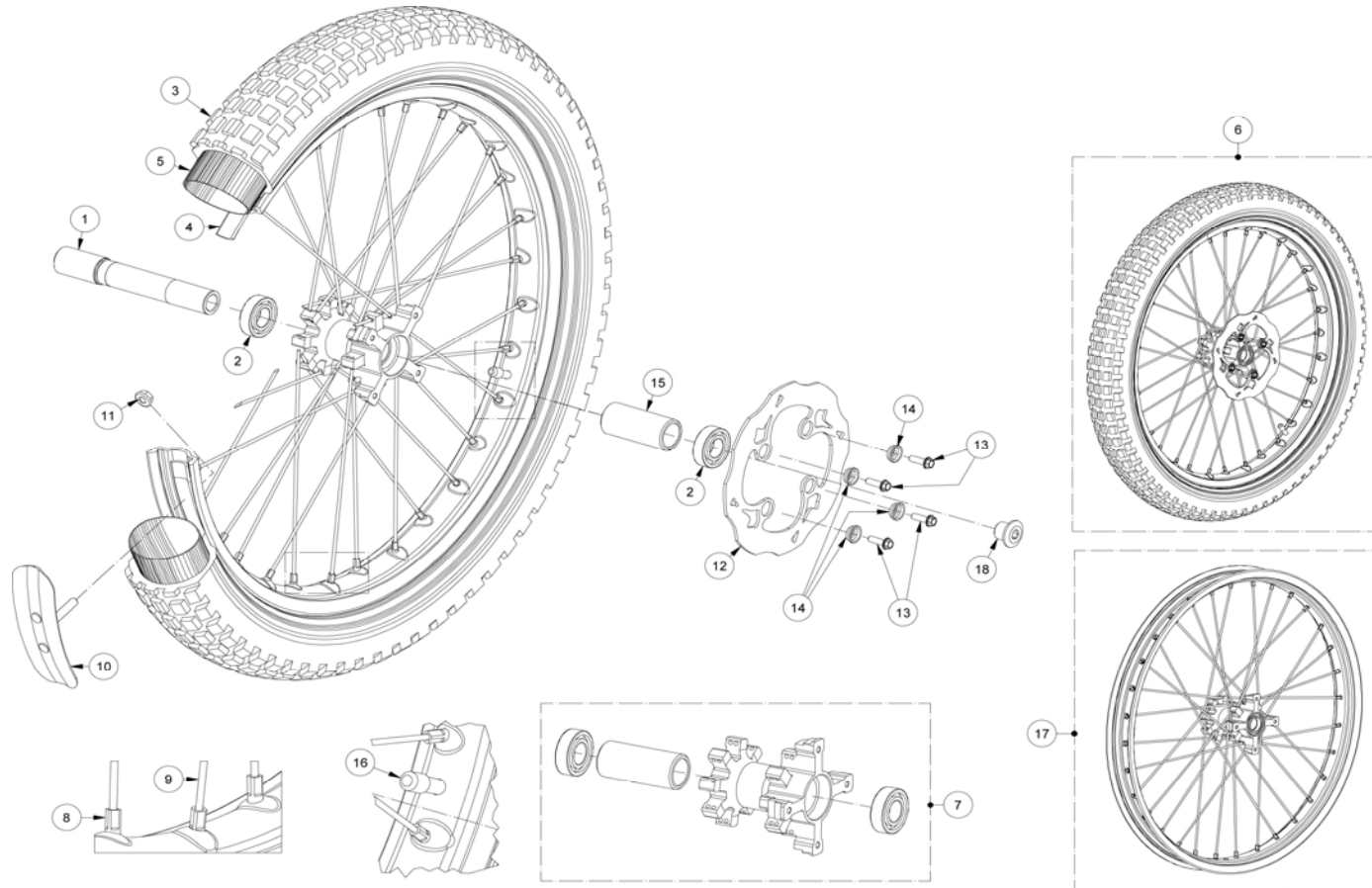


Nº	DESCRIPCION	DESCRIPTION				125 / 250 / 280 / 300	Cant.
1	CTO. ESCAPE INTERM. Y FINAL	EXHAUST SET				BT860002811	1
2	CAZOLETA SILENCIOSO FINAL	FINAL EXHAUST COVER				BT870802811	1
3	SALIDA INOX FINAL ESCAPE	INOX END EXHAUST				BT870803013	1
4	CURVA ESCAPE TRIAL	TRIAL BEND EXHAUST				BT86000GG-CBF-1	1
5	JUNTA ESCAPE S4 105	EXHAUST GASKET				MT280244012	1
6	TÓRICA SILENCIOSO INTERMEDIO 44.05X3.53	O'RING INT. SILENCER				C290000	2
7	ARANDELA GROVER 8X12X2	GROVER WASHER				T4008314	2
8	TORNILLO ALLEN M6X16	M6X6 ALLEN SCREW				T0308016	2
9	TUERCA CON ARAND. ESTRIADA M6	M6 NUT WITH WASHER				T2206000	1
10	TORNILLO HEXAGONAL CON ARANDELA M6X14	6X14 HEX. WITH WASHER SCREW				T0206014	1
11	TUERCA ENJAULADA M6	M6 STANDARD CAGE NUT				T2006010	1
12	FIBRA ANTICALORICA	HEATPROOF FIBER				BT85000003011	1
13	PROTECTOR CALORICO	HEATPROOF GUARD ADHESIVE				BT96030GG-CBN-1	1
14	TUBO INTERNO CON FIBRA	INNER TUBE WITH FIBER				BT870802511	1

Rueda delantera /
Front Wheel

GASGAS

TXT RACING2015

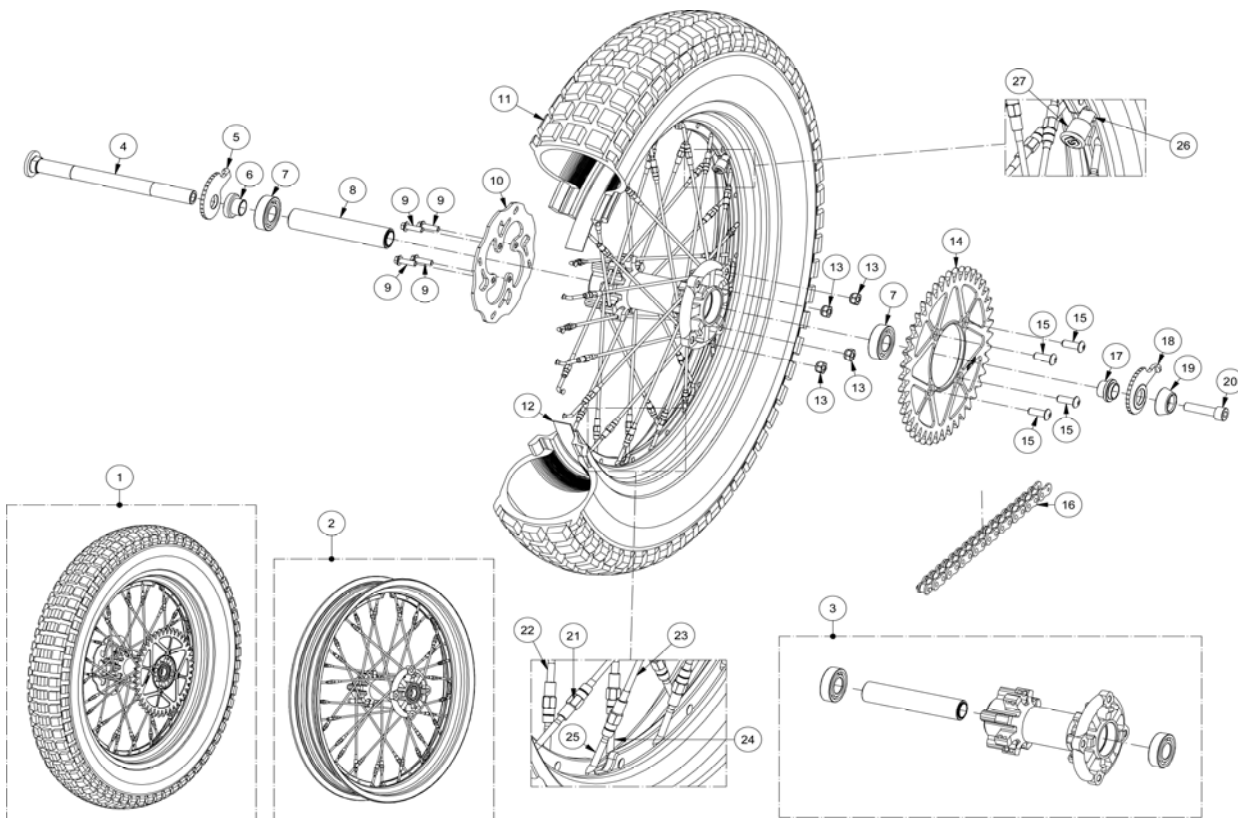


Nº	DESCRIPCION	DESCRIPTION				125 / 250 / 280 / 300	Cant.
1	EJE RUEDA DELANTERA TRIAL PRO 2004	FRONT WHEEL AXLE				BT53000R3009	1
2	COJINETE	BEARING				ME120136055	2
3	NEUMATICO RUEDA DELANTERA MICHELIN X11	FRONT TYRE				N140000	1
4	GOMA PROTECTOR R14025 2.75X21 REF. 554350	FRONT FLAP TYRE				BE503002511	1
5	CÁMARA DELANTERA	FRONT TUBE				N120000	1
6	CTO. RUEDA DELANTERA TRIAL PRO	FRONT WHEEL KIT				BT50000CT-CGJ-1	1
7	CTO. CUBO RUEDA DELANTERA TRIAL	FRONT HUB WHEEL KIT				BT54110CT-CGJ-1	1
8	TUERCA RADIOS 3MM. RUEDA DELANTERA DIA. 6.5	SPOKE NUT				BT27718001	32
9	RADIO 3X257 RUEDA DELANTERA TRIAL NEGRO	BLACK FRONT WHEEL SPOKE				BT54200N2809	32
10	AGARRE CUBIERTA	TYRE CLAMP				BE505002509	1
11	TUERCA CON ARANDELA ESTRIADA M8 ZINCADA	NUT WITH WASHER				T2208001	1
12	DISCO FRENO DELANTERO	FRONT BRAKE DISK				BT520003013	1
13	HEXAGONAL M8 CON ARANDELA	M8 HEXAGONAL SCREW WITH WASHER				T0206020	4
14	DISTANCIADOR DISCO FLOTANTE	WASHER FLOATING DISC				BT27918019	4
15	CASQUILLO INTERIOR BUJE	BUSHING				BT280418051	1
16	KIT TAPONES SILICONA VALVULA TRIAL ROJO	VALVE RED SILICONE CAP KIT				BT555002808R	1
17	CONJUNTO LLANTA	RIM SET				BT54000CT-CGJ-1	1
18	TORNILLO EJE DELANTERO	FRONT AXLE SCREW				BT53010R3009	1

Rueda trasera /
Rear wheel

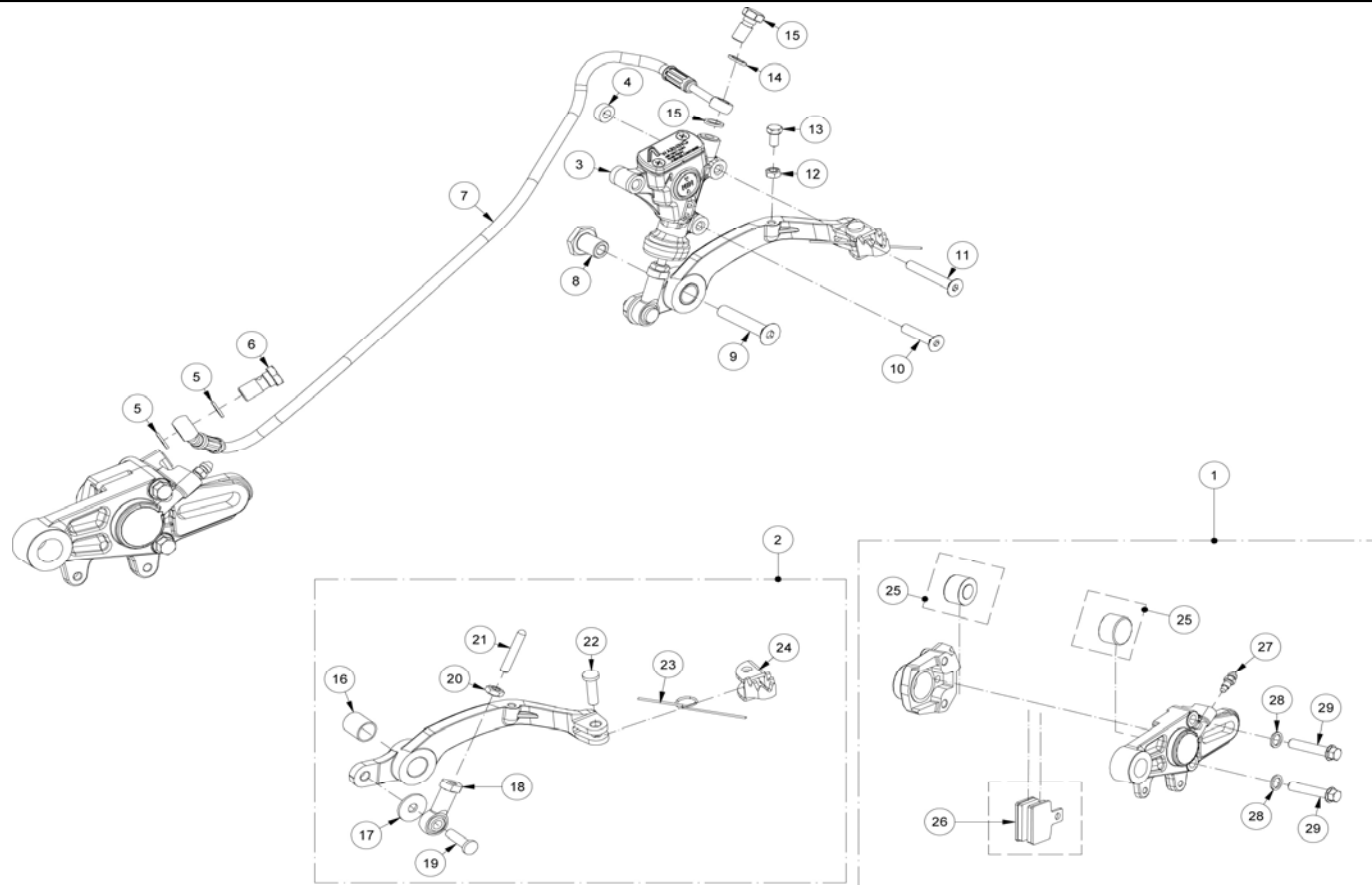
GASGAS

TXT RACING2015



Nº	DESCRIPCION	DESCRIPTION		125	250 / 280 / 300	Cant.
1	RUEDA TRASERA TRIAL	TRIAL REAR WHEEL		BT55000CT-CGJ-1	BT55000CT-CGJ-1	1
2	CTO. LLANTA TRASERA RADIADA	REAR RIM KIT		BT59000CT-CGJ-1	BT59000CT-CGJ-1	1
3	CUBO RUEDA TRASERA	REAR WHEEL HUB		BT59100CT-CDD-1	BT59100CT-CDD-1	1
4	EJE RUEDA TRASERA	REAR WHEEL AXLE		BT580003013	BT580003013	1
5	EXCÉNTRICA TRASERA LADO DISCO	REAR SAIL CAM ADJUSTER DISC SIDE		BT581313013	BT581313013	1
6	DISTANCIADOR RUEDA TRASERA 7.5MM	REAR SPACER WHEEL		BT58100R3009	BT58100R3009	1
7	COJINETE 6004	BEARING		C160001	C160001	2
8	CASQUILLO SEPARADOR 390.80.221	BUSHING		BT280218052	BT280218052	1
9	TORNILLO 6X18	6X18 SCREW		T0206020	T0206020	4
10	DISCO FRENO TRASERO TRIAL	REAR BRAKE DISK		BT570003013	BT570003013	1
11	CUBIERTA TRASERA	REAR WHEEL TYRE		BT551002811	BT551002811	1
12	FLAP LLANTA TRASERA	REAR RIM FLAP		BT551502808	BT551502808	1
13	TUERCA AUTOBLOCANTE M8 BAJA	LOW SELF-LOCK NUT		T2108001	T2108001	4
14	CORONA COLOR TITANIO	TITANIUM COLOUR SPROCKET		BT573021213	BT573013013	1
15	ULS 8X20 PLAT. PROT.	8X20 ULS		T0568022	T0568022	4
16	CADENA TRIAL	TRIAL CHAIN		BT120210036	BT05000013012	1
17	DISTANCIADOR RUEDA TRAS.LADO CORONA	CROWN SIDE REAR WHEEL SPACER		BT581103013	BT581103013	1
18	EXCENTRICA TRASERA LADO CORONA			BT581353013	BT581353013	1
19	CASQUILLO TORNILLO EJE RUEDA TRASERA	REAR WHEEL AXLE CAP SCREW		BT581203013	BT581203013	1
20	TORNILLO EJE RUEDA TRASERA	REAR WHEEL AXLE BOLT		BT280718023	BT280718023	1
21	SENSOR RADIO	SPOKE NUT		BT592032809	BT592032809	32
22	RADIO DERECHO LARGO	LONGER RIGHT SPOKE		BT59201R3009	BT59201R3009	16
23	RADIO IZQUIERDO LARGO	LONGER LEFT SPOKE		BT59211R3009	BT59211R3009	16
24	RADIO DERECHO CORTO	SHORTER RIGHT SPOKE		BT59202R3009	BT59202R3009	16
25	RADIO IZQUIERDO CORTO	SHORTER LEFT SPOKE		BT59222R3009	BT59222R3009	16
26	VÁLVULA	AIR VALVE		N200110	N200110	1
27	KIT TAPONES SILICONA VALVULA	VALVE RED SILICONE CAP KIT		BT555002808R	BT555002808R	1

Nº	DESCRIPCION	DESCRIPTION				125 / 250 / 280 / 300	Cant.
1	CTO. FRENO DELANTERO	FRONT BRAKE SET				BT60000CT-CGI-1	1
2	PINZA FRENO DELANTERO	FRONT CALIPER				BT620003013	1
3	CTO. BOMBA FRENO DELANTERO	FRONT PUMP SET				BT61000CT-CAT-1	1
4	ARANDELA PLANA COBRE 10.25X14X1.4	10.25X14X1.4 WASHER				BT280522007	2
5	SANGRADOR FRENO DELANTERO D8	HOSE SCREW				BT612002811	1
6	LATIGUILLO FRENO DELANTERO	FRONT BRAKE TUBE				BT611003013	1
7	ARANDELA (10x14x1,5)	10x14x1,5 WASHER				BT280522007	1
8	LEVA FRENO	BRAKE LEVER				BT61300R3009	1
9	KIT TAPA BOMBA	PUMP COVER KIT				BT61010CT-CAS-1	1
10	KIT BRIDA MANILLAR	HANDLEBAR CLAMP KIT				BT61350GG-CAS-1	1
11	KIT REPARACION BOMBA	PUMP REPAIR KIT				BT613023013	1
12	KIT AJUSTE LEVA	ADJUST LEVER KIT				BT614003013	1
13	JUEGO PASTILLAS FRENO	BRAKE PADS KIT				BT625003013	1
14	TAPON ANODIZADO NEGRO CON TORICA	CAP AND O'RING KIT				BT620303013	1
15	KIT REPARACION PINZA FRENO DEL.	FRONT BRAKE CALIPER REPAIR SET				BT620153013	1
16	LLAVE TORX T100	TORX TOOL T100				RP600013013	1
17	CLIP PASTILLA FRENO	CLIP BRAKE PADS				BT620203013	1

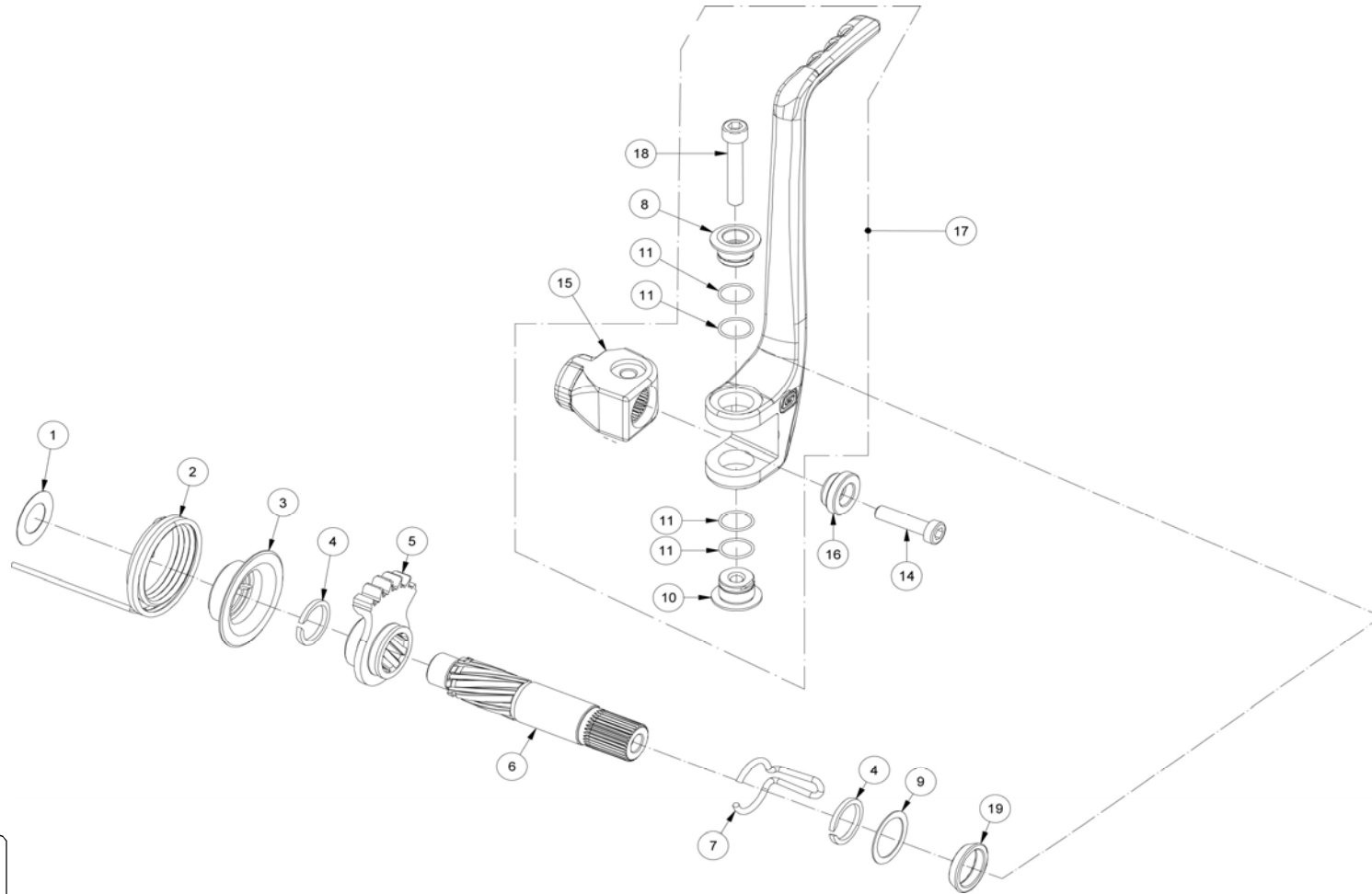


Nº	DESCRIPCION	DESCRIPTION				125 / 250 / 280 / 300	Cant.
1	PINZA FRENO TRASERA AUTOPORTANTE	REAR CALIPER AUTOSTAND				BT670013013	1
2	CONJUNTO PEDAL FRENO	BRAKE PEDAL SET				BT13000CT2809	1
3	BOMBA FRENO TRASERO	REAR PUMP BRAKE				BT660002811	1
4	SEPARADOR TERMICO BOMBA - ESCAPE	THERMAL SPACER				BT280226240	1
5	ARANDELA (10x14x1.5)	10x14x1.5 WASHER				BT280522007	2
6	RACOR LATIGUILLO FRENO TRAS (PINZA)	HOSE FITTING (CALIPER)				BT280522006	1
7	LATIGUILLO FRENO TRAS	HOSE				BT661003013	1
8	CASQUILLO	BUSH				BT280610302	1
9	TORNILLO CONICO ALLEN M8X45	M8X45 ALLEN TAPERED SCREW				T0408045	1
10	TORNILLO CONICO ALLEN M6X30	M6X30 ALLEN TAPERED SCREW				T04060301	1
11	TORNILLO CONICO ALLEN M6X43	M6X43 ALLEN TAPERED SCREW				T04060431	1
12	CONTRATUERCA TOPE	STOPPER NUT				T2005000	1
13	TORNILLO TOPE PEDAL	PEDAL STOP SCREW				T0105015	1
14	ARANDELA 8x12x1.5	8x12x1.5 WASHER				BT662102811	2
15	RACOR M8 LATIGUILLO FRENO TRAS (BOMBA)	M8 HOSE FITTING (PUMP)				BT662002811	1
16	CASQUILLO ANTIFRICCION	ANTIFRICTION BUSH				C200101	1
17	ARANDELA	WASHER				T40060120	1
18	ROTULA PEDAL FRENO	BALL JOINT BRAKE PEDAL				BT280222053	1
19	EJE	AXLE				BE25622018	1
20	TUERCA VARILLA FRENO	BRAKE ROD NUT				T2006001	1
21	VARILLA FRENO TRASERO	REAR BRAKE ROD				BT280222062	1
22	REMACHE PUNTERA FRENO	BRAKE RIVET TOE				BE25922018	1
23	MUELLE PUNTERA FRENO	BRAKE SPRING TOE				ME25636029	1
24	PUNERA PEDAL FRENO TRAS RETRACTIL	BRAKE PEDAL TOE				BT27922017	1
25	KIT REPARA PISTON PINZA TRIAL TRAS AUTOPORTANTE	REPAIR KIT AUTOSTAND				BT67560GG-BZJ-1	2
26	JUEGO PASTILLAS FRENO TRASERO (ROJAS GALFER)	REAR BRAKE PADS SET				BT280222068	1
27	SANGRADOR	BLEEDER				BE25622060	1
28	ARANDELA 10x14x1.5	10x14x1.5 WASHER				BT280422007	2
29	TORNILLO PINZA DE FRENO	REAR CALIPER SCREW				R320000	2

Conjunto pedal arranque
/ Kickstar set Rear

GASGAS

TXT RACING 2015

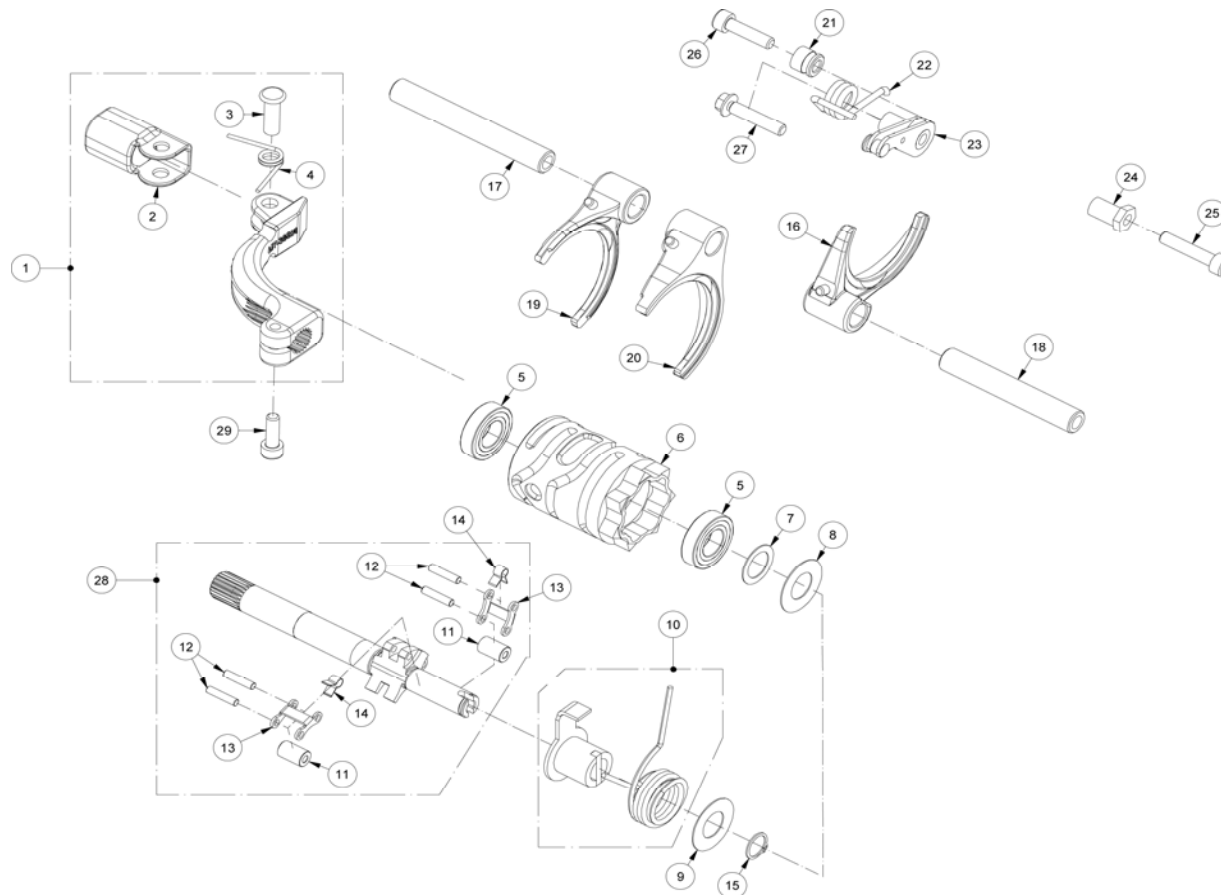


1

Nº	DESCRIPCION	DESCRIPTION				125 / 250 / 280 / 300	Cant.
1	ARANDELA 14X25X0,5 / 14X25X0,5 WASHER	14X25X0,5 WASHER				T4001425	1
2	MUELLE ARRANQUE TRIAL	PEDAL KICKSTART SPRING				MT280226007	1
3	CENTRADOR MUELLE ARRANQUE	KICKSTART SPRING BUSHING				MT280226053	1
4	CIRCLIP EJE 18 MM	AXIS CIRCLIP				MT280226017	2
5	PIÑÓN ARRANQUE TRIAL 2002	KICKSTART GEAR				MT280226002	1
6	EJE ARRANQUE TRIAL	KICKSTARTER SHAFT				MT890102811	1
7	MUELLE FRICCIÓN ARRANQUE	FRICITION KICKSTART SPRING				MT280226006	1
8	CASQUILLO PEDAL ARRANQUE	KICKSTART PEDAL BUSHING				MT280226066	1
9	ARANDELA 18,2X24X0,5	18,2X24X0,5 WASHER				T4001824	1
10	TUERCA PEDAL ARRANQUE	KICKSTART PEDAL NUT				MT89025GG-CBN-1	1
11	TÓRICA NBR 12X1	NBR O'RING				MT280226063	4
12	BOLA MUÑEQUILLA PEDAL	KICKSTART PEDAL BALL				ME250036062	1
13	MUELLE MUÑEQUILLA PEDAL	KICKSTART PEDAL SPRING				ME250036066	1
14	TORNILLO UFK M6X25	M6X25 UFK SCREW				T0316025	1
15	MUÑEQUILLA PEDAL ARRANQUE	KICKSTART PEDAL BASE				MT89015GG-CBN-1	1
16	CASQUILLO SUJECIÓN PEDAL	KICKSTART PEDAL BUSHING				MT280226068	1
17	CTO. PEDAL ARRANQUE	KICKSTART PEDAL KIT				MT89000CT-CBN-1	1
18	ALLEN M6X35	M6X35 ALLEN BOLT				T0306035	1
19	CASQUILLO POSICIONADOR PEDAL EN EJE DE ARRANQUE	POSITIONING BUSH				MT86500GG-CBN-1	1

GASGAS

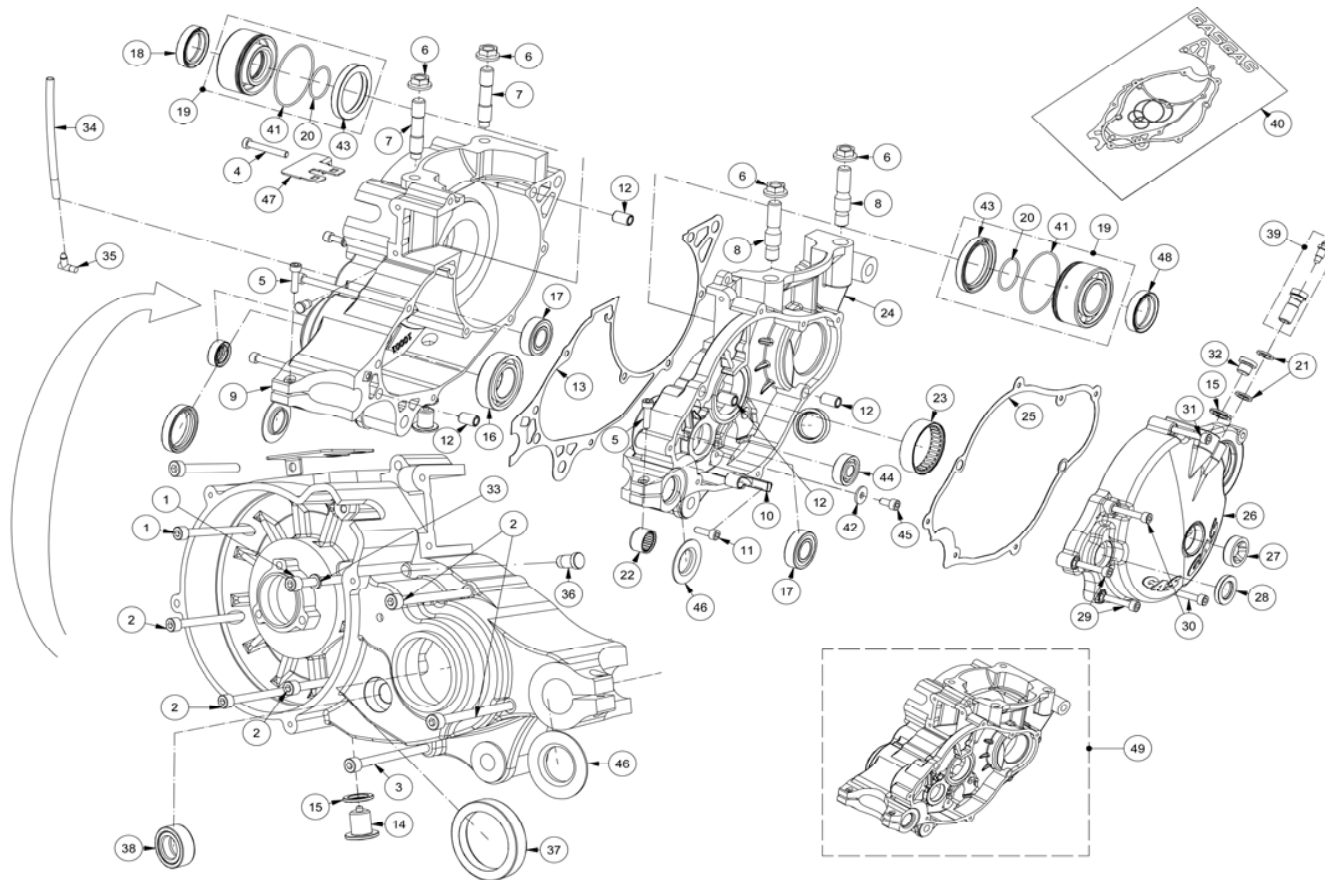
Motor 1



Nº	DESCRIPCION	DESCRIPTION				125 / 250 / 280 / 300	Cant.
1	CTO. PEDAL CAMBIO	GEAR PEDAL KIT				MT280238026	1
2	PUNTERA PEDAL CAMBIO	GEAR PEDAL END				ME25636027	1
3	REMACHE PUNTERA CAMBIO	RIVOT PEDAL END				ME25636030	1
4	MUELLE PUNTERA PEDAL CAMBIO	PEDAL END SPRING				M121000	1
5	COJINETE 12X24X6 2Z DESMO	12X24X6 2Z DESMO BEARING				MT280238032	2
6	DESMODRÓMICO	SHIFT DRUM				MT280238031	1
7	ARANDELA 12,2X18X0,5	12,2X18X0,5 WASHER				T4001218	1
8	ARANDELA 12,2X24X0,5	12,2X24X0,5 WASHER				T4001224	1
9	ARANDELA 10,2X24X0,5	10,2X24X0,5 WASHER				T4011024	2
10	POSICIONADOR Y MUELLE EJE SELECTOR	SHIFT SHAFT CENTER LOCATOR AND SPRING				MT280238037CT	1
11	RODILLO TRINQUETE SELECTOR	RATCHET ROLLER				MT280238040	2
12	AGUJA 3X13,8	3X13,8 NEEDLE				MT280238048	4
13	TRINQUETE SELECTOR	RATCHET ARM SELECTOR				MT280238036	2
14	MUELLE TRINQUETE SELECTOR	RATCHET SEL. SPRING				MT280238039	2
15	CIRCLIP E10 EJE	E10 SHAFT CIRCLIP				M03314011	1
16	HORQUILLA PRIMARIA	SHIFT FORK PRIMARY				MT280238009	1
17	EJE HORQUILLA LARGO	LONG FORK SHAFT				MT280238044	1
18	EJE HORQUILLA CORTO	SHORT FORK SHAFT				MT280238045	1
19	HORQUILLA 2-4-5-6	2-4-5-6 FORK				MT280238007	1
20	HORQUILLA 1-3	1-3 FORK				MT280238008	1
21	TOPE MUELLE FIJADOR	SPRING REST POST				MT280238049	1
22	MUELLE FIJADOR MARCHAS	GEAR SELECTOR SPRING				MT280238034	1
23	FIJADOR MARCHAS	GEAR SELECTOR ARM AND ROLLER				MT280238033	1
24	TOPE MUELLE EJE SELECTOR	SELECTOR SPRING TOP SHAFT				MT280238050	1
25	ALLEN 5X25 DACROMET	5X25 DACROMET ALLEN BOLT				T0305025	1
26	ALLEN 5X20	5X20 ALLEN				T0305020	1
27	HEXAGONAL 5X25 CON ARANDELA	HEXAGONAL BOLT WITH WASHER				BT280010086	1
28	CONJUNTO EJE SELCTOR	SHIFT SHAFT SET				MT280238043	1
29	ALLEN 5X15	5X15 ALLEN				T0305015	1

GASGAS

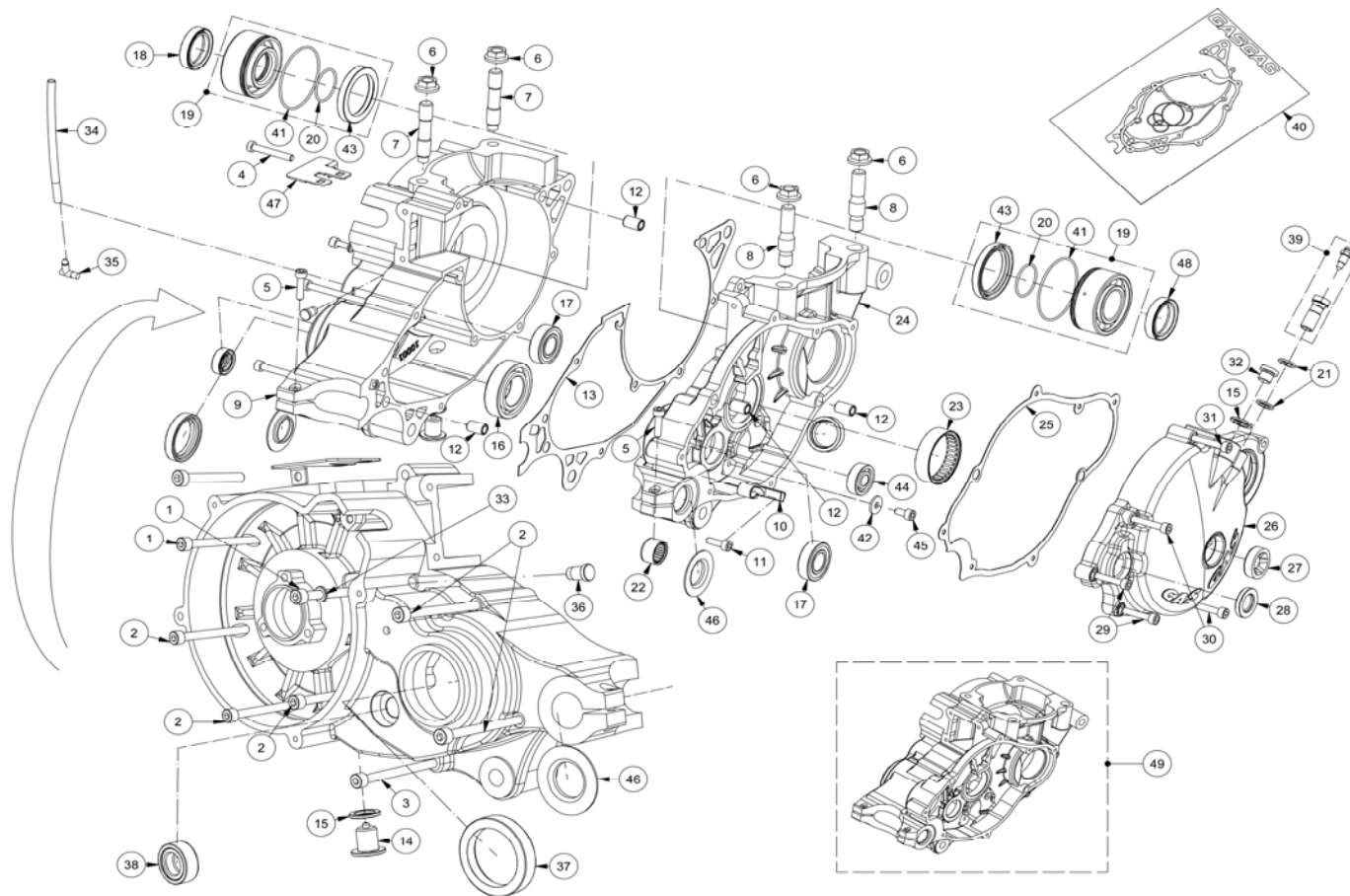
Motor 2



Nº	DESCRIPCION	DESCRIPTION		125	250 / 280 / 300	Cant.
1	ALLEN 5X65 DACROMET	5X65 DACROMET ALLEN BOLT		T0305065	T0305065	2
2	ALLEN 5X55 DACROMET	5X55 DACROMET ALLEN BOLT		T0305055	T0305055	5
3	ALLEN 5X75 DACROMET	5X75 DACROMET ALLEN BOLT		T0305075	T0305075	1
4	ALLEN 5X35 DACROMET	5X35 DACROMET ALLEN BOLT		T0305035	T0305035	1
5	ALLEN 5X20 DACROMET	5X20 DACROMET ALLEN BOLT		T0305020	T0305020	2
6	TUERCA CILINDRO 8.8 ESP	CYLINDER NUT		M01613001	M01613001	4
7	ESPÁRRAGO CILINDRO	BASE STUD CYLINDER LEFT		MT280216023	MT280216023	2
8	ESPÁRRAGO CON CENTRAJE	BASE STUD CYLINDER RIGHT		MT280216056	MT280216056	2
9	CÁRTER IZQUIERDO TRIAL	LEFT CRANKCASE HALF		MT11000GG-CHA-1	MT11000GG-CBN-1	1
10	TOPE ARRANQUE TRIAL	STOP KICKSTART PEDAL		MT280226011	MT280226011	1
11	ALLEN 5X15 DACROMET	5X15 DACROMET ALLEN BOLT		T0305015	T0305015	1
12	CASQUILLO CENTRADOR CÁRTER 6X9X14	CRANKCASE BUSHING		M01017000	M01017000	4
13	JUNTA CÁRTER CENTRAL 0.2 MM	CENTER CRANKCASE GASKET		MT280344001	MT280344001	1
14	TAPÓN VACIADO ACEITE CON IMÁN	MAGNETIC OIL DRAIN PLUG		ME25610017	ME25610017	1
15	ARANDELA TIPO BUJÍA 12X18X2	WASHER		MT280410030	MT280410030	2
16	COJINETE 25X47X12 / 25X47X12	BEARING		MT280236159	MT280236159	1
17	COJINETE 15X32X9 6002 2RSL CAMBIO	GEAR BEARING		MT280236160	MT280236160	2
18	RETÉN 25X35X7 TEFLÓN CIGUEÑAL IZQUIERDO	OIL SEAL CRANK SHAFT		MT280212009	MT280212009	1
19	COJINETE CIGUEÑAL ST5225	ST5225 CRANKSHAFT BEARING		MT31010GG-CHA-1	MT31000CT2811	2
20	TÓRICA 25X1.5 NBR	O'RING 25X1.5 NBR		----	MT280512025	2
21	ARANDELA AM 10X14X1.5	10X14X1.5 WASHER		BT280422007	BT280422007	2
22	COJINETE BK1412 ARRANQUE TRIAL	KICKSTART BEARING		MT280226067	MT280226067	1
23	COJINETE 35X45X12 NQ (EJE PRIMARIO)	35X45X12 BEARING		MT280236158	MT280236158	1
24	CÁRTER DERECHO TRIAL	RIGHT CRANKCASE		MT10000GG-CHA-1	MT10000GG-CBN-1	1
25	JUNTA TAPA EMBRAGUE	CLUTCH COVER GASKET		MT280244002	MT280244002	1
26	TAPA EMBRAGUE MG TRIAL	CLUTCH COVER		MT65000CT-CHA-1	MT65000CT-CBN-1	1
27	VISOR NIVEL ACEITE EC400-4T	OIL LEVEL SIGHT GLASS		MFS400110015	MFS400110015	1
28	RETÉN 18-24-4 TRIAL 2002	18-24-4 4 KICKSTART SHAFT SEAL		MT280226016	MT280226016	1
29	ALLEN 5X25 DACROMET	5X25 DACROMET ALLEN BOLT		T0305025	T0305025	2
30	ALLEN 5X30 DACROMET	5X30 DACROMET ALLEN BOLT		T0305030	T0305030	2
31	ALLEN 5X40 DACROMET	5X40 DACROMET ALLEN BOLT		T0305040	T0305040	1
32	TAPÓN LLENADO ACEITE	OIL FILL PLUG		M01016002	M01016002	1
33	ARANDELA 5X9X1.5 COBRE	5X9X1.5 WASHER		T4000509	T4000509	1

GASGAS

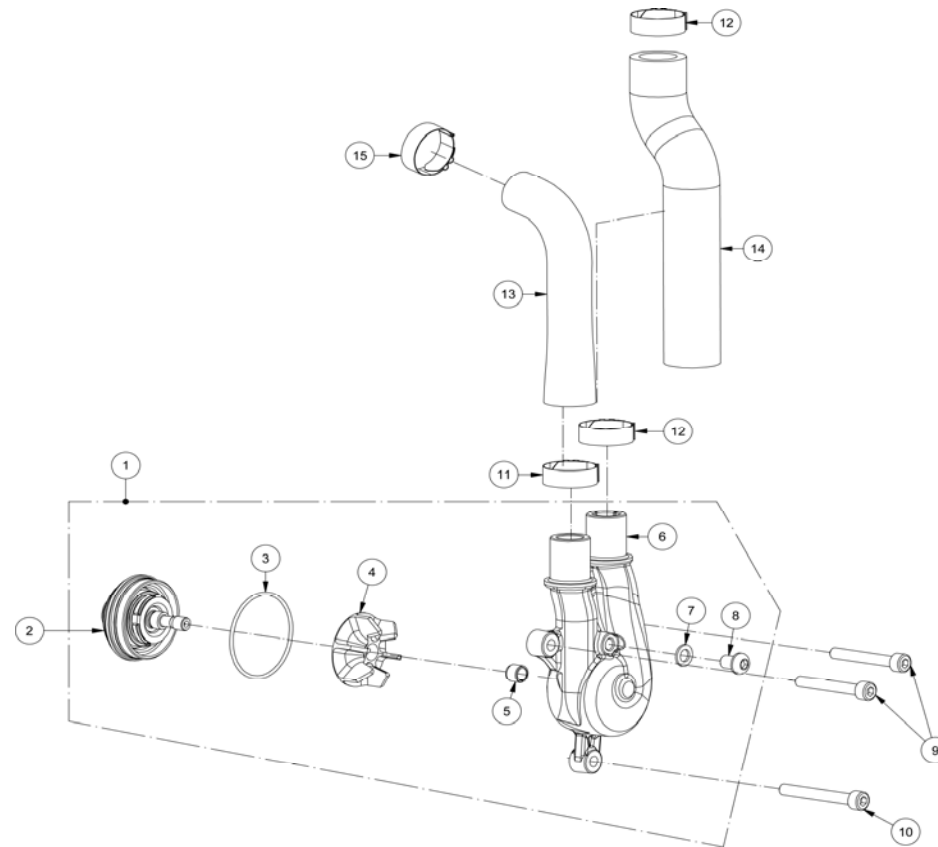
Motor 3



Nº	DESCRIPCION	DESCRIPTION			125	250 / 280 / 300	Cant.
34	TUBO DESVAPORIZADOR	FUEL VENT HOSE			MT280210012	MT280210012	1
35	DESVAPORIZADOR	FUEL VENT			MIT50010012	MIT50010012	1
36	TAPÓN PASO ACEITE CÁRTER	OIL CARTER PLUG			MT280210021	MT280210021	1
37	RETÉN 30X40X7	30X40X7 SEAL			ME25636024	ME25636024	1
38	RETÉN EJE SELECTOR	RETÉN EJE SELECTOR / AXLE SEAL			MT280236048	MT280236048	1
39	RACORD PINZA EMBRAGUE HIDRÁULICO	HIDRAULIC CLUTCH RACORD			BT280522106	BT280522106	1
40	KIT JUNTAS	GASKET SET			MT280244100	MT280244100	1
41	TÓRICA COJINETE CIGU. 49X1.5 NBR	O'RING 49X1.5 NBR			----	MT280512028	2
42	ARANDELA PLANA 5x15x1,5	5x15x1,5 WASHER			T4005015	T4005015	1
43	RETEN CIGÜEÑAL	CRANK SHAFT SEAL			----	MT280412006/1	2
44	RODA.EJE CENTRI.Y BOMBA 608.Z.C3	BEARING 608.Z.C3			ME25610010	ME25610010	1
45	ALLEN 5x12	5x12 ALLEN SCREW			T0305012	T0305012	1
46	ARANDELA BASCULANTE	SWINARM WASHER			BT280212007	BT280212007	2
47	SOPORTE CONECTORES ENCENDIDO	SUPPORT IGNITION CONNECTORS			ET75050GG-CBN-1	ET75050GG-CBN-1	1
48	RETEN CIGÜEÑAL	CRANK SHAFT SEAL			MT31020GG-CHA-1	----	1
49	KIT CARTERS	CRANKCASES SET			MT10000CT-CHA-1	MT10000CT-CBN-1	1

GASGAS

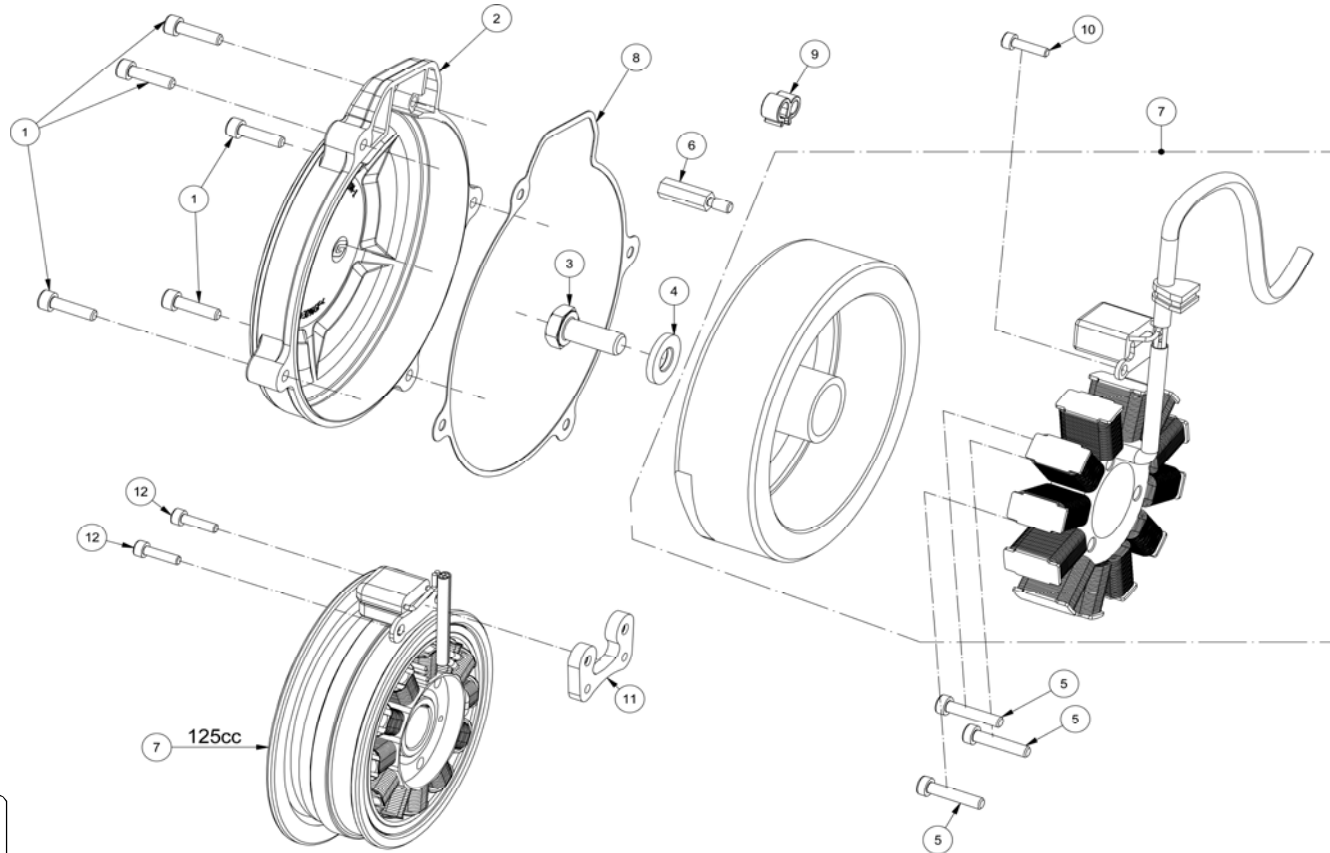
Motor 4



Nº	DESCRIPCION	DESCRIPTION			125	250 / 280 / 300	Cant.
1	CONJUNTO BOMBA DE AGUA	WATER PUMP KIT			MT55000CT-CGI-1	MT55000CT-CGI-1	1
2	CTO. INTERIOR BOMBA DE AGUA	WATER PUMP INNER ASSY			MT57000CT-CGI-1	MT57000CT-CGI-1	1
3	TÓRICA 37X1.5 TAPA BOMBA AGUA	O'RING WATER PUMP COVER			MT280218008	MT280218008	1
4	TURBINA BOMBA DE AGUA	WATER PUMP TURBINE			MT56000GG-CGI-1	MT56000GG-CGI-1	1
5	RODAMIENTO DE FRICCION Ø6 x Ø8 x 6	FRICITION BEARING Ø6 x Ø8 x 6			MT57035GG-CGI-1	MT57035GG-CGI-1	1
6	BOMBA DE AGUA CUERPO SUPERIOR	WATER PUMP UPPER BODY			MT55000GG-CGI-1	MT55000GG-CGI-1	1
7	ARANDELA Ø6 x Ø10 x 1.5	WASHER Ø6 x Ø10 x 1.5			T4006008	T4006008	1
8	TORNILLO ULS M6x8	BOLT ULS M6x8			T0506008i	T0506008i	1
9	ALLEN M5X20 ZINCADO NEGRO	M5x20 ALLEN SCREW BLACK ZINC			T0305040	T0305035	2
10	TORNILLO ALLEN	ALLEN SCREW			T0305045	T0305040	1
11	ABRAZADERA 20	CLAMP Ø20			L200035	L200035	1
12	ABRAZADERA COBRA 21	Ø21 COBRA CLAMP			L200046	L200046	2
13	TUBO BOMBA – CILINDRO	PUMP TO CILINDER PIPE			BT280232017	BT280232017	1
14	MANGUITO INFERIOR (RADIADOR --> BOMBA)	LOWER PIPE (RADIATOR-PUMP)			BT71000GG-CGI-1	BT71000GG-CGI-1	1
15	ABRAZADERA COBRA 19	COBRA CLAMP Ø19			L200043	L200043	1

GASGAS

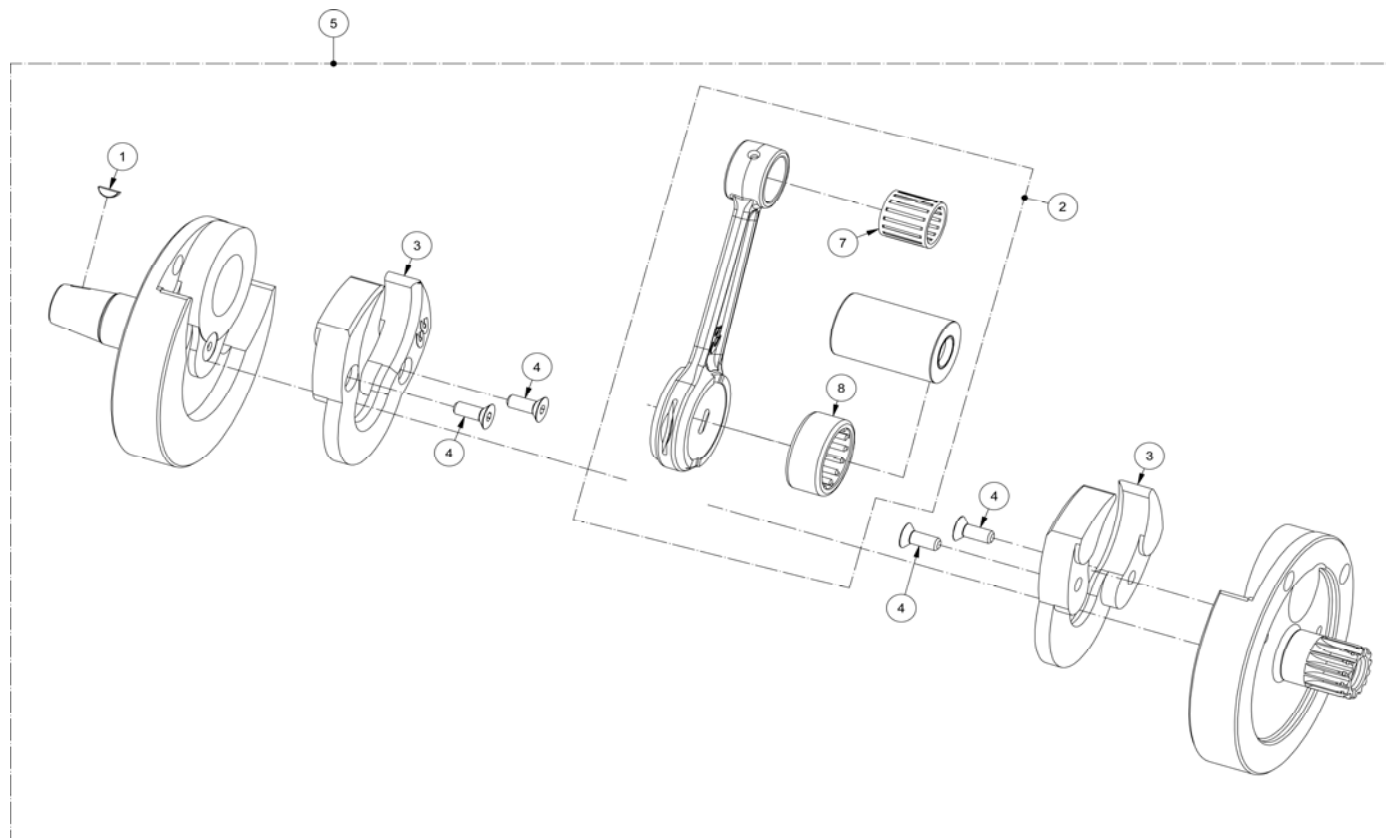
Motor 5



Nº	DESCRIPCION	DESCRIPTION			125	250 / 280 / 300	Cant.
1	ALLEN 5X20	5X20 ALLEN BOLT			T0305020N	T0305020N	5
2	TAPA ENCENDIDO	COVER FLY-WHEEL			MT60000GG-CBN-1	MT60000GG-CBN-1	1
3	TORNILLO M10X25	M10X25 SCREW			T0101025/2	T0101025/2	1
4	ARANDELA 10X23X4	10X23X4 WASHER			T4001024	T4001024	1
5	ALLEN UFK NEGRO 5X25	UFK 5X25 BLACK ALLEN BOLT			T0315025N	T0315025N	3
6	TORNILLO PICK UP TRIAL 2003	PICK UP TRIAL 2003 SCREW			ET70220GG-CBN-1	ET70220GG-CBN-1	1
7	CTO. ENCENDIDO	IGNITION SET			ET70000CT-CGC-1	ET70000CT-CGI-1	1
8	JUNTA TAPA VOLANTE ENCENDIDO	COVER FLY WHEEL GASKET			MT280344004	MT280344004	1
9	GRAPA SUJECCION CABLE	GRAPA SUJECCION CABLE			EE650202508	EE650202508	1
10	TORNILLO ALLEN	ALLEN SCREW			T0305012	T0305012	1
11	SOPORTE PICKUP HIDRIA (80 - 125)	PICK UP SUPPORT (HIDRIA 80-125)			MT70215GG-CGC-1	-----	1
12	TORNILLO ALLEN	ALLEN SCREW			T0305012	-----	2

GASGAS

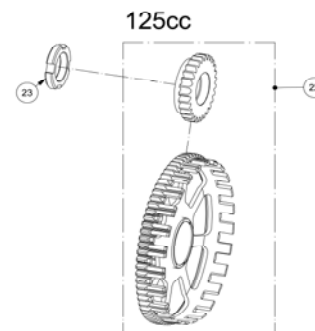
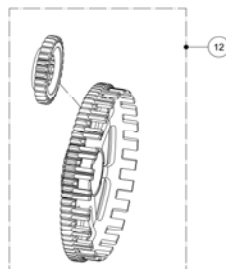
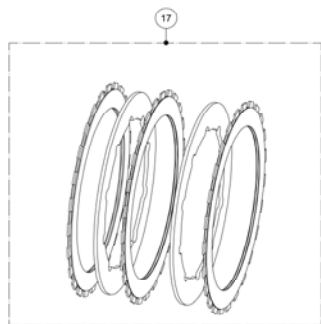
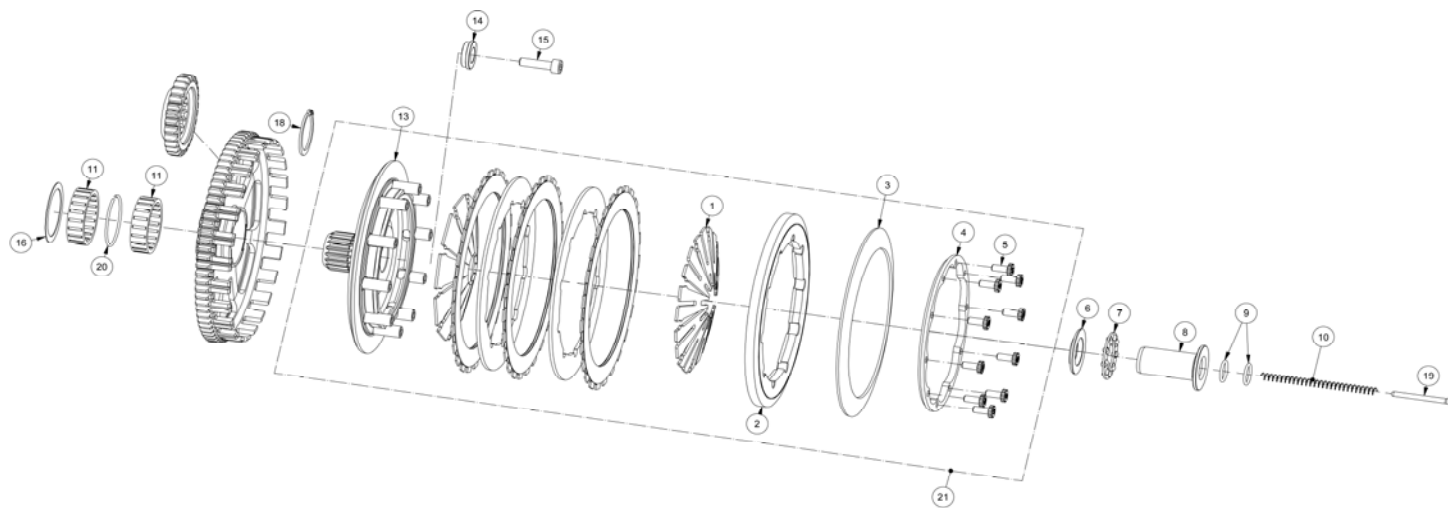
Motor 6



Nº	DESCRIPCION	DESCRIPTION			125	250 / 280 / 300	Cant.
1	CHAVETA D10X3X3.7 TRIAL 2002	D10X3X3.7 KEY			MT280234016	MT280234016	1
2	CONJUNTO BIELA TRIAL	TRIAL CONNECTING ROD SET			MT32000CT-CHA-1	MT280212100	1
3	NYLON CONTRAPESO	CONTERWEIGHT NYLON			MT37000GG-CHA-1	MT280212021	2
4	ALLEN CÓNICO UN15933 M6X16	ALLEN BOLT			T0406016	T0406016	4
5	CTO. CIGÜEÑAL TRIAL SXXI	CRANK SHAFT ASSEMBLY COMPLETE			MT30000CT-CHA-1	MT280212000	1
7	COJINETE PIE DE BIELA	NEEDLES BEARING			M01411001	ME25616035	1
8	COJINETE CABEZA DE BIELA	NEEDLES BEARING			M01415001	MT32050GG- AIZ -1	1

GASGAS

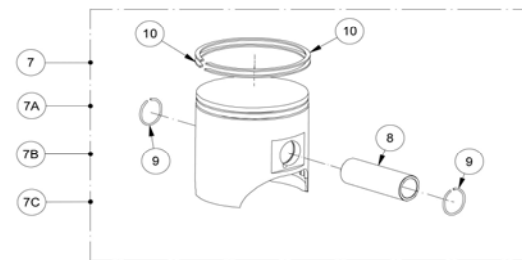
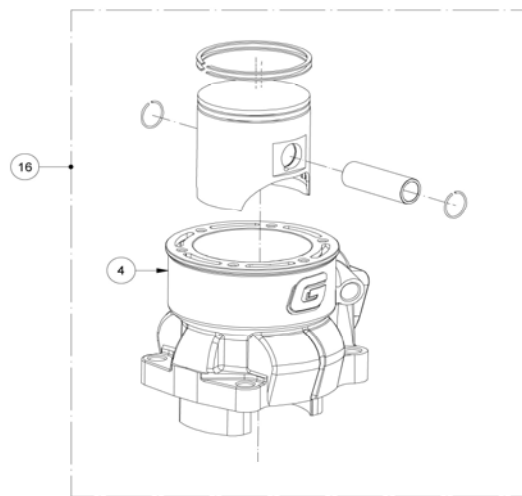
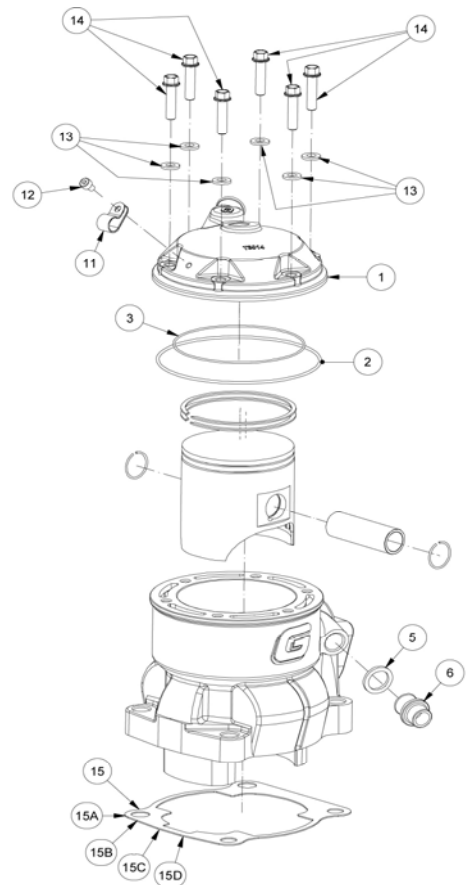
Motor 7



Nº	DESCRIPCION	DESCRIPTION		125	250 / 280 / 300	Cant.
1	DESMULTIPLICADOR EMBRAGUE TRIAL	CLUTCH RELEASE ARM		MT280632070	MT280632070	10
2	PRENSA EMBRAGUE	PRESSURE PLATE		MT280632006	MT280632006	1
3	MUELLE EMBRAGUE TRIAL	CLUTCH SPRING		MT280632015	MT280632015	1
4	SOPORTE MUELLE EMBRAGUE	CLUTCH SPRING SUPPORT PLATE		MT120632045	MT120632045	1
5	ULS ESPECIAL PRENSA 4X10	PRESSURE PLATE ULS BOLT		MT280332077	MT280332077	10
6	BOLET EMBRAGUE TRIAL 2003	BEARING PLATE		MT280332014	MT280332014	1
7	COJINETE PRENSA EMBRAGUE AXK 17X30X2	BEARING, CLUTCH END PLATE		MT280232043	MT280232043	1
8	PISTÓN BOMBIN EMBRAGUE TRIAL 2003	CLUTCH PUMP PISTON		MT280332040	MT280332040	1
9	TÓRICA FKM	FKM O'RING		MT280432047	MT280432047	2
10	MUELLE PISTÓN EMBRAGUE	CLUTCH PISTON SPRING		MT280332018	MT280332018	1
11	COJINETE G95 CORONA EMBRAGUE	CLUTCH BEARING		MT280432039	MT280432039	2
12	CTO. CORONA EMBRAGUE Y PIÑÓN	CROWN CLUTCH AND GEAR SET		-----	MT280232003CT	1
13	CUBO EMBRAGUE	CLUTCH HUB		MT280632005CT	MT280632005CT	1
14	CASQUILLO SUJECCIÓN EMBRAGUE	CLUTCH HUB BUSHING		MT280232080	MT280232080	1
15	ALLEN UFK 5X20 SUJECCIÓN CUBO TRIAL 280	CLUTCH HUB BOLT		MT280232081	MT280232081	1
16	ARANDELA 30.2X38X0.5 EMBRAGUE	CLUTCH WASHER		T4003038	T4003038	1
17	CTO. DISCOS EMBRAGUE TRIAL 2004	2004 CLUTCH DISC SET COMPLETE		MT280432055	MT280432055	1
18	CIRCLIP E25 CIGÜEÑAL	CRANKSHAFT E25 CIRCLIP		ME25936084	ME25936084	1
19	GUÍA MUELLE PISTÓN	PISTON SPRING GUIDE		MT280432065	MT280432065	1
20	CIRCLIP CORONA EMBRAGUE	CLUTCH CIRCLIP		MT280432139	MT280432139	1
21	CTO. EMBRAGUE TRIAL PRO (HAMBURGUESA)	CLUTCH SET		MT280732069	MT280732069	1
22	CTO. CORONA EMBRAGUE Y PIÑÓN	CROWN CLUTCH AND GEAR SET		MT21000CT-CHA-1	-----	1
23	TUERCA FIJA PIÑÓN	GEAR NUT		MT42095GG-CHA-1	-----	1

GASGAS

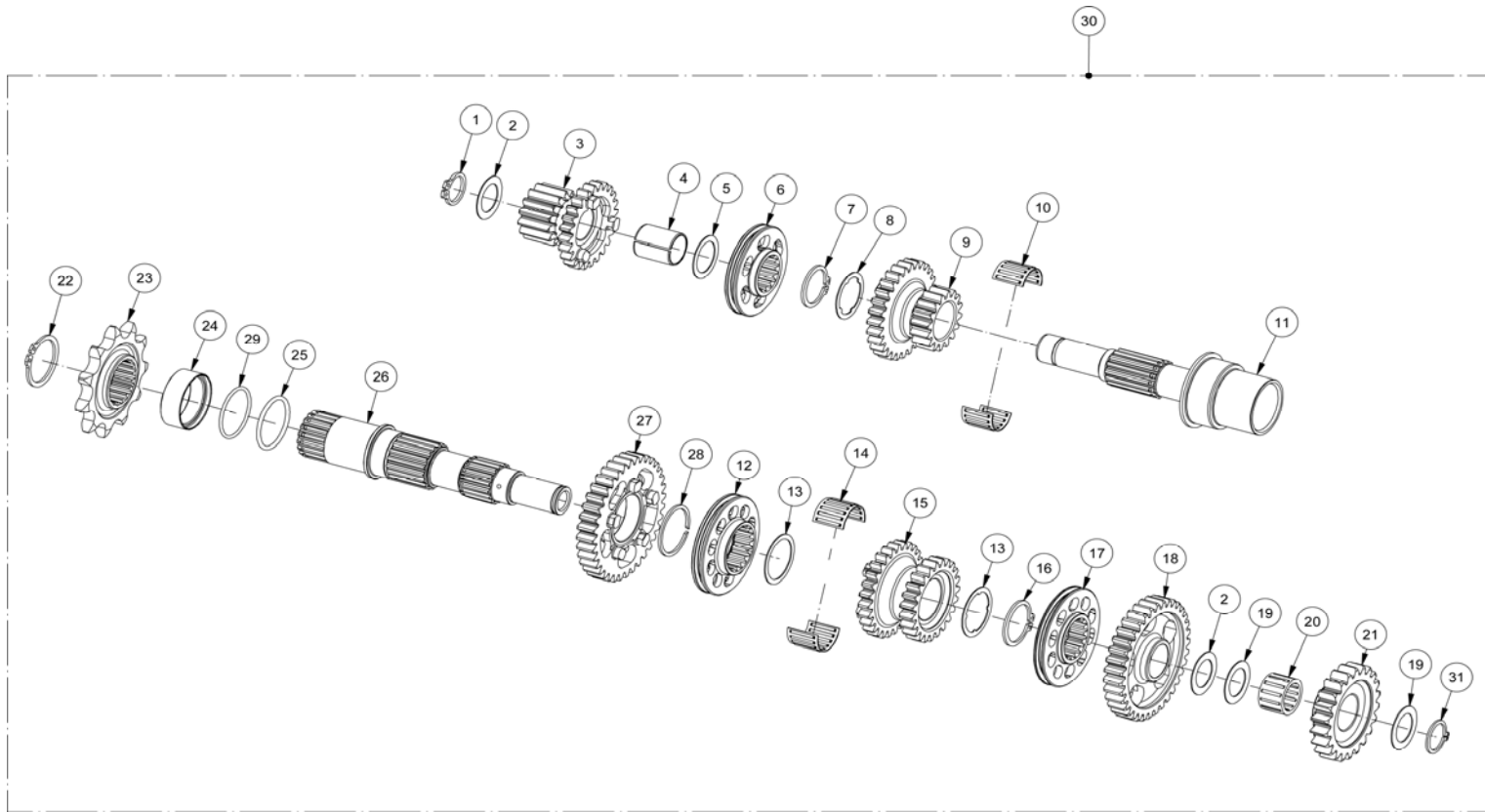
Motor 8



Nº	DESCRIPCION	DESCRIPTION	125	250	280	300	Cant.
1	CULATA TRIAL	CYLINDER HEAD	MT75000CT-CGC-1	MT75000CT-CAO-1	MT75000CT-CAQ-1	MT75000CT-CAS-1	1
2	TÓRICA CULATA EXTERIOR	O'RING CYL. EXTERIOR	ME120116060	M01619135	M01619135	M01619135	1
3	TÓRICA CULATA INTERIOR	O'RING CYL. INTERIOR	ME120116065	M01619215	M01619215	M01619215	1
4	CILINDRO TRIAL	CYLINDER	MT70000CT-CGC-1	MT70000CT-CGF-1	MT70000CT-CGH-1	MT70000CT-CGJ-1	1
5	ARANDELA PLANA FIBRA	FIBER WASHER	M01612026	M01612026	M01612026	M01612026	1
6	RACORD CILINDRO	CYLINDER WATER HOSE NECK	MT280210013	MT280210013	MT280210013	MT280210013	1
7	PISTÓN TRIAL	PISTON TRIAL	MT120216020	MT250516020	MT71000CT2808	MT710003010	1
7A	PISTÓN LETRA B	PISTON B	MT120216121	MT250516121	MT71001CT2808	MT710013010	1
7B	PISTÓN LETRA C	PISTON C	MT120216122	MT250216122	MT280216122	MT300316122	1
7C	PISTÓN LETRA D	PISTON D	MT120216123		MT280216123	MT300316123	1
8	BULÓN PISTÓN	PISTON PIN	MT120216125		MT280216125	MT280216125	1
9	CIRCLIP PISTÓN	CLIP PISTON	ME25616126		MT280216126	MT280216126	2
10	AROS PISTÓN	PISTON RING	MT120216020		MT710012808	MT710203010	2
11	GRAPA SUJECCION CABLES	WIRE SUPPORT	ET750502809	ET750502809	ET750502809	ET750502809	1
12	ALLEN 4X6 ZINCADO	M4X6 ALLEN	T0304006	T0304006	T0304006	T0304006	1
13	ARANDELA COBRE 6X12X1.5	6X12X1.5 WASHER	T4006713	T4006713	T4006713	T4006713	6
14	TORNILLO EXAGONAL CON ARANDELA M6x25 FIJA CULATA A CILINDRO	M6X25 EXAGONAL SCREW WITH WASHER	T0206025	T0206025	T0206025	T0206025	6
15	JUNTA CILINDRO 0,8 mm.	0,8 mm. GASKET CYLINDER BASE	MT70050GG-CHA1		MT280244000	-	1
15A	JUNTA CILINDRO 0,3 mm.	0,3 mm GASKET CYLINDER BASE			MT208224009	-	1
15B	JUNTA CILINDRO 1 mm.	1 mm. GASKET CYLINDER BASE			MT280244010	-	1
15C	JUNTA CILINDRO 0,5 mm.	0,5 mm. GASKET CYLINDER BASE			MT942002810	MT942002810	1
15D	JUNTA CILINDRO 0,15 mm.	0,15 mm. GASKET CYLINDER BASE			MT280244015	-	1
16	CTO. CILINDRO Y PISTON	SET CYLINDER AND PISTON	MT70000CT-CGC-1	MT70000CT-CGF-1	MT70000CT-CGH-1	MT70000CT-CGJ-1	1

GASGAS

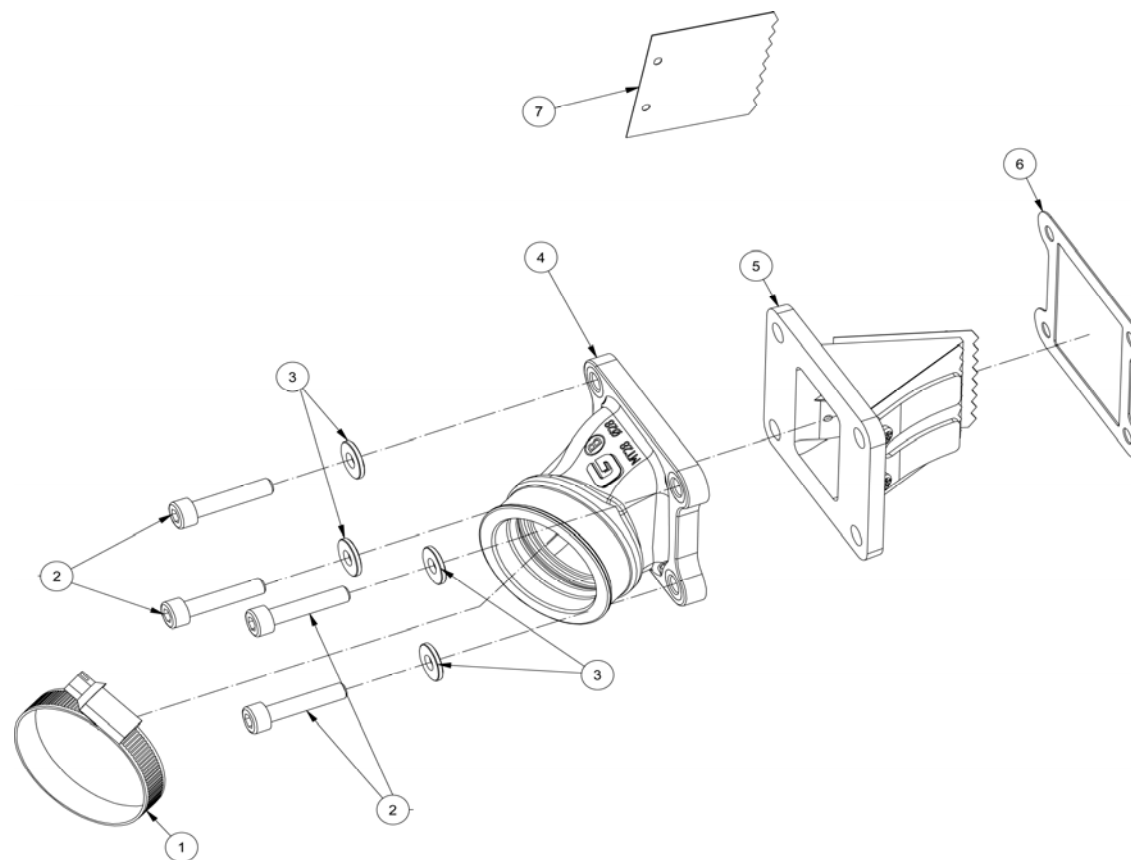
Motor 9



Nº	DESCRIPCION	DESCRIPTION			125	250 / 280 / 300	Cant.
1	CIRCLIP E15 DIN471	E15 CIRCLIP			MT280236163	MT280236163	2
2	ARANDELA 15,2X23X0,5	15,2X23X0,5 WASHER			T4001523	T4001523	1
3	PIÑÓN 2	GEAR 2			MT280236071	MT280236071	1
4	COJINETE FRICCION 15x17x20 EJE PRIMARIO	15x17x20 BEARING			MT280236164	MT280236164	1
5	ARANDELA 17X23X0,5	17X23X0,5 WASHER			T4001723	T4001723	1
6	DESPLAZABLE PRIMARIO	PRIMARY SELECTOR DISC			MT280236073	MT280236073	1
7	CIRCLIP E20 DIN 471 REBAJADO	E20 CIRCLIP			MT280236165	MT280236165	1
8	ARANDELA 20X25X0,5	20X25X0,5 WASHER			T4002025	T4002025	1
9	PIÑÓN 3	GEAR 3			MT280236072	MT280236072	1
10	JAULA AGUJAS	NEEDLE BEARING			MT280236162	MT280236162	2
11	EJE PRIMARIO	PRIMARY SHAFT			MT280236070	MT280236070	1
12	DESPLAZABLE 2 SECUNDARIO	SECONDARY SELECTOR DISC			MT280236080	MT280236080	1
13	ARANDELA 22X27X0,5	22X27X0,5 WASHER			T4002227	T4002227	2
14	JAULA AGUJAS	NEEDLE BEARING			MT280236161	MT280236161	2
15	PIÑÓN 5	GEAR 5			MT280236078	MT280236078	1
16	CIRCLIP E22 DIN471	E22 CIRCLIP			MT280236166	MT280236166	1
17	DESPLAZABLE 3 SECUNDARIO	SECONDARY SELECTOR DISC			MT280236079	MT280236079	1
18	PIÑÓN 3 SECUNDARIO	SECONDARY 3 GEAR			MT280236076	MT280236076	1
19	ARANDELA	WASHER			M02622001	M02622001	2
20	JAULA AGUJAS	NEEDLE BEARING			MT280226015	MT280226015	1
21	PIÑÓN INTERMEDIO Y TOPE ARRANQUE	KIT GEAR AND STOP KICK START PEDAL			MT880002810	MT880002810	1
22	CIRCLIP E25	E25 CIRCLIP			ME25936084	ME25936084	1
23	PIÑÓN CADENA SALIDA	SPROCKET, COUNTERSHAFT z.11			MT280236525	MT280236525	1
23B	PIÑÓN CADENA SALIDA	PROCKET, COUNTERSHAFT z.09			MT120236525	-----	1
23C	PIÑÓN CADENA SALIDA	SPROCKET, COUNTERSHAFT z.10			MT200236525	MT200236525	1
23D	PIÑÓN CADENA SALIDA	SPROCKET, COUNTERSHAFT Z12			MT280236526	MT280236526	1
24	CASQUILLO RETÉN SALIDA CAMBIO	SHIFT SEAL BUSHING			MT280236046	MT280236046	1
25	TÓRICA 25X2 NBR	NBR 25X2 O'RING			ME25632025	ME25632025	1
26	EJE SECUNDARIO	SECONDARY SHAFT			MT280236075	MT280236075	1
27	PIÑÓN 2 SECUNDARIO	SECONDARY 2 GEAR			MT280236077	MT280236077	1
28	CIRCLIP SW25	SW25 CIRCLIP			MT280236167	MT280236167	1
29	TÓRICA 25X1,5 NBR	25X1,5 O'RING			MT280212025	MT280212025	1
30	CTO. CAMBIO TRIAL	TRANSMISSION COMPLETE			MT280236010	MT280236010	1
31	CLIP DE 15MM PIÑÓN INT. ARRANQUE	15MM. CIRCLIP			M02623000	M02623000	1

GASGAS

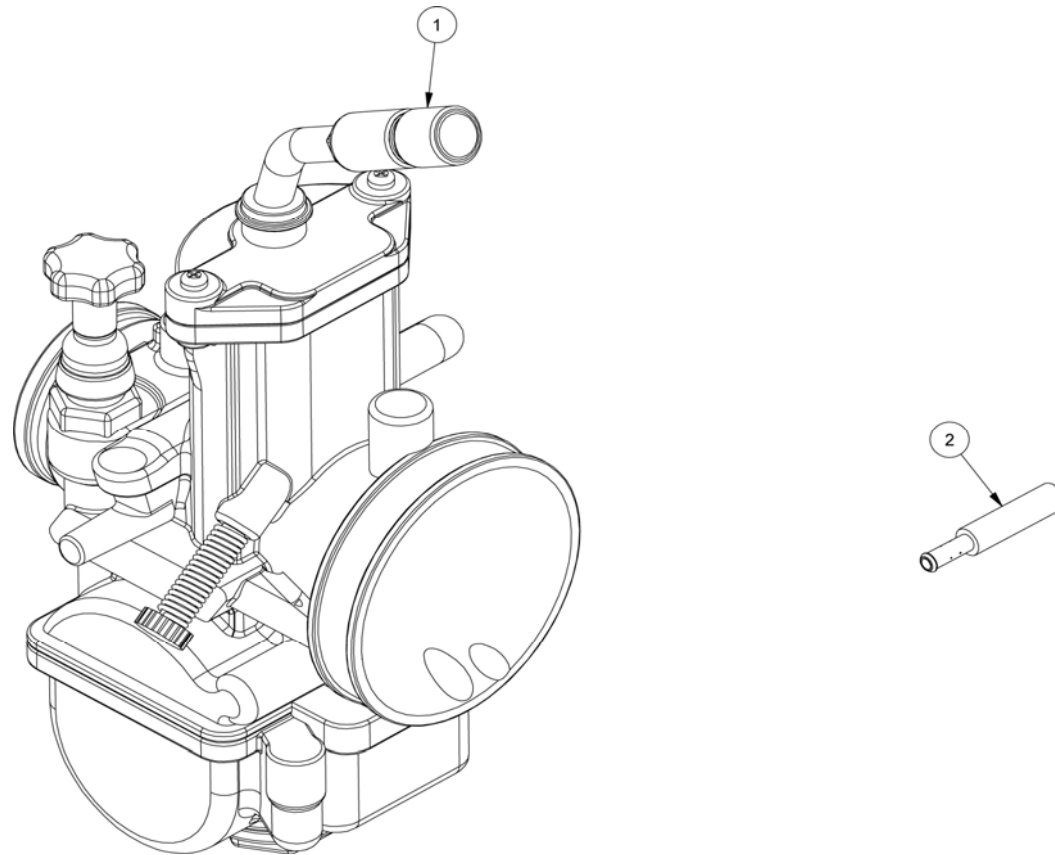
Motor 10



Nº	DESCRIPCION	DESCRIPTION				125 / 250 / 280 / 300	Cant.
1	ABRAZADERA S/44/9 W1	S/44/9 W1 CLAMP				BT280328038	1
2	TORNILLO ALLEN M5X20 DACROMET CEX	M5X20 DACROMET ALLEN SCREW				T0305020	4
3	ARANDELA 5X12X1,5	5X12X1,5 WASHER				T4005012	4
4	TUBERA ADMISION	INTAKE MANIFOLD				MT26000CT-CGI-1	1
5	CAJA LAMINAS TRIAL	REED VALVE				M01617200	1
6	JUNTA CAJA LAMINAS (CARTER)	REED VALVE GASKET (CRANKCASE)				MT280244005	1
7	LAMINA	REED PETAL				M01616000	1

GASGAS

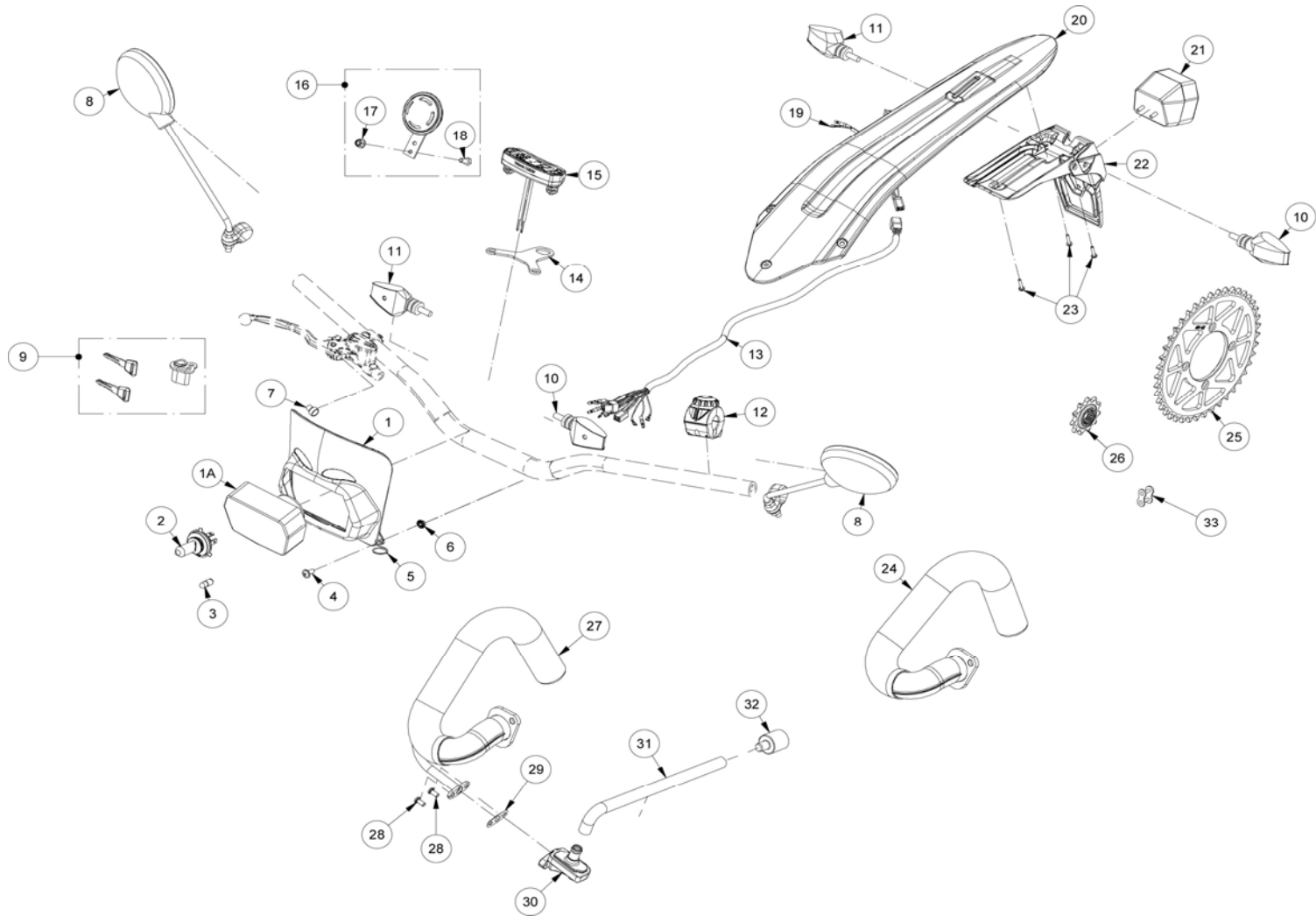
Motor 11



Nº	DESCRIPCION	DESCRIPTION			125	250 / 280 / 300	Cant.
1	CARBURADOR KEIHIN PWK28	KEIHIN PWK28 CARBURETOR			MT280390000RA	MT280390000RA	1
2	CHICLE RALENTI 52 (N424-21052)	52 IDLE JET (N424-21052)			ME200390052	-----	1

GASGAS

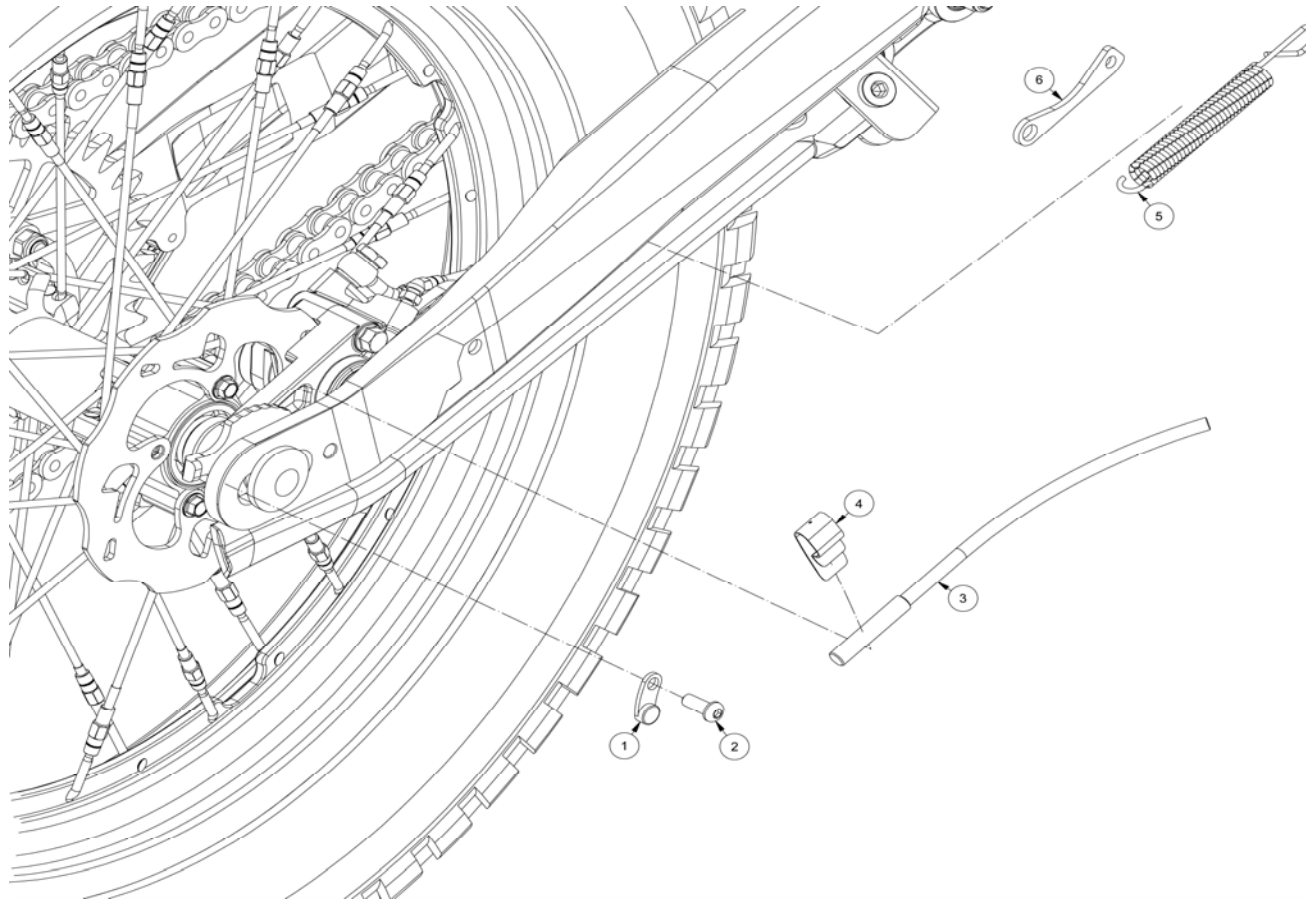
Motor 12



Nº	DESCRIPCION	DESCRIPTION		125	250 / 280 / 300	Cant.
1	PLASTICO FARO HOMOLOGADO	HOMOLOGATED HEADLIGHT			BT90500GG-BKP-1	1
1A	OPTICA FARO HOMOL.310.06	HOMOLOGATED OPTIC HEADLAMP			BT280120022	1
2	BOMBILLA 12V 35W/35 (1221)	12V 35W/35 LAMP			L300122	1
3	LÁMPARA 12V15W CASQUETE	12V15W LAMP			L300115	1
4	ULS M6x14 CON ARANDELA	M6X14 ULS SCREW WITH WASHER			T0556014	1
5	ANILLA GUIA LATIGUILLO FRENO DELANTERO	RING FRONT BRAKE HOSE			BT611153013	1
6	TUERCA AUTOBLOCANTE BAJA M6 (DIN985)	M6 NUT			T0556014	1
7	CASQUILLO PULSADOR FRENO DELANTERO	PUSH BUTTON BUSHING			BT613043013	1
8	RETROVISOR	REAR MIRROR			L300760	2
9	CTO. CARCASA CLAUSOR TRIAL 2002	CTO. CARCASA CLAUSOR TRIAL 2002			BT280210071C	1
10	INTERMITENTE IZQ. 2006 ref.911107	LEFT INDICATOR			BT280634019/2	2
11	INTERMITENTE DRCH. 2006 ref.911106	RIGHT INDICATOR			BT280634018/2	2
12	CONMUTADOR LUCES HOMOLOGADO ENDURO 2T (CONTINUA)	HOMOLOGATED LIGHT SWITCH			EE60200GG-CAB-1	1
13	INSTALACION ELEC.TRIAL HOMOLOGADA REPLICA 2014	HOMOLOGATED ELECTRICAL INSTALLATION			ET10000GG-CGA-1	1
14	SOPORTE MULTIFUNCION TRIAL 2015	MUTIFUNCTION SUPPORT			BT22265GG-CBN-1	1
15	MULTIFUNCION TRIAL 2015 - RANDONNE 2014	TRIAL 2015 - RANDONNE 2014 MULTIFUNCTION			ET60000CT-CDA-1	1
16	CTO.CLAXON (PARA CONTINUA)	HORN SET			EFS204004508	1
17	TUERCA AUTOBLOCANTE BAJA M6 (DIN985)	M6 NUT			T2106001	1
18	ULS 6X10 C/ARANDELA PLATA	ULS 6X10 BOLT			T0556010	1
19	INST.ALARGO PILOTO TRASERO TRIAL PRO HOMOL.2006	EXTENDED ELEC. INSTALLATION REAR LIGHT			BT280634016	1
20	GUARDABARROS TRAS.HOMOL.TXT RAGA 2010 (BLANCO)	HOMOLOGATED REAR MUDGUARD			BT93500HRA3010	1
21	FARO PILOTO PP 250-97 277.10	REAR LIGHT			BP25734015	1
22	PORTAMATRICULAS TRIAL 2011	NUMBER PLATE SUPPORT			BT93900RA3011	1
23	TORNILLO ROSCA CHAPA 4.2X13 ZINCADO CH88	4.2X13 SCREW			T0654213	3
24	CTO.CURVA ESCAPE TXT HOMOL	HOMOLOGATED EXHAUST		-----	BT860003013CT	1
25	CORONA COLOR TITANIO Z42 TRIAL RACING 2013	Z42 REAR SPROCKET TITANIUM COLOUR		BT573003013	-----	1
26	PIÑON SALIDA Z11 TRIAL SXXI(50-32136-11)	Z11 FRONT SPROCKET		MT280236525	-----	1
27	CURVA ESCAPE TRIAL PRO HOMOL	HOMOLOGATED EXHAUST		BT280626001H	-----	1
28	ULS M6x12	M6x12 ULS SCREW		T0506012	-----	2
29	JUNTA VALVULA AIRE SECUNDARIO TRIAL 2006	SECONDARY AIR VALVE GASKET		BT280626065	-----	1
30	VALVULA AIS 14GH-01AI-00 TRIAL 07 CEX	AIS VALVE		BT280626060	-----	1
31	TUBO AIRE SECUNDARIO DE VALVULA A FILTRO CEX	AIR SECONDARY HOSE		BT280626062	-----	1
32	FILTRO AIRE SECUNDARIO TRIAL PRO 2006 CEX	SECONDARY AIR FILTER		BT280626059	-----	1
33	ENGANCHE CADENA IRIS 520 RXL	IRIS CHAIN HITCH		BT280310066	-----	1

GASGAS

Homo 1



Nº	DESCRIPCION	DESCRIPTION				125 / 250 / 280 / 300	Cant.
1	IMAN CTA.KMS IPLA00300	SPEEDO MAGNET				BT280234012	1
2	ULS 6X16	M6X16 ULS SCREW				T0506016	1
3	GRAPA SUJECION SENSOR CTA. KM. TRIAL 2006	SPEEDO SENSOR CLIP FIXING				BT280634053	1
4	SENSOR CUENTAKILOMETROS RUEDA TRASERA TRIAL	REAR WHEEL SPEEDO SENSOR TRIAL				BT280634050	1
5	MUELLE CABALLETE TRIAL HOMOL.	SPRING STAND TRIAL HOMOLOGATED				BT280310039H	1
6	EXCENTRICA CABALLETE TRIAL HOMOL.	ECCENTRIC HOMOLOGATED STAND TRIAL				BT280312025H	1

GASGAS

Homo 2