

# THE NEW GENERATION **ISUZU D-MAX**

RANGE BROCHURE



[isuzu.co.uk](http://isuzu.co.uk)

**ISUZU**  
**THE PICK-UP**  
**PROFESSIONALS**



# THE PICK-UP PROFESSIONALS

No-one knows pick-ups like we do: not an arrogant boast, just a simple statement of fact.

Pick-ups are all that we make. Family saloons, sports cars and people carriers do not distract us. It's a single-minded focus that means we make outstanding vehicles that are truly fit for purpose.

To guarantee this, we work as professionals, with professionals: real people with real demands. From the agricultural heartland of Britain to the Dakar Rally: the invaluable experience we've gained ensures that the Isuzu D-Max never says no to a challenge.

This understanding, coupled with the skills and experience gained from making commercial vehicles since 1916 means we can truly call ourselves the Pick-Up Professionals.

The Isuzu D-Max range features a variety of trim levels, each carefully crafted to offer you incredible capability and choice. A collection of no-compromise vehicles for work and for life. Tough but comfortable: built to go the distance.





# THE NEW GENERATION ISUZU D-MAX

We are the pick-up professionals: nothing more, nothing less. Every dial, every rivet, every part: all 100% authentic. Just straight talking, no-nonsense, hardworking vehicles.

All we do is now brand new. All our knowledge, all our experience: all brought to bear in the new generation Isuzu D-Max.

It's our best ever, most complete working package. Find out more at [isuzu.co.uk](http://isuzu.co.uk)

THE **ONLY** PICK-UP THAT OFFERS:

**5** YEAR  
125,000  
MILE  
WARRANTY

**3.5**  
TONNES  
TOWING  
CAPACITY

— OVER —  
**1.1**  
TONNE  
PAYLOAD

**164**  
PS

— OVER —  
**40**  
MPG  
COMBINED

**EURO 6**  
**NO**  
ADBLUE

**6** YEAR  
ANTI-CORROSION  
WARRANTY

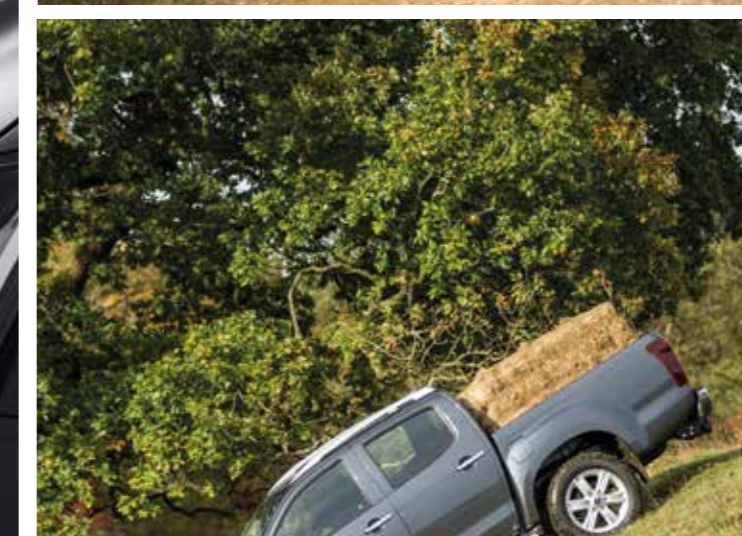
**5** YEAR  
UK & EU  
ROADSIDE  
ASSISTANCE

#Over 40 MPG figure applies to the manual transmission models. For model specific figures please visit [isuzu.co.uk](http://isuzu.co.uk). MPG figures are official EU test figures for comparative purposes and may not reflect real driving results. Official fuel figures for the Isuzu D-Max range in mpg (l/100km): Urban 30.4 - 38.7 (9.3-7.3). Extra Urban 40.9 - 50.4 (6.9 - 5.6). Combined 36.2 - 45.6 (7.8 - 6.2). CO2 emissions 163 - 205g/km. \*3.5 tonne towing applies to all 4x4 models. \*\*125,000 miles/5 year (whichever comes first) warranty applies to all new Isuzu D-Max models.



†Only available for Isuzu D-Max Yukon and Utah models. ‡Only available on Isuzu D-Max Utah and Blade models. Model shown is an Isuzu D-Max Utah. Specification varies according to version.





# THE ULTIMATE **ALL ROUNDER**

Over time, the dominant characteristics of the Isuzu D-Max have been refined and developed to continually strengthen its all round performance. And recent improvements have further reinforced the Isuzu D-Max as being the right choice for professionals who need a workhorse they can rely on.



## ENGINE

The 1.9 litre turbo diesel engine is not only much lighter than its predecessor, but also much livelier, delivering 164PS and 360Nm of torque.

The Isuzu D-Max is capable of over 40.4MPG combined and meets Euro 6 emissions standards without the need for AdBlue.

## TRANSMISSION

The new Isuzu D-Max is equipped with either a 6-speed manual or 6-speed automatic transmission. The automatic transmission features a gear change control learning function that can automatically adapt gear changes to suit driving circumstances.

## PAYLOAD

A reduction in kerb weight has improved payload considerably, with a maximum payload of up to 1,126kg on Double Cab models.

## PULLING POWER

Every 4x4 model in the Isuzu D-Max range is able to tow the legal maximum of 3.5 tonnes.

## HILL START ASSIST & HILL DESCENT CONTROL

Stay in control with two systems that help negotiate hills smoothly and safely.





READY TO  
**WORK**

Designed to be up to the challenge, whatever conditions it might face, the Isuzu D-Max has a powerful presence reflecting its powerful performance.



#### LED DAYTIME RUNNING LIGHTS

High-level response and better light distribution improves visibility and power efficiency.

#### REFINED TAILGATE

Reshaped with a spoiler design moulded into the top section, the tailgate features a newly designed handle which incorporates a reversing camera from Yukon level.

#### ALLOY WHEELS

Premium range vehicles are all equipped with new style alloy wheels. The new 6-spoke, 18" alloy wheels come in chrome on Yukon and Utah, and dark grey on Blade, plus a full size spare wheel is standard on all new Isuzu D-Max models.

#### MORE AERODYNAMIC

A streamlined silhouette and roof reduces drag, improving fuel economy, performance and minimising cabin noise.

#### COMPLETELY REDESIGNED FRONT

The front bumper, bonnet and radiator grille have been redesigned to create a sporty and powerful exterior.





## CAPABLE YET **COMFORTABLE**

A powerful vehicle doesn't have to be uncomfortable. Inside, the Isuzu D-Max offers a range of creature comforts such as Bluetooth® connectivity, cruise control\* and a reversing camera,\* meaning that you never have to compromise. Plus, the new engine generates less noise and vibration making the Isuzu D-Max range considerably quieter.

\*According to version





# RANGE OVERVIEW



UTILITY	EIGER Utility plus:	YUKON Eiger plus:	UTAH Yukon plus:	BLADE Utah plus:
Projector Headlights	Reversing Camera	7" Multifunction Colour Touchscreen	Keyless Entry & Push Button Start System	9" Multifunction Colour Touchscreen
LED Daytime Running Lights	16" Alloy Wheels	8 Speakers (Double Cab)	Satellite Navigation	HDMI Port
Hill Start Assist	Folding, Heated Chrome Door Mirrors with Side Indicator Repeaters	Multi-Information Display	Shark Fin Antenna	Front & Rear Parking Sensors
Hill Descent Control	Chrome Door Handles	Leather Steering Wheel	DAB Radio	Tinted Windows
Full Size Spare wheel	Body Coloured Front Bumper	Steering Wheel Mounted Audio & Cruise Controls	Apple CarPlay™ & Android Auto™	Gun Metal Side Steps
Power Windows	Lockable Tailgate	18" Alloy Wheels	Leather Upholstery	Illuminated Aluminium Door Sill Covers
Remote Control Central Locking	Height Adjustable Driver's Seat (Manual)	Front Fog Lights	Heated Front Seats	Illuminated Front Footwells
Manual Air Conditioning	CD Player	Rear Load Liner	Height Adjustable Driver's Seat (Electric)	"Blade" Puddle Lamps
RDS Radio	6 Speakers	Silver Side Steps	Automatic Air Conditioning	Folding, Heated Cosmic Black Door Mirrors with Side Indicator Repeaters
Bluetooth® Connectivity	Front & Rear USB Port		Roof Bars	Tailgate Damper
USB Port	Map Lights		Remote Locking Tailgate	Colour-coded Aeroklas Canopy includes:
Two 12-Volt Power Outlets	Carpet Floor Trim		Rear Parking Sensors	• Wide Opening Tailgate (upper section)
ABS (Anti-lock Braking System)	Soft Pad Armrests		NB. CD Player Optional	• Remote Locking for Tailgate (upper section)
ESC (Electronic Stability Control)	Rear Centre Armrest			• Heated Rear Windscreen
EBD (Electronic Brakeforce Distribution)	Alarm			• Roof Spoiler
Insurance Approved Immobiliser				NB. Height Adjustable Driver's Seat (Manual) CD Player Optional

# COLOURS



Splash White



Titanium Silver Met



Obsidian Grey Mica (New)



Tundra Mica Green



Venetian Red Mica



Nautilus Blue Mica



Cosmic Black Mica



Pearl White

## EIGER, YUKON & UTAH










## THE PRACTICAL SOLUTION

The Isuzu D-Max Utility range comes with the following standard specification:

- EXTERIOR**
  - Projector Headlights
  - LED Daytime Running Lights
  - Grey Radiator Grille
  - Black Door Mirrors and Door Handles
- WHEELS**
  - 15" or 16" Steel Wheels
  - Full Size Spare Wheel – Steel
- INTERIOR**
  - Cloth Upholstery
  - Height Adjustable Front Headrests
  - Front Cup Holders (Centre Console & Dash)
  - Vinyl Floor Covering
- COMFORT & CONVENIENCE**
  - Power Windows
  - Remote Control Central Locking
  - Two 12-Volt Power Outlets (Top Glove Box & Instrument Panel)
  - Manual Air Conditioning
- SAFETY & SECURITY**
  - ABS, ESC & EBD
  - Brake Assist System
  - Hill Start Assist & Hill Descent Control
  - Front, Side & Curtain SRS Airbags
- ENTERTAINMENT**
  - Bluetooth® Connectivity
  - RDS Radio
  - Two Door Mounted Speakers
  - USB Port
- COLOURS**
  -   
 Splash White
  -   
 Titanium Silver Met
  -   
 Obsidian Grey Mica
  -   
 Tundra Green Mica

# UTILITY

You have work to do, and the Isuzu D-Max Utility range lets you get on with it.

Powered by an all-new Euro 6 turbo diesel engine and with the choice of three cab configurations, you can comfortably get through the day – day after day. And if you think all-wheel drive is a luxury you don't need, we have a 4x2 option that works for you.



**Available in manual transmission as:**

- 4x2 Single Cab
- 4x4 Single Cab
- 4x4 Extended Cab
- 4x4 Double Cab







## MAKES LIGHT OF HARD WORK

The Isuzu D-Max Eiger comes with the following specification:

### EXTERIOR

- Medium Grey Radiator Grille
- Body Coloured Front Bumper
- Folding, Heated, Chrome Door Mirrors with Side Indicator Repeaters
- Chrome Door Handles
- Heated Rear Screen

### WHEELS

- 16" Alloy Wheels with Locking Wheel Nuts
- Full Size Spare Wheel – Steel

### INTERIOR

- Cloth Upholstery
- Height Adjustable Driver's Seat (Manual)
- Flat Folding Rear Seats with Under Seat Base Storage
- Carpet Floor Trim

### COMFORT & CONVENIENCE

- Front & Rear Power Windows
- Remote Control Central Locking
- Map Lights
- Manual Air Conditioning

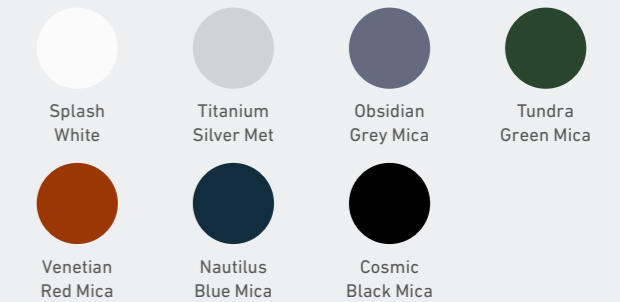
### SAFETY & SECURITY

- Hill Start Assist & Hill Descent Control
- Alarm
- ISOFIX Child Seat Anchors with Top Tether Anchors
- Reversing Camera

### ENTERTAINMENT

- Bluetooth® Connectivity
- CD Player
- Six Speakers (2 Front Door, 2 x Rear Door & 2 x Tweeters)
- Front & Rear USB Ports
- RDS Radio

### COLOURS



# EIGER

Not afraid of putting in the hours, the Eiger Double Cab gives you features and choices that make the working day go that much easier.

Manual or automatic transmission, reversing camera and a height adjustable driver's seat are just some of the convenient features in this model. Plus a body coloured front bumper, 16" alloy wheels and heated chrome door mirrors mean you end the day looking as good as when you started.







## ENJOY GETTING YOUR WORK DONE

The Isuzu D-Max Yukon comes with the following specification:

### EXTERIOR

- Front & Rear Fog Lights
- Silver Side Steps
- Rear Load Liner
- Bright Chrome Radiator Grille

### WHEELS

- 18" Alloy Wheels with Locking Wheel Nuts
- Full Size Spare Wheel – Alloy

### INTERIOR

- Cloth Upholstery
- Leather Steering Wheel
- Height Adjustable Driver's Seat (Manual)
- Under Seat Base Storage

### COMFORT & CONVENIENCE

- Remote Control Central Locking
- Steering Wheel Mounted Audio & Cruise Controls
- Multi-Information Display
- Manual Air Conditioning

### SAFETY & SECURITY

- Hill Start Assist & Hill Descent Control
- ISOFIX Child Seat Anchors with Top Tether Anchors (Double Cab)
- Reversing Camera
- Alarm

### ENTERTAINMENT

- 7" Multifunction Colour Touchscreen
- Bluetooth® Connectivity
- CD Player
- Front & Rear USB Ports

### COLOURS



# YUKON

The Yukon is a pick-up you'll feel very comfortable working with.

Available as an Extended or Double Cab with a 7" multifunction colour touchscreen and a rear load liner to help with the hard stuff. A six or eight speaker (depending on model) sound system, leather steering wheel with built in audio and cruise controls and map lights all to help make the working day less stressful.







## COMFORT THAT WORKS

The Isuzu D-Max Utah comes with the following specification:



### EXTERIOR

- Bright Chrome Radiator Grille
- Folding & Heated Chrome Door Mirrors
- Shark Fin Antenna
- Roof Bars
- Rear Load Liner



### WHEELS

- 18" Alloy Wheels with Locking Wheel Nuts
- Full Size Spare Wheel – Alloy



### INTERIOR

- Leather Upholstery
- Height Adjustable Driver's Seat (Electric)
- Heated Front Seats
- Leather Steering Wheel



### COMFORT & CONVENIENCE

- Keyless Entry & Push Button Start System
- Multi-Information Display
- Steering Wheel Mounted Audio & Cruise Controls
- Automatic Air Conditioning



### SAFETY & SECURITY

- Alarm
- Rear Parking Sensors
- Reversing Camera

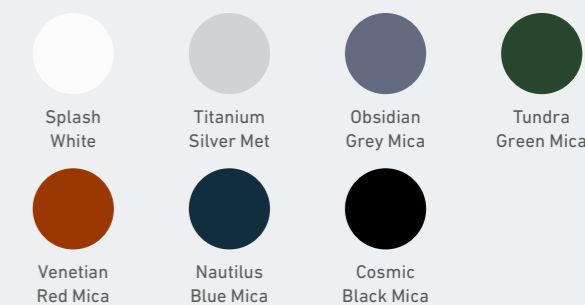


### ENTERTAINMENT

- 7" Multifunction Colour Touchscreen
- DAB Radio
- Apple CarPlay™ & Android Auto™
- Satellite Navigation
- Eight Speakers
- Front & Rear USB Ports



### COLOURS



# UTAH

The level of luxury you'll find in the Utah Double Cab combines work with pleasure.

Keyless entry, push button start, rear parking sensors, automatic air conditioning, heated front seats, leather upholstery, electric height adjustable driver's seat: they're not gimmicks, they're to help you concentrate on the job in hand. A lot of hard work has gone into making the Utah a luxury pick-up that serves a serious purpose.







## WORKS HARD. PLAYS HARDER

The Isuzu D-Max Blade comes with the following specification:



### EXTERIOR

- Tinted Windows
- Gun Metal Side Steps
- Tailgate Damper
- Colour Coded Aeroklas Canopy or Black Roller Cover with Rear Sports Bar



### WHEELS

- 18" Alloy Wheels with Locking Wheel Nuts
- Full Size Spare Wheel – Alloy



### INTERIOR

- Leather Upholstery
- Heated Front Seats
- Blade Branded Carpet Mats
- Illuminated Front Footwells, Illuminated Aluminium Door Sill Covers & 'Blade' Puddle Lamps



### COMFORT & CONVENIENCE

- Keyless Entry & Push Button Start System
- Steering Wheel Mounted Audio & Cruise Controls
- Automatic Air Conditioning



### SAFETY & SECURITY

- ISOFIX Child Seat Anchors with Top Tether Anchors
- Front & Rear Parking Sensors
- Reversing Camera
- Alarm



### ENTERTAINMENT

- 9" Multifunction Colour Touchscreen
- DAB Radio
- Apple CarPlay™ & Android Auto™
- Satellite Navigation
- HDMI Port
- Front & Rear USB Ports



### COLOURS



Pearl White



Cosmic Black

# BLADE

The Blade combines the ability to turn heads and put in a hard day's work.

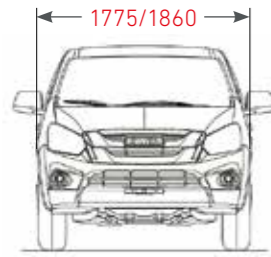
For all its stylish features; tinted windows, illuminated aluminium door sill covers and front footwells, 'Blade' puddle lamps, gun metal side steps, 18" alloy wheels, leather interior, this is no 'soft-roader'. Underneath it all, the Blade is as capable of getting the job done as any of our other pick-ups. It's for professionals who like to work in style.



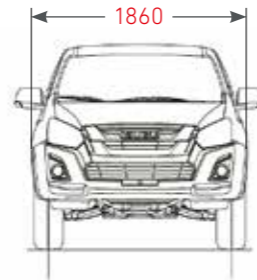


# DIMENSIONS & CAPACITIES

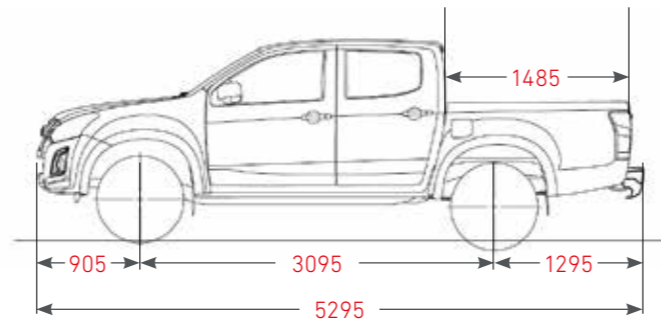
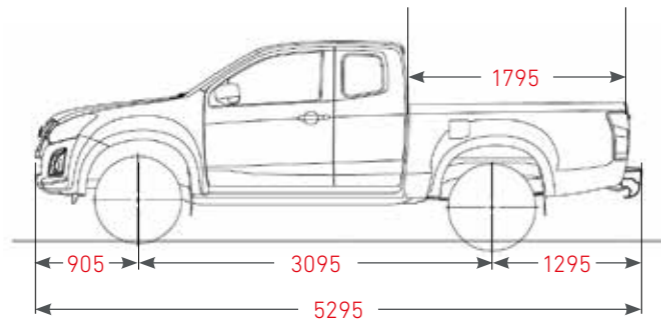
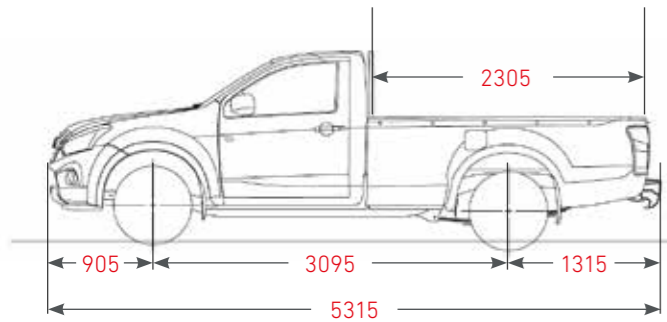
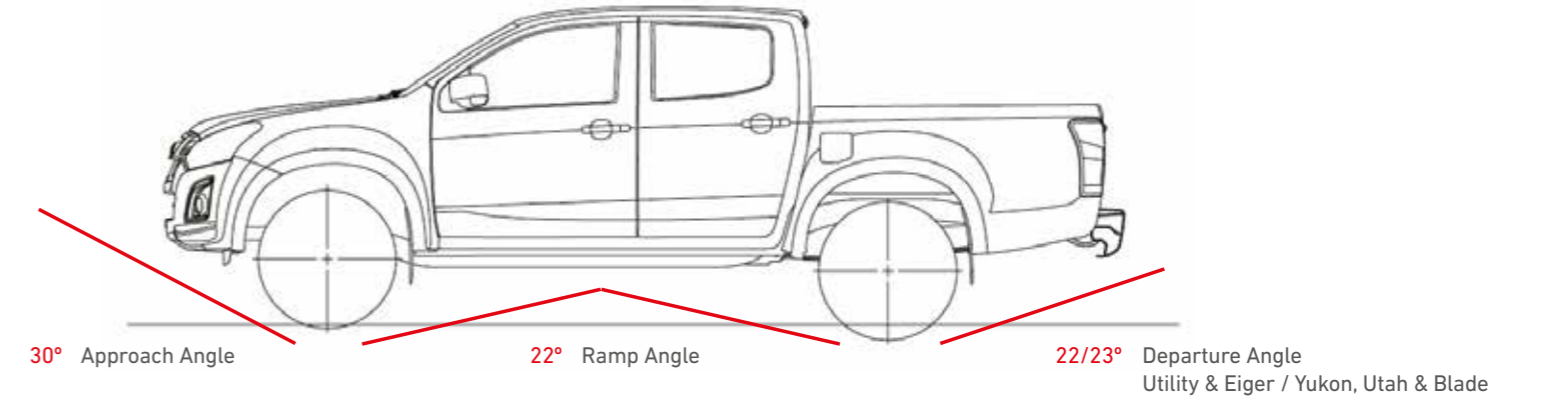
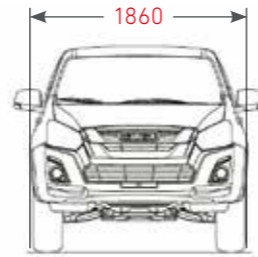
Single Cab  
Utility 4x2 / Utility 4x4



Extended Cab 4x4  
Utility / Yukon



Double Cab 4x4  
Utility & Eiger / Yukon, Utah & Blade



## Max Towing

4x2	2,500kg
4x4	3,500kg

## Departure Angle

Utility & Eiger	22°
Yukon, Utah & Blade	23°

## Turning Circle

4x2	11.8m
4x4	12.2m

## Ground Clearance (Rear Axle)

Utility & Eiger	225mm
Yukon, Utah & Blade	235mm

## Approach Angle

All Models	30°
------------	-----

## Tyres

4x2 Utility	215/70R15C
4x4 Utility & Eiger	245/70R16
4x4 Yukon, Utah & Blade	255/60R18

## Official Wading Depth

4x2	400mm
4x4	600mm

## Ramp Angle

All Models	22°
------------	-----

## Wheels

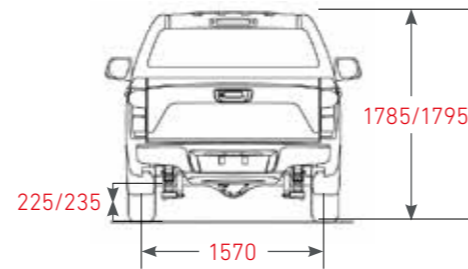
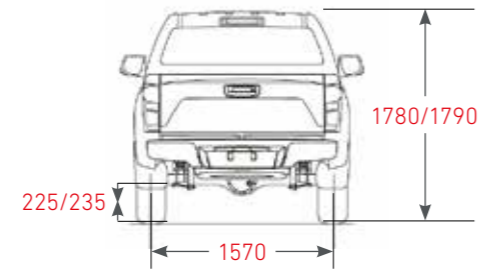
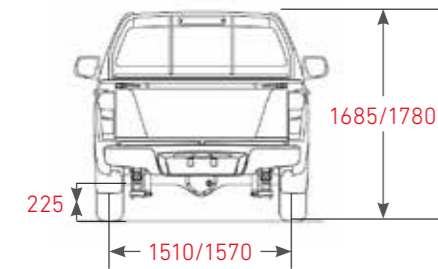
4x2 Utility	15x6.5 J
4x4 Utility & Eiger	16x7 J
4x4 Yukon, Utah & Blade	18x7 J

## Load Bed (Interior)

	Length	Width	Depth
Single Cab	2,305mm	1,570mm	440mm
Extended cab	1,795mm	1,530mm	465mm
Double Cab	1,485mm	1,530mm	465mm

## Tilt Angle

All Models (excluding 4x2)	49°
----------------------------	-----





# VEHICLE SPECIFICATIONS

	UTILITY 4x2 SINGLE CAB	UTILITY 4x4 SINGLE CAB	UTILITY EXTENDED CAB	UTILITY DOUBLE CAB	EIGER DOUBLE CAB	YUKON EXTENDED CAB	YUKON DOUBLE CAB	UTAH DOUBLE CAB	BLADE DOUBLE CAB
<b>EXTERIOR</b>									
Projector Headlights	■	■	■	■	■	■	■	■	■
LED Daytime Running Lights	■	■	■	■	■	■	■	■	■
LED Rear Lights	-	-	-	-	-	■	■	■	■
Front Fog Lights	-	-	-	-	-	■	■	■	■
Rear Fog Lights	■	■	■	■	■	■	■	■	■
Grey Radiator Grille	■	■	■	■	-	-	-	-	-
Medium Grey Radiator Grille	-	-	-	-	■	-	-	-	-
Bright Chrome Radiator Grille	-	-	-	-	-	■	■	■	-
Dark Grey Radiator Grille	-	-	-	-	-	-	-	-	■
Body Coloured Front Bumper	-	-	-	-	■	■	■	■	■
Black Rear Bumper	■	■	■	■	■	-	-	-	■
Black Rear Bumper with Chrome Trim	-	-	-	-	-	■	■	■	-
Silver Side Steps	-	-	-	-	-	■	■	■	-
Gun Metal Side Steps	-	-	-	-	-	-	-	-	■
Black Door Mirrors	■	■	-	-	-	-	-	-	-
Heated Black Door Mirrors	-	-	■	■	-	-	-	-	-
Folding, Heated, Chrome Door Mirrors with Side Indicator Repeaters	-	-	-	-	■	■	■	■	-
Folding, Heated, Cosmic Black Door Mirrors with Side Indicator Repeaters	-	-	-	-	-	-	-	-	■
Black Door Handles	■	■	■	■	-	-	-	-	-
Chrome Door Handles	-	-	-	-	■	■	■	■	■
Heated Rear Screen	-	-	■	■	■	■	■	■	■
Integrated Fuel Filler Cap	■	■	■	■	■	■	■	■	■
Shark Fin Antenna	-	-	-	-	-	-	-	■	■
Rear Load Liner	-	-	-	-	-	■	■	■	■
Roof Bars	-	-	-	-	-	-	-	■	■
Tailgate Damper	-	-	-	-	-	-	-	-	■
Tinted Windows	-	-	-	-	-	-	-	-	■
Colour Coded Aeroklas Canopy*1 or Black Roller Cover with Rear Sports Bar	-	-	-	-	-	-	-	-	■
<b>WHEELS</b>									
15" Steel Wheels	■	-	-	-	-	-	-	-	-
16" Steel Wheels	-	■	■	■	-	-	-	-	-
16" Alloy Wheels	-	-	-	-	■	-	-	-	-
18" Alloy Wheels	-	-	-	-	-	■	■	■	■
Locking Wheel Nuts	-	-	-	-	■	■	■	■	■
Full Size Spare Wheel - Steel	■	■	■	■	■	-	-	-	-
Full Size Spare Wheel - Alloy	-	-	-	-	-	■	■	■	■

\*1 Aeroklas Canopy includes: wide opening tailgate (upper section), remote locking for tailgate (upper section), heated rear windscreen & roof spoiler.

	UTILITY 4x2 SINGLE CAB	UTILITY 4x4 SINGLE CAB	UTILITY EXTENDED CAB	UTILITY DOUBLE CAB	EIGER DOUBLE CAB	YUKON EXTENDED CAB	YUKON DOUBLE CAB	UTAH DOUBLE CAB	BLADE DOUBLE CAB
<b>INTERIOR</b>									
Cloth Upholstery	■	■	■	■	■	■	■	-	-
Leather Upholstery	-	-	-	-	-	-	-	■	■
Height Adjustable Driver's Seat (Manual)	-	-	-	-	■	■	■	-	■
Height Adjustable Driver's Seat (Electric)	-	-	-	-	-	-	-	■	-
Heated Front Seats	-	-	-	-	-	-	-	■	■
Front Seatback Map Pockets	-	-	-	-	■	■	■	■	■
Flat Folding Rear Seats	-	-	-	■	■	-	■	■	■
60/40 Folding Seat Base	-	-	-	■	■	-	■	■	■
Under Seat Base Storage	-	-	■	■	■	■	■	■	■
Height Adjustable Front Headrests	■	■	■	■	■	■	■	■	■
Height Adjustable Rear Headrests	-	-	-	■	■	-	■	■	■
Leather Steering Wheel	-	-	-	-	-	■	■	■	■
Front Centre Armrest	■	■	■	■	■	■	■	■	■
Front Cup Holders (Centre Console & Dash - Driver & Passenger Sides)	■	■	■	■	■	■	■	■	■
Front Door Pockets with Bottle Holder	■	■	■	■	■	■	■	■	■
Rear Cup Holder (in Centre Console)	-	-	-	-	-	-	-	■	■
Rear Centre Armrest	-	-	-	-	■	-	■	■	■
Rear Door Pockets with Bottle Holder	-	-	-	■	■	-	■	■	■
Vinyl Floor Covering	■	■	■	■	-	-	-	-	-
Carpet Floor Trim	-	-	-	-	■	■	■	■	■
Blade Branded Carpet Mats	-	-	-	-	-	-	-	-	■
Driver's Foot Rest	■	■	■	■	■	■	■	■	■
Illuminated Front Footwells, Illuminated Aluminium Door Sill Covers & 'Blade' Puddle Lamps	-	-	-	-	-	-	-	-	■
<b>COMFORT &amp; CONVENIENCE</b>									
Power Windows (Front Only)*2	■	■	■	-	-	■	-	-	-
Power Windows (Front & Rear)*2	-	-	-	■	■	-	■	■	■
Remote Control Central Locking	■	■	■	■	■	■	■	■	■
Keyless Entry & Push Button Start System	-	-	-	-	-	-	-	■	■
Map Lights	-	-	-	-	■	■	■	■	■
Driver & Passenger Sun Visors	■	■	■	■	-	-	-	-	-
Driver & Passenger Sun Visors with Passenger Vanity Mirror	-	-	-	-	■	■	■	■	■
Sunglass Holder / Overhead Console	-	-	-	-	-	■	■	■	■
Height Adjustable Steering Wheel	■	■	■	■	■	■	■	■	■
Steering Wheel Mounted Audio & Cruise Controls	-	-	-	-	-	■	■	■	■
Two 12-Volt Power Outlets (Top Glove Box & Instrument Panel)*3	■	■	■	■	■	■	■	■*3	■*3
Low Fuel Warning Light	■	■	■	■	■	■	■	■	■
Gear Shift Indicator (Manual Only)	■	■	■	■	■	■	■	■	■
Multi-Information Display	-	-	-	-	-	■	■	■	■
<b>CLIMATE CONTROL</b>									
Manual Air Conditioning	■	■	■	■	■	■	■	-	-
Automatic Air Conditioning	-	-	-	-	-	-	-	■	■
Rear Heating Ducts	-	-	-	-	■	-	■	■	■

\*2 Driver side has auto up/down function, with pinch protection and timer. \*3 The second 12-volt socket (cigarette lighter at base of instrument panel) will be available from 2018 production.







## TECHNICAL SPECIFICATIONS

	UTILITY 4x2 SINGLE CAB	UTILITY 4x4 SINGLE CAB	UTILITY EXTENDED CAB	UTILITY DOUBLE CAB	EIGER DOUBLE CAB	EIGER DOUBLE CAB (AUTO)	YUKON EXTENDED CAB	YUKON DOUBLE CAB	YUKON DOUBLE CAB (AUTO)	UTAH DOUBLE CAB	UTAH DOUBLE CAB (AUTO)	BLADE DOUBLE CAB	BLADE DOUBLE CAB (AUTO)
<b>DIMENSIONS</b>													
Length mm	5315	5315	5295	5295	5295	5295	5295	5295	5295	5295	5295	5295	5295
Width mm	1775	1860	1860	1860	1860	1860	1860	1860	1860	1860	1860	1860	1860
Height mm	1685	1780	1780	1785	1785	1785	1790	1795	1795	1795	1795	1795	1795
Front Overhang mm	905	905	905	905	905	905	905	905	905	905	905	905	905
Rear Overhang mm	1315	1315	1295	1295	1295	1295	1295	1295	1295	1295	1295	1295	1295
Wheelbase mm	3095	3095	3095	3095	3095	3095	3095	3095	3095	3095	3095	3095	3095
Track (Front & Rear) mm	1510	1570	1570	1570	1570	1570	1570	1570	1570	1570	1570	1570	1570
Ground Clearance mm (Rear Axle)	225	225	225	225	225	225	235	235	235	235	235	235	235
Approach Angle (deg.)	30	30	30	30	30	30	30	30	30	30	30	30	30
Departure Angle (deg.)	22	22	22	22	22	22	23	23	23	23	23	23	23
Ramp Angle (deg.)	22	22	22	22	22	22	22	22	22	22	22	22	22
<b>WEIGHTS</b>													
Kerb Weight kg	1718	1854	1909	1944	1924	1929	1909	1944	1949	1954	1959	1944	1949
Gross Vehicle Weight kg	3000	3050	3050	3050	3050	3050	3050	3050	3050	3050	3050	3050	3050
Payload kg	1282	1196	1141	1106	1126	1121	1141	1106	1101	1096	1091	1106	1101
Max Front Axle kg	1250	1350	1350	1350	1350	1350	1350	1350	1350	1350	1350	1350	1350
Max Rear Axle kg	1870	1870	1870	1870	1870	1870	1870	1870	1870	1870	1870	1870	1870
Trailer Weight Braked kg	2500	3500	3500	3500	3500	3500	3500	3500	3500	3500	3500	3500	3500
Trailer Weight Unbraked kg	750	750	750	750	750	750	750	750	750	750	750	750	750
Nose Weight kg	100	245	245	245	245	245	245	245	245	245	245	245	245
Gross Train Weight kg	5500	6000	6000	6000	6000	6000	6000	6000	6000	6000	6000	6000	6000
<b>WHEELS &amp; TYRES</b>													
Tyres	215/70R15C	245/70R16	245/70R16	245/70R16	245/70R16	245/70R16	255/60R18	255/60R18	255/60R18	255/60R18	255/60R18	255/60R18	255/60R18
Wheels	15x6.5 J	16x7 J	16x7 J	16x7 J	16x7 J	16x7 J	18x7 J	18x7 J	18x7 J	18x7 J	18x7 J	18x7 J	18x7 J
<b>INSURANCE GROUPS</b>													
	39A	39A	39A	39A	39A	39A	40A	Yukon: 39A Nav+: 40A	40A	40A	40A	40A	40A

## CREATE YOUR OWN

We stock an extensive range of accessories specifically designed for your Isuzu D-Max.

Visit [isuzu.co.uk/accessories](https://www.isuzu.co.uk/accessories) to see the full range and download an accessories brochure.







[isuzu.co.uk](http://isuzu.co.uk)

Isuzu (UK) LTD reserve the right to change specifications and equipment without notice. Features and specification may vary in appearance and/or availability. For full details please contact your local Isuzu dealer or visit [isuzu.co.uk](http://isuzu.co.uk)

Part No. IB521

**ISUZU**  
**THE PICK-UP**  
**PROFESSIONALS**